

N-Series Superior Night Vision 1.3 Megapixel Vandal Dome Network Camera

VD-130Np Series

Smart Focus® / WDR Enhancement®

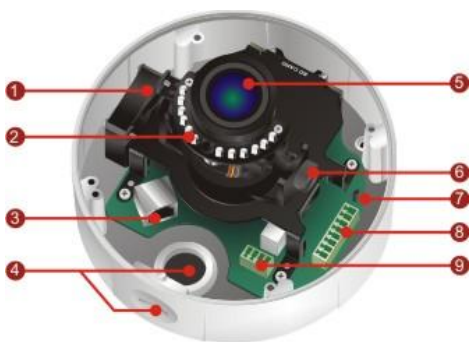


- N-Series Sony Exmor 1.3M Outdoor Dome Camera
- **SmartFocus®** to Ease the Zoom and Focus Adjustment Remotely
- Motorized Lens / Vari-Focal Lens for Variable Needs
- Brickcom **WDR Enhancement®** technology inside
- HDTV Quality (720p @ 30fps)
- **Intelligent Multi-Profile Sensor Management®** for Different Environments
- Removable IR-cut Filter /Auto Light Sensor for Day and Night
- 1 DI/DO for External Alarm and Sensor Device
- Built-in IR Illuminators, effective up to 10 Meters
- Two-way Audio/Built-in SD/SDHC Memory Card Slot for Local Storage
- Vandal-Proof and Weather-Proof.(IP67)
- Built-In Fan (-40°C ~ 60°C) and Heater
- Power over Ethernet

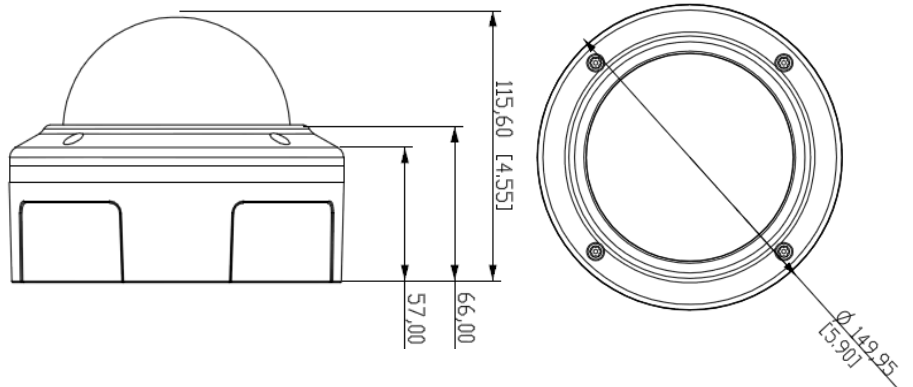


ONVIF

Photo Indication & Dimension Diagram



- 1 Fan
- 2 LEDs (12 pcs)
- 3 RJ45 Connector
(for Ethernet and High Power PoE)
- 4 Conduit Plug and Hole
- 5 LENS
- 6 Tilt Screw
- 7 Reset Button
- 8 Terminal Block (for Audio in/out, DI/DO)
- 9 Terminal Block (for DC12V Power)
- 10 SD /SDHC Card Slot



Camera

| | |
|-----------------------------|---|
| Models | VD-130Np 1.3M, Motorized Lens VD-132Np 1.3M, Vari-Focal Lens |
| Hardware System | CPU: 500 MHz Flash: 16M RAM: 128M DDR |
| Image Sensor | Sensor Type : 1/3" Sony Exmor Sensor Sensor Resolution : 1280x1024/HDTV |
| Lens | Lens Type: Board Lens Focal Length: 3mm(W)~9mm(T) Iris: F1.2(W)~F2.7(T) View Angle: (H): 90°(W)~30°(T)/(V): 70°(W)~22°(T) (D):115°(W)~38°(T) |
| Minimum Illumination | 0 Lux (IR ON, BW) 0.008 Lux (IR OFF, BW) 0.01 Lux (F1.2 , Color) |
| Day & Night ICR | Triggered by Light sensor, Scheduling, Digital Input |
| IR Illuminators | Built –In IR Illuminators, effective up to 10 meters IR LED: 12 pcs(850nm) |
| Local Storage | Built-in SD/SDHC Memory Card Slot |

Video

| | |
|--------------------------------|---|
| Video Image Compression | H.264 / MPEG4 / MJPEG Simultaneous multiple streams |
| Video Setting | Multi-Profile Image Management: Day/ Night/ Sunset/ User 1/ User 2 Auto Exposure/ Gain/ White Balance Control Manual Exposure Control: 1/32000 s ~ 1 s Manual Gain Control: 1X~5X Manual White Balance Control:2000K~7000K |
| S/N Ratio | Above 50dB |
| Image Resolution | 1.3M -1280x1024@25fps 1M -1280x720@30fps |

Events and Alarm Management

| | |
|---------------|--|
| Events | Motion Detection Schedule Audio Detection Digital Input |
| Alarm | Stream/Snapshot to FTP/Email/Samba/SD-Card HTTP/Email Notification |

Audio

| | |
|----------------------------|--|
| Audio Streaming | 2-way Audio Support |
| Audio Compression | G.711, AMR (8 kHz, Mono, PCM) |
| Audio Input/ Output | Line In(Unbalanced, 1.4 Vp-p, 1 Vrms)/ Line Out |

General

| | |
|---|--|
| Communication | Ethernet : one 10/100Mbps RJ-45 Supported Protocols : TCP/IP, UDP, ICMP, DHCP, NTP, DNS, DDNS, SMTP, FTP, HTTP, Samba, PPPoE, UPnP, RTP, RTSP, RTCP, IPv6 |
| Power Input/ Operating Temperature | PoE 802.3 af/ DC12V 1A : -20°C ~ 60°C (-4°F ~140°F) High Power PoE(802.3at) (build in fan and heater): -40°C ~ 60°C (-40°F ~140°F) |
| Max. Power Consumption | VD-130Np 10 Watts (DC12V 1A) /12.5 Watts(802.3af) 25 Watts (802.3at) VD-132Np 8 Watts (DC12V 1A) /10 Watts(802.3af) 23 Watts (802.3at) |
| Environment | Water Proof: IP67 Operating Humidity : 10% ~ 80% |
| Dimension | 113.75 (D) mm X 144.25(H) mm |
| Viewing System Requirements | OS: Microsoft Windows 7/Vista/XP/2000 Browser: Mozilla Firefox, Internet Explorer 6/7 or above, Safari, Google Chrome Cell Phone: 3GPP player Real Player: 10.5 or above Quick Time: 6.6 or above VLC |
| Weight | 860g/1.90lb |
| Certification | FCC, CE, IK10 |
| Warranty | Limited 2-year warranty |

| VD-130N Series | VD-130Np | VD-132Np |
|------------------------|------------------------|-------------------------------------|
| Lens Type | Motorized-Lens | Vari-Focal-Lens |
| Operating Temperature; | DC12V 1A/ PoE 802.3 af | -20°C ~ 60°C ; 10 Watts/ 12.5 Watts |
| Max. Power Consumption | PoE 802.3 at | -40°C ~ 60°C; 25 Watts |
| | | -40°C ~ 60°C; 23 Watts |

Work Best With

Camera Accessories Options



L-WM-01
Camera Bracket



POE30U
High Power PoE Injector

Network Equipment Options



PS-588I
8-port 10/100M PoE Fast Ethernet Switch



PS-7242IL-AF
24-port 10/100M PoE Web Smart Ethernet Switch