

## AXIS 243SA Video server

Full featured, digital benefits for analog video surveillance systems.



- > Full frame rate in MPEG-4 and Motion JPEG
- > Video motion detection
- > Comprehensive security features
- > Two-way audio support
- > Support for PTZ and dome cameras

AXIS 243SA Video Server is designed to migrate analog systems into high-performance, IP-based solutions. This one-channel video server is the ideal choice for casinos, airports, traffic surveillance and prisons – anywhere an analog surveillance system is already installed and full frame rate is needed.

AXIS 243SA enables high resolution, full frame rate video surveillance and remote monitoring in MPEG-4 and Motion JPEG. It converts analog video into high quality, de-interlaced digital video, and can deliver the highest resolution, 4CIF, at 30/25 (NTSC/PAL) frames per second.

Event handling comprises a number of advanced functionalities such as video motion detection, image upload, scheduled and triggered event functionality with alarm notification.

A comprehensive set of security features, including multiple user access levels, HTTPS encryption and IP address filtering, ensures secure video handling and configuration.

The integrated two-way audio support enables identification of suspicious behavior and communication of orders or requests.

Pan/tilt/zoom and dome cameras may be connected to the unit's serial port and are easily controlled from a user interface

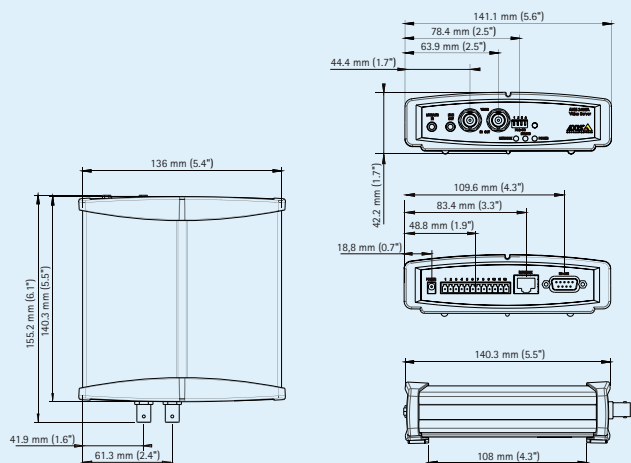


## Technical specifications – AXIS 243SA Video server

Video encoder		System integration	
<b>Video compression</b>	MPEG-4 Part 2 (ISO/IEC 14496-2) Motion JPEG	<b>Application Programming Interface</b>	Open API for software integration, including VAPIX® from Axis Communications available at <a href="http://www.axis.com">www.axis.com</a>
<b>Resolutions</b>	704x576 to 160x120	<b>Intelligent video</b>	Video motion detection, active tampering alarm, audio detection
<b>Frame rate MPEG-4</b>	30/25 (NTSC/PAL) fps in all resolutions	<b>Alarm triggers</b>	Intelligent video, external inputs, product restart, video loss
<b>Frame rate Motion JPEG</b>	30/25 (NTSC/PAL) fps in all resolutions	<b>Alarm events</b>	File upload via FTP, HTTP and email Notification via email, HTTP and TCP External output activation PTZ presets Local storage
<b>Video streaming</b>	Simultaneous MPEG-4 and Motion JPEG Controllable frame rate and bandwidth VBR/CBR MPEG-4	<b>Video buffer</b>	9 MB pre- and post-alarm
<b>Image settings</b>	Compression, color Rotation: 90°, 180°, 270° Aspect ratio correction Text and image overlay Privacy mask Deinterlace filter	<b>Pan/Tilt/Zoom</b>	Wide range of analog PTZ cameras supported (drivers available for download at <a href="http://www.axis.com">www.axis.com</a> ) 20 presets, guard tour, PTZ control queue Supports Windows compatible joysticks
Audio		General	
<b>Audio streaming</b>	Two way, full or half-duplex	<b>Casing</b>	Metal casing. Standalone, stackable or with brackets for wall or cage mount
<b>Audio compression</b>	G.711 PCM 8 kHz 64 kbit/s G.726 ADPCM 8 kHz 32 or 24 kbit/s	<b>Processors and memory</b>	ETRAX 100LX, ARTPEC-2, 32 MB RAM, 8 MB Flash
<b>Audio input/output</b>	External microphone input or line input Line level output	<b>Power</b>	7 – 20 V DC, max. 8 W
Network		<b>Connectors</b>	Analog composite video NTSC/PAL auto-sensing: 1 BNC input, 1 BNC output (loopthrough) or Y/C video input RJ-45 10BASE-T/100BASE-TX I/O terminal block for four alarm inputs and four alarm outputs, RS-485, alternative power connection D-sub for RS-232 3.5 mm mic/line in, 3.5 mm line out
<b>Security</b>	Password protection, IP address filtering, HTTPS encryption, IEEE 802.1X network access control	<b>Operating conditions</b>	5 – 50 °C (41 – 122 °F) Humidity 20 – 80% RH (non-condensing)
<b>Supported protocols</b>	IPv4/v6, HTTP, HTTPS, QoS layer 3 DiffServ, FTP, SMTP, Bonjour, UPnP, SNMPv1/v2c/v3(MIB-II), DNS, DynDNS, RTSP, RTP, TCP, UDP, IGMP, RTCP, ICMP, DHCP, ARP, SOCKS	<b>Approvals</b>	EN 55022 Class B, EN 61000-3-2, EN 61000-3-3, EN 55024, FCC Part 15 Subpart B Class B, ICES-003 Class B, VCCI Class B, C-tick AS/NZS CISPR 22, EN 60950-1 Power supply: EN 60950-1, UL, cUL
		<b>Weight</b>	540 g (1.2 lb.)
		<b>Included accessories</b>	Power supply, mounting and connector kits, Installation Guide, CD with installation and management tools, software and User's Manual, 1 Windows decoder user license

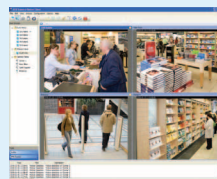
More information is available at [www.axis.com](http://www.axis.com)

### Dimensions



### Optional accessories

AXIS T8310 Video Surveillance Control Board



For information on AXIS Camera Station and video management software from Axis' Application Development Partners, see [www.axis.com/products/video/software/](http://www.axis.com/products/video/software/)