

AXIS M7001 Video Encoder and Covert Surveillance Kit

The smallest video encoder with H.264.



- > Compact and cost-effective
- > Full frame rate in all resolutions
- > Simultaneous H.264 and Motion JPEG
- > PTZ support
- > Power over Ethernet

The one-channel AXIS M7001 Video Encoder offers a highly compact design with superb H.264 performance, providing an easy and cost-effective solution for integrating small or large numbers of analog CCTV cameras into an IP-based video surveillance system.

The palm-sized, standalone AXIS M7001 is designed for installation close to an analog camera. It supports all types of analog cameras including PTZ (pan/tilt/zoom) and PTZ domes.

AXIS M7001 is perfect for small and large analog video installations, especially where an IP network infrastructure is already in place. Its small size also makes it ideal for use in discreet surveillance applications, for example, in retail stores and banks, and in camera housings.

AXIS M7001 can deliver two simultaneous video streams, one in H.264 and another in Motion JPEG, at full frame rate in all resolutions up to D1 (720x480 in NTSC, 720x576 in PAL).

The H.264 video compression format drastically reduces bandwidth and storage requirements without compromising image quality. Motion JPEG is supported for increased flexibility. The video encoder also provides video motion detection.

AXIS M7001 is powered over Ethernet using the same cable as for data transmission, which simplifies installation. The video encoder can, in turn, feed power to the small covert camera that is included in the AXIS M7001 Covert Surveillance Kit.



Technical specifications – AXIS M7001 Video Encoder

Video	
Video compression	H.264 (MPEG-4 Part 10/AVC) Motion JPEG
Resolutions	NTSC: 720x480 to 176x120 PAL: 720x576 to 176x144
Frame rate H.264	30/25 (NTSC/PAL) fps in all resolutions
Frame rate Motion JPEG	30/25 (NTSC/PAL) fps in all resolutions
Video streaming	Two simultaneous streams, one in H.264 and one in Motion JPEG, in all resolutions Controllable frame rate and bandwidth VBR/CBR H.264
Image settings	Compression, color, brightness, contrast, saturation, rotation Aspect ratio correction, mirroring of images Text overlay Privacy mask Deinterlace filter
Pan/Tilt/Zoom	Wide range of analog PTZ cameras supported (drivers available for download at www.axis.com) 20 presets, guard tour, PTZ control queue Supports Windows compatible joysticks
Network	
Security	Password protection, IP address filtering, HTTPS encryption, digest authentication, user access log
Supported protocols	IPv4/v6, HTTP, HTTPS, QoS layer 3 DiffServ, FTP, SMTP, Bonjour, UPnP, SNMPv1/v2c/v3(MIB-II), DNS, DynDNS, NTP, RTSP, RTP, TCP, UDP, IGMP, RTCP, ICMP, DHCP, ARP, SOCKS

System integration	
Application Programming Interface	Open API for software integration, including VAPIX® from Axis Communications available at www.axis.com Support for AXIS Video Hosting System (AVHS) with One-Click Camera connection
Intelligent video	Video motion detection
Alarm triggers	Intelligent video
Alarm events	File upload via FTP, HTTP and email Notification via email, HTTP and TCP PTZ presets
Video buffer	20 MB pre- and post-alarm
General	
Casing	Standalone or wall mount
Processors and memory	ARTPEC-3, 64 MB RAM, 128 MB Flash
Power	Power over Ethernet IEEE 802.3af Class 2
Connectors	Analog composite video BNC input, NTSC/PAL auto-sensing RJ-45 10BaseT/100BaseTX PoE 2.5 mm (0.1") analog composite video tele plug input RS-422/RS-485
Operating conditions	0 – 50 °C (32 – 122 °F) Humidity 20 – 80% RH (non-condensing)
Approvals	EN 55022 Class B, EN 61000-3-2, EN 61000-3-3, EN 55024, EN 61000-6-1, EN 61000-6-2, FCC Part 15 Subpart B Class B, ICES-003 Class B, VCCI Class B, C-tick AS/NZS CISPR 22, EN 60950-1
Weight	82 g (0.18 lb.)
Included accessories	Mounting kit, Installation Guide, CD with installation and management tools, software and User's Manual, 1 Windows decoder user license

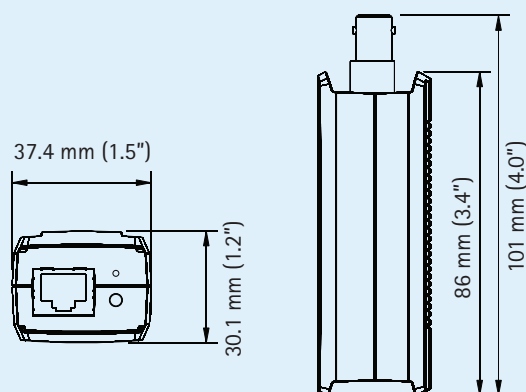
Technical specifications – AXIS M7001 Covert Surveillance Kit

Included 1 AXIS M7001 Video Encoder, 1 covert camera, mounting kits, Installation Guide, CD with installation and management tools, software and User's Manual, 1 Windows decoder user license

More information is available at www.axis.com

Covert camera Dimensions: 15.3 x 28.4 mm (0.6" x 1.1"), Ø 15 mm (0.59")
51° horizontal angle of view, fixed iris
1 lux minimum illumination, IP66-rated
1.5 m (4.9') cable with 2.5 mm (0.1") analog composite video tele plug output

Dimensions for AXIS M7001 Video Encoder



AXIS M7001 Covert Surveillance Kit

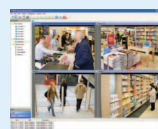


Optional accessories

AXIS 295 Video Surveillance Joystick



Power over Ethernet midspan



For information on AXIS Camera Station and video management software from Axis' Application Development Partners, see www.axis.com/products/video/software/