

DH-IPC-HUM8101

1.3 Megapixel HD Ultra-smart Network Pinhole Camera



DH-IPC-HUM8101

Features

- 1/3" 1.3Megapixel progressive scan CMOS
- Max 25/30fps@1.3MP (1280×960)
- Day/Night(Electronic), 3DNR, AWB,AGC,BLC
- Smart detection:
 - Face detection
 - Tripwire detection
 - Intrusion detection
 - Scene change detection
- 3.6mm fixed lens
- Micro SD memory, PoE

DH-IPC-HUM8101

Technical Specifications

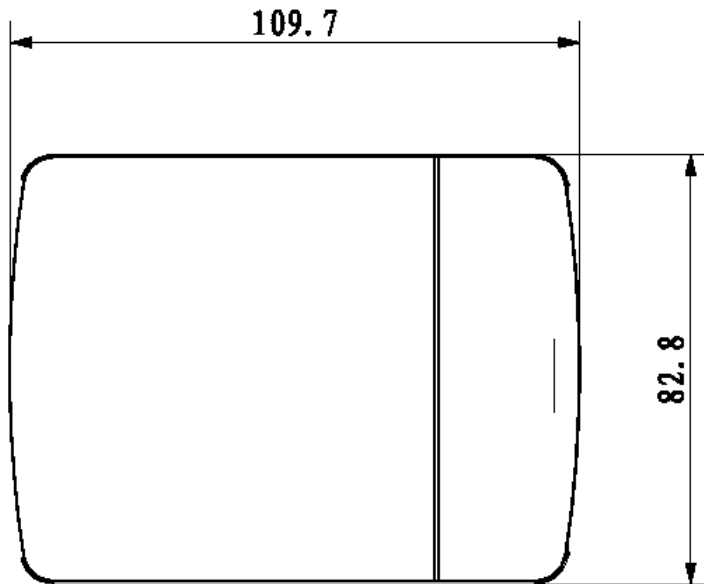
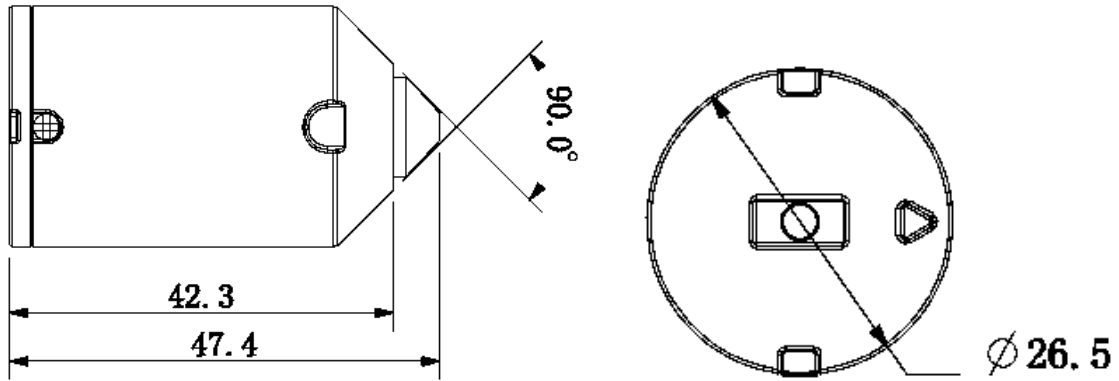
Model	DH-IPC-HUM8101P		DH-IPC-HUM8101N	
Camera				
Image Sensor	1/3" 1.3Megapixel progressive scan CMOS			
Effective Pixels	1280(H)x960(V)			
Scanning System	Progressive			
Electronic Shutter Speed	Auto/Manual, 1/3~1/100000s		Auto/Manual, 1/4~1/100000s	
Min. Illumination	0. 01Lux/F2.8 (Color), 0.001Lux/F2.8(B/W)			
S/N Ratio	More than 50dB			
Video Output	N/A			
Camera Features				
Max. IR LEDs Length	N/A			
Day/Night	Auto(Electronic)/Color/B/W			
Backlight Compensation	BLC / HLC/WDR(100dB)			
White Balance	Auto/Manual			
Gain Control	Auto/Manual			
Noise Reduction	3D			
Privacy Masking	Up to 4 areas			
Lens				
Focal Length	3.6mm			
Max Aperture	F2.8			
Focus Control	Manual			
Angle of View	77°			
Lens Type	Fixed lens			
Mount Type	Board-in Type			
Video				
Compression	H.264/MJPEG			
Resolution	1.3M(1280×960)/720P(1280×720)/D1(704×576)/CIF(352×288)			
Frame Rate	Main Stream	1.3M/720P(1 ~ 25/30fps)		
	Sub Stream	D1/CIF(1 ~ 25/30fps)		
	Third Stream	720P/ D1/CIF(1 ~ 25/30fps)		
Bit Rate	H.264: 48K ~ 8192Kbps			
Audio				
Compression	G.711a / G.711u/PCM			
Interface	1/1 channel In/Out			
Smart Function				
Smart detection	Tripwire			
	Intrusion			
	Scene change			
	Missing/Abandoned			
	Audio detect			
	Face detect			

DH-IPC-HUM8101

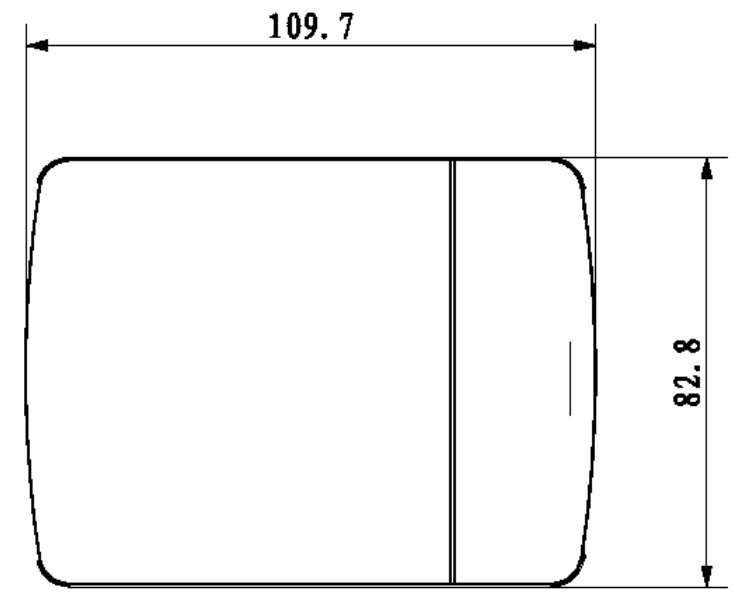
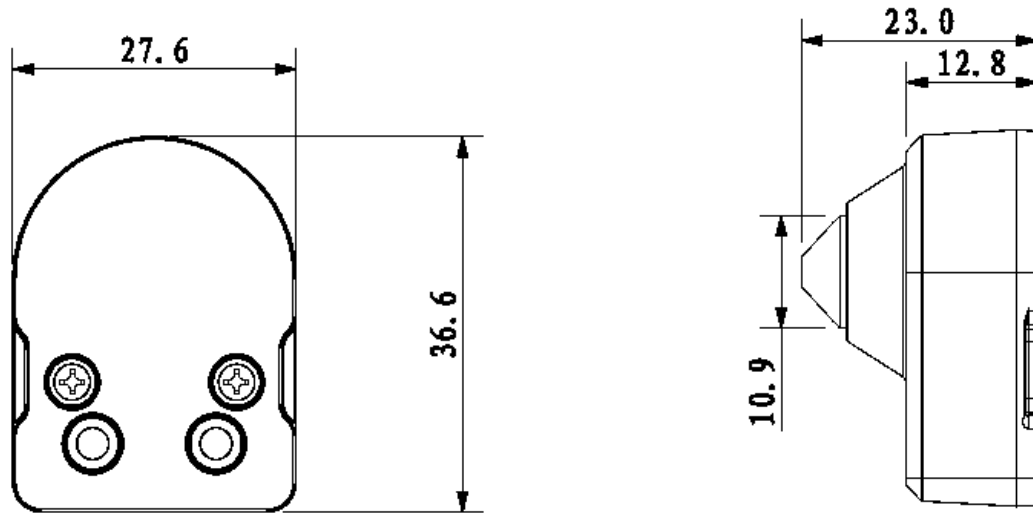
Network	
Ethernet	RJ-45 (10/100/1000Base-T)
Wi-Fi	N/A
Protocol	IPv4/IPv6, HTTP, HTTPS, SSL, TCP/IP, UDP, UPnP, ICMP, IGMP, SNMP, RTSP, RTP, SMTP, NTP, DHCP, DNS, PPPOE, DDNS, FTP, IP Filter, QoS, Bonjour
Compatibility	ONVIF, PSIA, CGI
Max. User Access	20 users
Smart Phone	iPhone, iPad, Android, Windows Phone
Auxiliary Interface	
Memory Slot	Micro SD, Max 64GB
RS485	N/A
Alarm	1/1 channel In/Out
General	
Power Supply	DC12V, PoE (802.3af)
Power Consumption	Max 7W
Working Environment	-30°C~+60°C, Less than 95% RH
Ingress Protection	N/A
Dimensions	109.7mm×82.8mm×24.0mm
Weight	0.46Kg

DH-IPC-HUM8101

Dimensions (mm)



DH-IPC-HUM8101



Dahua Technology Co., Ltd.

1199 BinAn Road, Binjiang District, Hangzhou, China

Tel: +86-571-87688883

Fax: +86-571-87688815

Email: overseas@dahuatech.com

www.dahuatech.com

*Design and specifications are subject to change without notice.

© 2014 Dahua Technology Co., Ltd.