

JVC®

The Perfect Experience / —

PTZ NETWORK DOME CAMERA VN-V685U/V686BU OUTDOOR PTZ NETWORK DOME CAMERA VN-V686WPBU

Dual Stream Network Cameras with 36x/27x Optical Zoom and Accurate Direct Drive Motor Mechanism

VN-V686WPBU



NETWORKS

 36x/27x
Zoom

 Direct
Drive Motor

Full-Frame
**DUAL
STREAM**

IR Cut filter
Day | Night

PoE
Power over Ethernet

■ Direct Drive Motor for Extra Precision and Silence

- Super Accurate Positioning ($\pm 0.03^\circ$ precision)
- Super Fast & Super Slow Pan/Tilt (400°/sec to 0.04°/sec variable)
- Super Silent Operation (Ideal for hospitals, libraries, and museums)

■ Day/Night Function with IR Cut Filter

Automatic switching between day and night modes for reliable round-the-clock surveillance

■ Effective Backlight Compensation

Easy Wide-D Function provides clear images even in backlit situations

■ Progressive Output Capability

Can output clear, smooth images without jaggy even for moving objects

■ MPEG-4/Motion JPEG Full-Frame Dual Stream

Simultaneous distribution of MPEG-4 and Motion JPEG VGA images at full frame rate (30fps for each stream)

■ Super LoLux™ Sensitivity

0.04 lx at B&W mode (25 % video level, F1.6, AGC SUPER)
0.5 lx at color mode (25 % video level, F1.6, AGC SUPER)

■ PoE for Saving Installation and Cable Costs

Built-in PoE (Power over Ethernet) allows the camera to be activated through a LAN cable connection.

■ Quick and Easy Installation

One-touch lock mechanism for quick and easy installation and maintenance

■ Dust- and Waterproof Design (VN-V686WPBU)

P66-standard robust design suitable for outdoor monitoring system

All the Precision and Quality to Capture the Crucial Moment

JVC's new Network Camera offers a Direct Drive Motor and Full-Frame Dual Stream Capability for an Advanced Monitoring System with Maximum Reliability and Versatility.



36x/27x
Optical
Zoom

0.03°
Super
Accuracy

MPEG-4
Motion JPEG
Dual Stream

Fast/Slow
Variable Pan
Tilt Speed

Silent
Operation

0.04lx*
Super
LoLux™

Easy
Installation

* at B&W mode

VN-V685U/VN-V686BU

Internal Dome Design

Normally recessed into a false ceiling to provide minimal intrusion in any indoor location. Or, when surface-mounted the sleek design will let it blend into a variety of environments for inconspicuously effective surveillance.

Indoor
Model

VN-V686WPBU

External Dome Design

Made to IP66 standards, the housing provides complete protection from the elements but still provides crisp, clear images of its surroundings. Materials used will provide long-lasting service over years of harsh weather conditions.

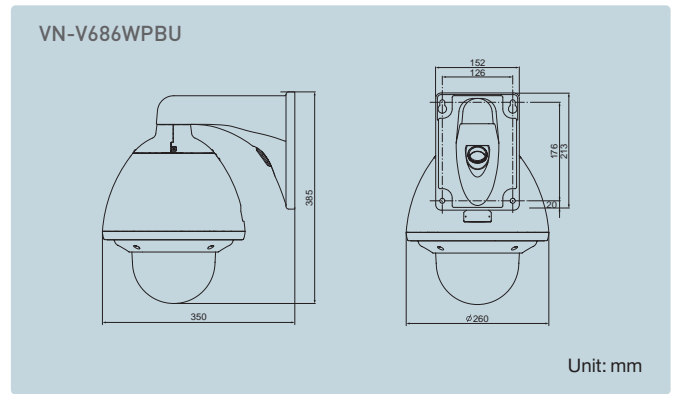
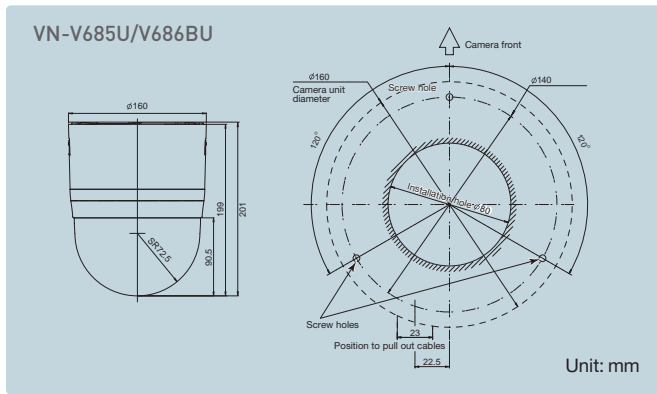
Outdoor
Model



Quick Comparison

	VN-V686BU	VN-V685U	VN-V686WPBU
Type	Indoor	Indoor	Outdoor
PoE	•	•	•
Zoom Ratio	36x Optical	27x Optical	36x Optical
Direct Drive Motor	•	•	•
Dust & Waterproof			•

● Dimensions



● Specifications

		VN-V685U	VN-V686BU	VN-V686WPBU
Image device		1/4" IT CCD		
Lens	Zoom ratio	27x optical and 32x digital	36x optical and 32x digital	
	Focal length	f=3.43mm to F=92.6mm	f=3.43mm to f=122mm	
	Max. aperture ratio	F1.6 (WIDE) to F3.5 (TELE)	F1.6 (WIDE) to F4.5 (TELE)	
	Max. close-range	Approx. 1.8m (TELE), Approx. 0.6m (WIDE)		
	Focus	Manual/Easy AF/One push AF		
Day/Night		Automatic Day/Night IR cut filter		
Minimum illumination	Color	1.0 lx (50%, AGC SUPER)		
	B&W	0.08 lx (50%, AGC SUPER) 0.04 lx (25%, AGC SUPER)		
Pan/Tilt range		Pan: 360° endless / Tilt: -5° to 185°		
Pan/Tilt speed		0.04° to 400°/sec		
Picture compression		Motion JPEG		
Picture resolutions		MPEG-4: Part2 (ISO/IEC 14496-2), Profile: SP 640x480, 320x240		
Frame rate and streaming		Up to 30 fps per each stream of Motion JPEG and MPEG-4 in 640x480 resolution simultaneously (Full frame dual stream)		
Compression levels		JPEG: Variable (VFS) 7 levels / Average (AFS) VGA (10KB - 100KB), QVGA (3KB - 33KB) MPEG-4: Constant (CBR) / Variable (VBR), Bit rate adjustable 64kbps - 8000kbps		
Image settings		Configurable AGC, Sens-up, Day/Night, Shutter speed, BLC, ALC, White balance (ATW/AWC), Gamma curve, Black level, Enhance range, Color level, Exposure value, Noise reduction, Monitor type, Privacy mask (8 areas), Image stabilizer		
PTZ function		100 preset positions, Auto flip, Auto pan, Auto trace, Auto patrol, Auto return, Motion detect, Auto tracking		
Shutter speed		2.1sec (Sens-up) to 1/10000 sec		
Security		3 levels password, IP address filtering, HTTPS encryption (for setting)		
Max. clients		20 simultaneous users, Unlimited users by multicast		
Alarm/Event management		Trigger: Built-in motion detection, External alarm input x 2 or Schedule Event: Pre/post recording, FTP sending, Notification over TCP/UDP, E-mail, External output x 2, Periodic FTP and Pre-set position, Pre/Post alarm buffer of 8MB		
Connectors		RJ-45 for Ethernet 10Base-T/100Base-TX Terminal block for 2 alarm input, 2 output Alternative power connection		
Dust and water protection		-		IP66
Power		24 VAC (50Hz/60Hz), 1.2A 48 VDC (PoE, IEEE802.3af class0), 12.95W		24 VAC (50Hz/60Hz), 2.2A (With heater) 48 VDC (PoE, IEEE802.3af class0), 12.95W (Without heater)
Operating temperature		-10°C to 50°C/14°F to 122°F (0°C to 40°C/32°F to 104°F recommended)		-40°C to 50°C/14°F to 122°F, always power on (0°C to 40°C/32°F to 104°F recommended)
Installation and maintenance		Web based setting tool, Camera search tool, Firmware update over HTTP		
Recommended operating environment		OS: Windows Vista Business (SP1), Windows XP Pro (SP2)/Home (SP2) CPU: Pentium4 2GHz, Memory: 1GB, HDD space: 512MB Display and video card: 1024x768 True color (24bit or 32 bit), VRAM 8MB Browser: IE7.0 for Windows Vista, IE6.0 for Windows XP		
System integration support		Open API for application integration, ActiveX Viewer, QoS, Embedded Linux operating system		
Supported protocols		TCP/IP, UDP/IP, HTTP, FTP, ICMP, ARP, RTP, DHCP, SNMP, SMTP, DSCP, IGMP, IPv6, VSIP		
Video management software/hardware (Not included)		VR-N900U/1600U/1600E: JVC Network video recorder for viewing, recording and archiving up to 9/16 cameras VN-RS800U: JVC free video management software for viewing, recording and archiving up to 32 cameras (JPEG stream only)		
Dimensions (WxHxD)		ø160mm x 201mm (H)		ø260mm (incl. housing) x 385mm (H: incl. bracket) x 350 (D: incl. bracket)
Weight		1.9kg (4.2lbs)		5.5kg (12.2lbs)

● Optional Accessories

For VN-V685U/V686BU

- WB-S682U Wall mount
- WB-S681U Pendant mount pole



- WB-S685U Ceiling recessed bracket



For VN-V686WPBU

- WB-S684U Outdoor pendant mount pole



Note: For more information on optional brackets, please consult your local JVC dealer.

Copyright © 2008, Victor Company of Japan, Limited. All Rights Reserved.

JVC®