

# 4K WDR Vandal-resistant Vari-focal Dome Network Camera

IPC3238ER3-DVZ



## Key Features

### Optics

- Day/night functionality
- Smart IR, up to 30m (98 ft) IR distance
- Up to 120 dB Optical WDR(Wide Dynamic Range)
- 3D DNR (Digital Noise Reduction)

### Compression

- H.265, H.264, MJPEG
- Embedded smart algorithm
- Triple streams
- ROI (Region of Interest)
- 9:16 corridor mode
- Customized OSD

### Network

- ONVIF Conformance

### Structure

- Wide temperature range: -40°C to 60°C (-40°F to 140°F)
- Wide voltage range of  $\pm 25\%$

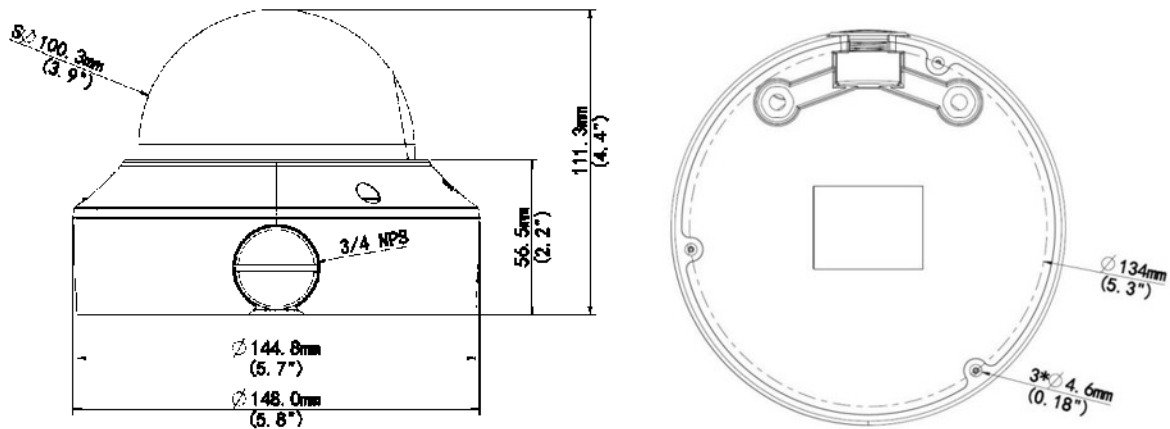
- IK10 vandal resistant
- IP67

## Specifications

|                            |   |
|----------------------------|---|
| Camera                     | IPC3238ER3-DVZ  |
| Sensor                     | 1/2.5", 8 megapixel, progressive scan CMOS  |
| Lens                       | 2.8~12 mm@F1.6  |
| Angle of View (H)          | 110.0° (wide) ~36° (tele)   |
| Zoom/Focus                 | 4X Optical Zoom / Auto Focus  |
| Shutter                    | Auto/Manual, 1/6~1/100000s  |
| Min. Illumination          | Colour: 0.02 Lux (F1.6, AGC ON)<br>0Lux with IR   |
| IR Range                   | Smart-IR, up to 30m (98 ft) IR range  |
| Day/Night                  | IR-cut filter with auto switch (ICR)  |
| S/N                        | >55dB   |
| WDR                        | True WDR 120dB  |
| <b>Video</b>               |   |
| Max. Resolution            | 3840×2160   |
| Video Compression          | H.265,H.264,MJPEG   |
| Frame Rate                 | 4K (3840×2160): Max.30 fps; 1080P (1920×1080): Max. 30 fps  |
| Video Streaming            | Triple  |
| 9:16 Corridor Mode         | Supported   |
| ROI                        | Supported   |
| Evaluative Metering        | Supported   |
| OSD                        | Up to 8 OSDs  |
| Privacy Mask               | Up to 8 areas   |
| <b>Smart</b>               |   |
| Behavior Detection         | Intrusion, crossing line, motion detection  |
| Exception Detection        | Audio detection   |
| Intelligent Identification | Face detection, Defocus, Scene Change   |
| Statistical Analysis       | People counting   |
| <b>Audio</b>               |   |
| Audio Compression          | G.711   |
| Two-way audio              | Supported   |
| <b>Storage</b>             |   |
| Edge Storage               | Micro SD, up to 128 GB  |
| <b>Network</b>             |   |
| Protocols                  | L2TP, IPv4, IGMP, ICMP, ARP, TCP, UDP, DHCP, PPPoE, RTP, RTSP, RTCP, DNS, DDNS, NTP, FTP, UPnP, HTTP, HTTPS, SMTP, 802.1x |
| Compatible Integration     | ONVIF, API  |
| <b>Interface</b>           |   |
| Audio I/O                  | Audio cable   |

|                          |   |
|--------------------------|---|
|                          | Input: impedance 35 k $\Omega$ ; amplitude 2 V [p-p]                  |
|                          | Output: impedance 600 $\Omega$ ; amplitude 2 V [p-p]                  |
| Alarm I/O                | 1/ 1  |
| Network                  | 1 RJ45, 10M/100M Base-TX Ethernet                                     |
| Video Output             | 1 BNC, impedance 75 $\Omega$ ; amplitude 1 V [p-p]                    |
| Reset Button             | Supported   |
| Power Output             | DC12V Power Output With PoE   |
| <b>General</b>           |   |
| Power                    | 12 V DC, or PoE (IEEE802.3 af)  |
|                          | Power consumption: Max.8.7 W  |
| Dimensions ( $\Phi$ x H) | $\Phi$ 148 x 111.3 mm ( $\Phi$ 5.8" x 4.4")                           |
| Weight                   | 0.75 kg (1.7 lb)  |
| Working Environment      | -40°C ~ +60°C (-40°F ~ 140°F), Humidity $\leq$ 95% RH(non-condensing) |
| Ingress Protection       | IP67  |
| Vandal Resistant         | IK10  |

## Dimensions



## Accessories

| Installation mode | Accessories  | Description                     |
|-------------------|--|---------------------------------|
| Ceiling mount     | Mounting pedestal is included in the product package | For indoor ceiling installation |

### Zhejiang Uniview Technologies Co., Ltd.

Building No.10, Wanlun Science Park, Jiangling Road 88, Binjiang District, Hangzhou, Zhejiang, China (310051)

Email: [overseasbusiness@uniview.com](mailto:overseasbusiness@uniview.com); [globalsupport@uniview.com](mailto:globalsupport@uniview.com)

<http://www.uniview.com>

©2016 -2017Zhejiang Uniview Technologies Co., Ltd. All rights reserved.

\*Product specifications and availability are subject to change without notice.