

4K Ultra HD Vandal-resistant Fisheye Fixed Dome Camera

IPC868ER-VF18



Key Features

Optics

- Ultra wide angle lens, 360° panoramic image
- Embedded infrared light, 360° fill-in light, Up to 20 m (65 ft) IR distance
- 3D DNR (Digital Noise Reduction)

Compression

- 4K, Max. 4000 * 3000 resolution
- Built-in microphone & speaker, two-way talk supported
- Sextuple streams
- ROI (Region of Interest)
- Distortion correction supported

Network

- ONVIF Conformance

Structure

- Support PoE power supply

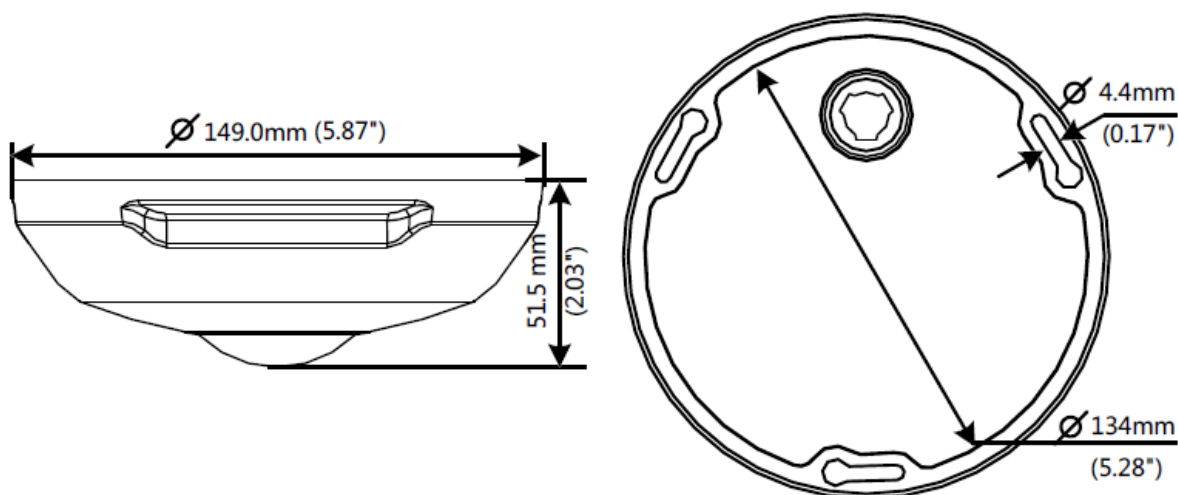
- Wide temperature range: -30°C to 60°C (-22°F to 140°F)
- Wide voltage range of $\pm 25\%$
- IK10
- IP66

Specifications

| | |
|-------------------------|---|
| Camera | IPC868ER-VF18 |
| Image sensor | 1/1.7", 12 megapixel, progressive scan, CMOS |
| Lens | 1.8mm@ F1.6 |
| Shutter | Auto/Manual, shutter time: 1/6 s ~1/8000 s |
| Minimum Illumination | Colour: 0.06 Lux (F1.6, AGC ON) 0 Lux with IR |
| Day / Night | IR-cut filter for day & night function |
| S/N Ratio | >55dB |
| WDR | Digital WDR |
| Video | |
| Compression | H.264 |
| Frame Rate | 12MP (4000*3000): Max.20fps; 4K (3008*3000): Max.25fps |
| ROI(Region of Interest) | Supported |
| Maximum Streams | Sextuple streams (1 fisheye view, 1 panoramic view, 4 PTZ view) |
| Evaluative Metering | Supported |
| OSD | Up to 8 OSD |
| Privacy Mask | Supported |
| Audio | |
| Audio Compression | G.711 |
| Two-way audio | Supported |
| Storage | |
| Edge Storage | Micro SD, up to 128GB |
| Network | |
| Protocols | L2TP, IPv4, IGMP, ICMP, ARP, TCP, UDP, DHCP, PPPoE, RTP, RTSP, DNS, DDNS, NTP, FTP, UPnP, HTTP, HTTPS, SMTP, SNMP, SIP, QoS |
| Compatible Integration | ONVIF, API |
| Interface | |
| Audio I/O | Audio interface |
| | Input: impedance 35 k Ω ; amplitude 2 V [p-p] |
| | Output: impedance 600 Ω ; amplitude 2 V [p-p] |
| | 1 built-in Microphone & 1 built-in Speaker |
| Alarm I/O | 2 / 1 |
| | Multiple Alarm linkage editable |
| Serial | 1 channel RS485 interface |

| | |
|---------------------|--|
| Network | 10M/100M Base-TX Auto-adaptive Ethernet |
| Video Output | 1 BNC, impedance 75 Ω; amplitude 1 V [p-p] |
| General | |
| Power | DC12V±25%, PoE (IEEE802.3at) |
| | Power consumption: Max. 21 W |
| Dimensions (Ø x H) | Φ149mm x 51.5mm (Φ5.87" x 2.03") |
| Weight | 0.5kg(1.1lb) |
| Working Environment | -30°C~60°C(-22°F ~ 140°F), Humidity ≤ 95% RH |
| Ingress Protection | IP66 |
| Vandal Resistant | IK10 |

Dimensions



Zhejiang Uniview Technologies Co.,Ltd.

South Tower, Building 10, Wanlun Science Park, 88 Jiangling Road, Hangzhou, P.R.China 310051

Email: overseasbusiness@uniview.com; globalsupport@uniview.com

<http://www.uniview.com>

©2016-2017 Zhejiang Uniview Technologies Co.,Ltd. All rights reserved.

*Product specifications and availability are subject to change without notice.