

VB-S30VE

Light, compact and durable PTZ camera designed to withstand outdoor conditions.

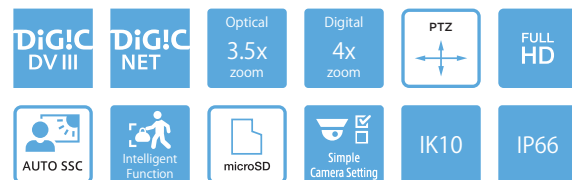
An easy-to-install weatherproof and vandal-resistant compact PTZ camera featuring a bright zoom lens and a built-in microphone to add new layers of detail.



- Capture everything with the VB-S30VE's bright f/1.4-2.6 lens, pan, tilt and zoom functions and superb low-light performance
- Full HD imaging and 3.5x optical zoom with low-distortion aspherical lens elements for pin-sharp images
- Record clear, high-quality audio with the built-in omnidirectional microphone
- Lightweight, compact and easy to install with IK10 impact and IP66 weatherproof protection
- Motion Adaptive Noise Reduction and Area-specific Data Size Reduction (ADSR) maintain video quality while reducing data size
- Intelligent on-board analytics functions for advanced alarm detection
- Live monitoring and management from a broad range of supported web browsers and mobile devices
- ONVIF® Profile S compliant

Product Range:

VB-S30VE
VB-S800VE
VB-S30D
VB-S31D
VB-S800D
VB-S805D



Technical Specifications

VB-S30VE

CAMERA	
Image Sensor	1/4.85 type CMOS (primary colour filter)
Number of Effective Pixels	Approx. 2.1 million pixels
Scanning Method	Progressive
Lens	3.5x optical (4x digital zoom) zoom lens with auto focus
Focal Length	2.25 (W) – 7.88 mm (T)
F-number	F1.4 (W) – F2.6 (T)
Viewing Angle For 16:9 aspect ratios	Horizontal: 77.1° (W) – 20.6° (T) Vertical: 40.2° (W) – 11.5° (T)
For 4:3 aspect ratios	Horizontal: 54.9° (W) – 15.4° (T) Vertical: 40.2° (W) – 11.5° (T)
Day/Night Switch	Auto/Day Mode/Night Mode
Min. Subject Illumination	Day Mode (colour): 1.0 lux (F1.4, shutter speed 1/30 sec., SSC off, 50IRE) Night Mode (monochrome): 0.55 lux (F1.4, shutter speed 1/30 sec., SSC off, 50IRE)
Focus	Auto/One-shot AF/Manual/Fixed at infinity
Shooting Distance (from front of lens)	Day Mode: 0.3 m (12 in.) – infinity Night Mode: 0.3 m (12 in.) – infinity
Shutter Speed	1, 1/2, 1/4, 1/8, 1/15, 1/30, 1/50, 1/60, 1/100, 1/120, 1/250, 1/500, 1/1000, 1/2000, 1/4000, 1/8000, 1/10000, 1/16000 sec.
Exposure	Auto/Auto (Flickerless)/Auto (Flickerless2)/ Auto (Shutter-priority AE)/Manual
White Balance	Auto/Manual/Daylight Fluorescent/White Fluorescent/Warm Fluorescent/Mercury Lamp/Sodium Lamp/Halogen Lamp Manual: One-shot WB/R Gain/B Gain
Metering Mode	Center-Weighted/Average/Spot
Exposure Compensation	9 levels
Smart Shade Control	Auto/Manual/Disable Auto: 3 levels Manual: 7 levels
Haze Compensation	Auto/Manual/Disable Auto: 3 levels Manual: 7 levels
AGC Limit	6 levels
Motion-Adaptive NR (Noise Reduction)	Available
Pan Angle Range	350° (±175°)
Tilt Angle Range	90° (ceiling-mounted position: -90° – 0°) – When the horizontal position is 0°
Moving Speed	Pan: Max. 120°/sec. Tilt: Max. 120°/sec.
Built-in microphone	Omni-directional electret condenser microphone Sensitivity: -40 dB (0 dB=1V/Pa) S/N Ratio: 62 dB or greater Frequency Response: 50 Hz – 16 kHz
SERVER	
Video Compression Method	JPEG, H.264
Video Size	JPEG, H.264: 1920 x 1080, 960 x 540, 480 x 270 1280 x 720, 640 x 360, 320 x 180 1280 x 960, 640 x 480, 320 x 240
Video Quality	JPEG, H.264: 10 levels
Frame Rate	JPEG: 0.1 – 30 fps H.264: 1/2/3/5/6/10/15/30 fps – Values represent streaming performance from the camera. – The frame rate may be reduced due to Viewer computer's specs, the number of clients accessing at the same time, network loads, video quality setting, type or movement of the subject or other reasons. Maximum frame rate when used in the following combinations: When streaming H.264(1) (1920 x 1080) and H.264(2) (all sizes) simultaneously: 15 fps When streaming H.264(1) (all sizes) and H.264(2) (1920 x 1080) simultaneously: 15 fps When streaming H.264(1) (1280 x 720) and H.264(2) (1280 x 720) simultaneously: 15 fps When streaming H.264(1) (1280 x 960) and H.264(2) (1280 x 960) simultaneously: 15 fps
I-Frame Interval	0.5/1/1.5/2/3/4/5 sec.
Simultaneous Client Access	Max. 30 Clients + 1 Admin Client – H.264: Max. 10 Clients
Bit Rate Control	Target Bit Rate: 64/128/256/384/512/768/1024/1536/2048/3072/4096/6144/8192/10240/12288/14336/16384 kbps
ADSR: Area-specific Data Size Reduction	Number of Specified Areas: Max. 8 areas Data Size Reduction Level: 3 levels
Security	Camera Control: Administrator, Authorized user, Guest user (level of control varies depending on user) Access Control: User authority (user name and password), Host Access Restrictions (IPv4, IPv6) IEEE802.1X: EAP-MD5, EAP-TLS, EAP-TTLS, EAP-PEAP Encrypted Communications: SSL/TLS, IPsec

Protocol	IPv4, IPv6, TCP/IP, UDP, HTTP, FTP, SNMPv1/v2c/v3 (MIB2), DHCP, DNS, AutoIP, mDNS, ARP, ICMP, POP3, NTP, SMTP, RTP/RTCP, RTSP, SSL/TLS, IPsec, ONVIF, WV-HTTP (Canon proprietary)
ONVIF Profile	Profile-S
Audio Compression Method	G.711 µ-law (64 kbps)
Audio Communication Method	Full-duplex (two-way)/half-duplex RTP, Sound Transfer Protocol by Canon
Audio File Playback	Available (audio files can be played back when an event is triggered by the intelligent function or external device input) – A third-party amplifier speaker is necessary
Privacy Mask	Number of registration: Max. 8 places, Number of mask colors: 1 (select from 9 colors)
Panorama	Available
View Restriction	Available
Preset	Number of registers: Max. 64 positions (+Home Position)
Intelligent Function (Video)	Moving Object Detection, Abandoned Object Detection, Removed Object Detection, Camera Tampering Detection, Passing Detection, and Intrusion Detection Detection Settings: Max. 15 Non-detection Area Settings: Available
Intelligent Function (Audio)	Volume Detection
Event Trigger Type	External Device Input, Intelligent Function (Video), Intelligent Function (Audio), Timer, Day/Night Switch Number of Linked Events: 2 Linked Event Conditions: OR, AND (whether or not there is a sequence to events)
Image Upload	FTP/HTTP
Event Notification	HTTP/SMTP (e-mail)
Log Notification	SMTP (e-mail)
Image Cropping Function	Digital PTZ Cropping sizes: 640 x 360/512 x 288/384 x 216/256 x 144/128 x 72 640 x 480/512 x 384/384 x 288/256 x 192/128 x 96
On-Screen Display	Available English Only – The following languages require the use of the On-Screen Display Assist Tool. German/Spanish/French/Italian/Polish/Russian/Turkish/Korean/Chinese (Simplified)/Japanese
Daylight Saving Time	Available
INTERFACE	
Network Terminal	LAN x 1 (RJ45, 100Base-TX (auto/full-duplex/half-duplex))
Audio Output Terminal (LINE OUT)	Φ3.5 mm (Φ0.14 in.) mini-jack connector (monaural) LINE OUT (connect to an amplifier speaker)
External Device I/O Terminal	Input x 1, Output x 1
Memory Card	microSD Memory Card, microSDHC Memory Card, microSDXC Memory Card Compatible. Recorded Content: Log, Video (Event, Manual, ONVIF, Timer, Upload) Frame Rate: Max. 1 fps (JPEG) Max. 30 fps (H.264) – To insure reliability in the recording speed, it is recommended to use CLASS 10 rated products. Even when using CLASS 10 products, reliability cannot be guaranteed during heavy access loads (e.g., when recording and deleting data at the same time).
OTHER	
Operating Environment	Temperature Operating Temperature Range: -25°C – +50°C (-13°F – +122°F) Start-up Temperature Range: -10°C – +50°C (-14°F – +122°F) Humidity 5% – 85% (without condensation)
Installation	Ceiling mount – Canon will not guarantee proper operation if the cameras are installed on surfaces where the angle is more than ±5° from horizontal or on walls, because this will put a heavy load onto sliding mechanical parts and may affect durability.
Power Supply	PoE function : PoE power supply via LAN connector (IEEE802.3af compliant)
Power Consumption	Max. 8.1 W – Class 0 power sourcing equipment (requests 15.4 W)
Dimensions	(Φx H) Φ132 x 65 mm (Φ5.20 x 2.56 in.) – Camera only
Weight	Approx. 620 g (21.9 oz.)
Impact Resistance	IK10 (20J)
Dust-resistant/Waterproof Specification	IP66

Technical Specifications

VB-S30VE

Certifications and Compatibility	EN55032 Class B, FCC part15 subpart B Class B, ICES-003 Class B, VCCI Class B, C-tick AS/NZS EN55032 Class B, CNS13438 Class B, KN32 Class B, EN55024, KN35, EN50581 IEC/UL/EN60950-1, EN50130-4, IEC/UL/EN60529 IP66, IEC/UL/EN62262 IK10
APPLICATION	
Viewer	Camera Viewer Mobile Camera Viewer
Camera software	Camera Management Tool Recorded Video Utility On-screen Display Assist Tool
Language	German/English/Spanish/French/Italian/Polish/Russian/ Turkish/Thai/Korean/Chinese (Simplified) /Japanese
Operating Environment	(Setting page, Viewer)
PC	CPU (Recommended): Intel Core i7-2600 or higher Graphics Board (Recommended): Not specified Memory (Recommended): 2 GB or higher Viewer Display (Recommended): 1920 x 1080 or higher
Operating System	Windows 7 Ultimate/Professional/Enterprise/Home Premium SP1 32/64-bit Windows 8.1/Windows 8.1 Pro/Windows 8.1 Enterprise 32/64-bit* Windows 10 Pro/Windows 10 Enterprise/Windows 10 Education/ Windows 10 Home 32/64-bit Windows Server 2008 Standard SP2 32/64-bit Windows Server 2008 R2 Standard SP1 64-bit Windows Server 2012 Standard 64-bit* Windows Server 2012 R2 Standard 64-bit* Windows Server 2016 Standard 64-bit * Can not be started from the start screen
Operating System Language	Setting Page, Camera Viewer, Mobile Viewer, Camera Management Tool, Record Video Utility: German/English/Spanish/French/Italian/Polish/Russian/Turkish/Thai/Korean/Chinese (Simplified) /Japanese On-screen Display Assist Tool: German/ Spanish/French/Italian/Polish/Russian/Turkish/Korean/Chinese (Simplified) /Japanese
Compatible Browser	Internet Explorer 9 32-bit Internet Explorer 10/11 32/64-bit Microsoft Edge* Chrome 65* * Does not support playback of Video (H.264) and audio files, reception of audio - Must be configured to allow use of JavaScript, IFRAME (html tag), and web storage. - For Camera Viewer only, cookies must be enabled

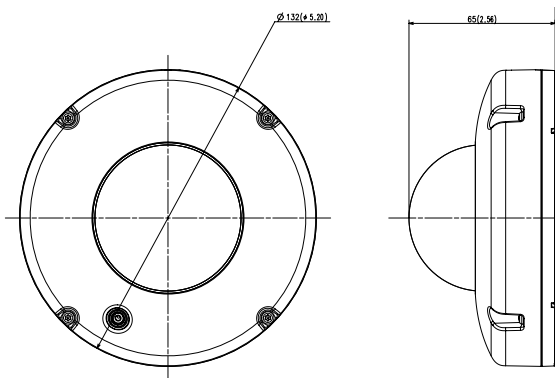
Compatible Mobile Devices	Surface, iPad, iPhone, Nexus, Galaxy
Operating Environment	Camera Management Tool, Recorded Video Utility
Software	Runtime Library Camera Management Tool: .NET Framework 3.5 (When using Internet Explorer 9) .NET Framework 4.5 or higher (When using Internet Explorer 10/11) Recorded Video Utility .NET Framework 3.5 (When using Windows Server 2008 Standard SP2 32/64-bit) .NET Framework 4.5 or higher
Verified Mobile Devices	Setting Page, Viewer - As of April 2018
Surface 3	Operating System Windows 10 Home 64-bit Compatible Web Browser Internet Explorer 11 Microsoft Edge* - Must be configured to allow use of JavaScript, and web storage - For Camera Viewer only, cookies must be enabled * Does not support playback of Video (H.264) or audio transmission/reception
Apple Devices	iPad Pro 12.9-inch, iPad Pro 10.5-inch, iPhone 7, iPhone 8 Plus, iPhone X Operating System iOS 10.3.3 iOS 11.3 Compatible Browser Safari - Must be configured to allow use of JavaScript, IFRAME (html tag), and web storage - For Camera Viewer only, cookies must be enabled - Does not support playback of Video (H.264) and audio files, reception of audio - Setting page and Camera Viewer is not supported on the iPhone
Android Devices	Nexus 9, Galaxy Tab S 8.4 (Android 7.1.1, 4.4.2) Compatible Web Browser: Chrome 65 - Does not support playback of Video (H.264) or audio transmission/reception Nexus 6P, Galaxy S8 (Android 8.1, 8.0) Compatible Web Browser: Chrome 65 - Does not support playback of Video (H.264) or audio transmission/reception - Setting Page and Camera Viewer is not supported

What's in the box?

- VB-S30VE main Unit
- Before Using this Camera
- EAC-Supported Guide
- Wrench
- I/O interface cable

- Installation guide & template
- Safety wire & screw
- RJ45 coupler
- Warranty card
- Waterproofing tape

Dimensions



All dimensions are in mm (in.)

Compatible Accessories



CB30VE-VB
Conduit Box



PC30VE-VB
Pendant Mounting Kit

Light, compact and durable PTZ camera designed to withstand outdoor conditions.

VB-S30VE



An easy-to-install weatherproof and vandal-resistant compact PTZ camera featuring a bright zoom lens and a built-in microphone to add new layers of detail.

Sales Start Date: Dec 2016 / Jan 2017

Product Details:

Product Name	Mercury Code	EAN Code	Recommended Retail Price
Network Camera VB-S30VE	1387C001AB	4549292078367	<Please fill in RRP>

Optional Accessories:

Product Name	Mercury Code	EAN Code	Recommended Retail Price
Conduit Box CB30VE-VB	1735C001AA	4549292078848	<Please fill in RRP>
Pendant Mounting Kit PC30VE-VB	1736C001AA	4549292079685	<Please fill in RRP>

Measurement / Logistic Information:

Product Name	Mercury code	Pack type	Pack description	Quantity per pack	Length (mm)	Width (mm)	Height (mm)	Net Weight (kg)	Gross Weight (kg)
Network Camera VB-S30VE	1387C001AB	EA	Each	1	174	174	135	Approx. 0.6	Approx. 1.4
		CT	Carton	6	445	374	212	Approx. 3.7	
		EP	Euro Pallet	—	—	—	—	—	—