

DH-IPC-EB5400-M

4 Megapixel Vandal-proof Network Fisheye Camera



Features

- 1/3" 4Megapixel progressive scan CMOS
- H.264 & MJPEG dual-stream encoding
- Max 15fps@4M(2592×1520), 25/30fps@1080P
- Day/Night(Electronic), 3DNR, AWB,AGC,BLC
- Multiple network monitoring: Web viewer, CMS(DSS/PSS) & DMSS
- 1.18mm fixed lens
- Micro SD memory, IK10, PoE

DH-IPC-EB5400-M

Technical Specifications

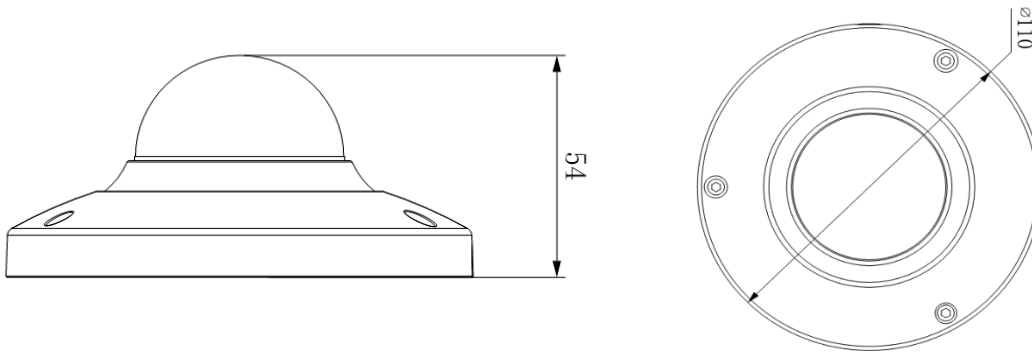
| | | |
|--------------------------|--|--------------------------------|
| Model | DH-IPC-EB5400-M | |
| Camera | | |
| Image Sensor | 1/3" 4Megapixel progressive scan CMOS | |
| Effective Pixels | 2592(H)x1520(V) | |
| Scanning System | Progressive | |
| Electronic Shutter Speed | Auto/Manual 1/3(4)~1/10000 | |
| Min. Illumination | 0.01lux/F2.0(color) ,0.001Lux@F2.0(B/W) | |
| S/N Ratio | More than 50dB | |
| Video Output | N/A | |
| Camera Features | | |
| Max. IR LEDs Length | N/A | |
| Day/Night | Auto(Electronic)/Color/B/W | |
| Backlight Compensation | BLC/HLC/DWDR | |
| White Balance | Auto/Manual | |
| Gain Control | Auto/Manual | |
| Noise Reduction | 3D | |
| Privacy Masking | Up to 4 areas | |
| Lens | | |
| Focal Length | 1.18mm | |
| Max Aperture | F2.0 | |
| Focus Control | Manual | |
| Angle of View | H:180° | |
| Lens Type | Fixed lens | |
| Mount Type | Board-in Type | |
| Video | | |
| Compression | H.264/ MJPEG | |
| Resolution | 4M(2592×1520)/3M(2048×1520)/UXGA(1600×1200)/1.3M(1280×960)/720P(1280×720)/D1(704×576/704×480)/CIF(352×288/352×240) | |
| Frame Rate | Main Stream | 4M(1~15fps)/ 3M (1 ~ 25/30fps) |
| | Sub Stream | D1/CIF(1 ~ 25/30fps) |
| Bit Rate | H.264: 20K ~ 8192Kbps | |
| Audio | | |
| Compression | G.711a/G.711u/PCM | |
| Interface | 1/1 channel In/Out(Built in Mic) | |
| Network | | |
| Ethernet | RJ-45 (10/100Base-T) | |
| Wi-Fi | N/A | |
| Protocol | IPv4/IPv6, HTTP, HTTPS, SSL, TCP/IP, UDP, UPnP, ICMP, IGMP, SNMP, RTSP, RTP, SMTP, NTP, DHCP, DNS, PPPOE, DDNS, FTP, IP Filter, QoS, Bonjour | |
| Compatibility | ONVIF,PSIA,CGI | |

DH-IPC-EB5400-M

| | |
|----------------------------|--------------------------------------|
| Max. User Access | 20 users |
| Smart Phone | iPhone, iPad, Android, Windows Phone |
| Auxiliary Interface | |
| Memory Slot | Micro SD, Max 64GB |
| RS485 | N/A |
| Alarm | 1/1 channel In/Out |
| PIR Sensor Range | N/A |
| General | |
| Power Supply | DC12V,PoE |
| Power Consumption | Max 6W |
| Working Environment | -30°C~+60°C, Less than 95% RH |
| Ingress Protection | N/A |
| Vandal Resistance | IK10 |
| Dimensions | Φ110mm×54mm |
| Weight | 0.25kg |

DH-IPC-EB5400-M

Dimensions (mm)



Accessories (optional)

| | | |
|---|---|---|
|  |  |  |
| PFB200W | PFA131 | PFA123 |

Dahua Technology Co., Ltd.

1199 BinAn Road, Binjiang District, Hangzhou, China

Tel: +86-571-87688883

Fax: +86-571-87688815

Email: overseas@dahuatech.com

www.dahuatechsecurity.com

*Design and specifications are subject to change without notice.

© 2014 Dahua Technology Co., Ltd.