

## EBN368

3-Megapixel IR & WDR,  
Outdoor Ball Network Camera

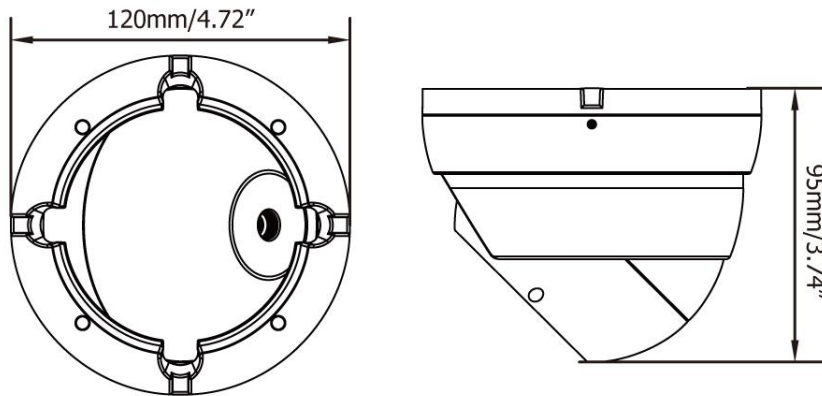
ONVIF



## Features

- SONY Progressive Scan CMOS sensor
- Astounding image quality from the 3.6mm lens
- True Wide Dynamic Range Function (120dB)
- Provides True Day/Night functionality with automatic IR filter operation
- Extended IR range up to 30m / 100ft. with 36 LEDs (Depending on scene IR reflectivity)
- Multi-streaming from H.265 / H.264
- Weather proof IP66-rated
- The flexible angle viewing with its 3-Axis rotation design allows wall or ceiling mounting
- Special design, easy installation and operation
- Supports Motion Detection & Email Notification
- Supports live monitoring of video from mobile devices via MobileFocus / MobileFocus plus Apps (iOS & Android)
- Supports Power over Ethernet / 12VDC
- Low light
- Two-way audio
- Supports Alarm I/O
- Supports RS-485 (reserved)
- EverFocus Genie XMS CMS
- ONVIF profile S compliant

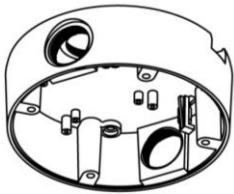
## Dimensions



## Optional Accessories

### Brackets

#### PBOX-A32



Junction Box

Apple White

119.2 x 38mm / 4.7" x 1.5" (D) x (H)

- High-strength Aluminum for better protection against damage.
- Spray painted surface to protect the bracket from corrosion and rust.

### IP Sidekick

#### IP Sidekick - ESK1000



Using it for installation, you do not need to pre-configure the IP address or to use an additional monitor to check and adjust all the IP cameras. The product can assign an IP address to the camera, and then you can connect and check the IP camera live view using our mobile app EF Sidekick. For details about IP Sidekick, please refer to the IP Sidekick – *ESK1000 User's Manual*.

### PoE Switch

#### EverFocus 5 / 8 / 16 / 24 Ports PoE Switch



5 Ports: ES0501-40

8 Ports: ES0812-31 / ES0802-41

16 Ports: ES1625-31 / ES1645-51

24 Ports: ES2426-31 / ES2446-51 / ES2448-62

# Specification

Model No.	EBN368		
Pickup Device	Sony Progressive Scan CMOS sensor	Reset Button	Yes
Lens	3.6mm fixed lens	Stream Type	Complex stream / Video stream
Minimum Illumination	Color: 0.05Lux @ F1.4; B/W: 0.005Lux @ F1.4	Image Settings	Contrast, Brightness, Saturation, Sharpness, Mirroring of Images
Day/Night	True Day/Night with ICR	Intelligent Alarm	Video Loss, Network Anomaly, Tampering Alarm, Storage Exception, Motion Detection
Iris	Fixed Iris	Event Trigger	Motion Detection
Electronic Shutter	Auto / Manual (1/25 ~ 1/10,000), FLK	Notification	Email Notification
Video Compression	H.265 / H.264	Password Protection	Support
Max. Video Resolution	2048 x 1536	Alarm Input / Output	2 / 1
Frame Rate	25fps / 30fps	IR LED	36 Units
S/N Ratio	≥ 50db (AGC OFF)	IR Distance	30m / 100ft.
AGC	Yes	Power Supply	12VDC
AWB	Yes	Power over Ethernet	PoE IEEE802.3af (Class 3)
T-WDR	Yes (120dB)	Max. Power Consumption	12VDC 5.2W / PoE 5.8W
3DNR	Yes	Humidity	0% ~ 90% not condensing
Video Output	BNC 1.0Vp-p 75Ω	Operating Temperature	-10°C ~ 50°C / 14°F ~ 122°F
Audio Compression	G.711A / 64Kbps / Two-way audio	Dimensions (Φ) x (H)	120 x 95mm / 4.72" x 3.74"
Interface	RJ-45 10M/100M adaptive	Weight	740g / 1.63lb
Supported Protocols	TCP/IP, UDP, HTTP, DHCP, RTSP, DDNS, NTP, PPPOE, UPNP, SMTP, ONVIF	Weather Resistance	IP66
Connector	DC Jack, RJ-45, RS-485 (reserved)	Certificates	CE, FCC, RoHS

\*All images presented in this document are for example only. Product models may vary in different countries. Please visit EverFocus regional Websites for detailed ordering information.

\*Information contained in this document is subject to change without notice.

## Find Out More At:

**EverFocus Taiwan HQ:**  
TEL: +886 2 2698 2334  
www.everfocus.com.tw  
marketing@everfocus.com.tw

**EverFocus USA - California:**  
TEL: +1 626 844 8888  
www.everfocus.com  
sales@everfocus.com

**International Branch Offices:**  
Germany, China, Japan

