

V1720N-NE2 Series

IP PTZ Indoor Recessed Ceiling and Bracket Mount Domes

Infinova
The Integrator's Manufacturer



Features

- Support H.264 /M-JPEG dual stream encoding and three simultaneous video streams
- ONVIF-compliant
- Motion detection
- Supports multiple ways to handle alarms, such as sending an email, FTP uploading
- Multiple users access and configure parameters via Web Server
- 254 Programmable presets, with the maximum speed of 400°/s, and precise positioning
- Advanced privacy mask function with two modes selectable
- Home position, preset association, pattern and auto scan
- Auto focus, backlight compensation, and auto gain control (AGC)
- Wide dynamic range
- High speed autopan and auto flip

Ordering Information

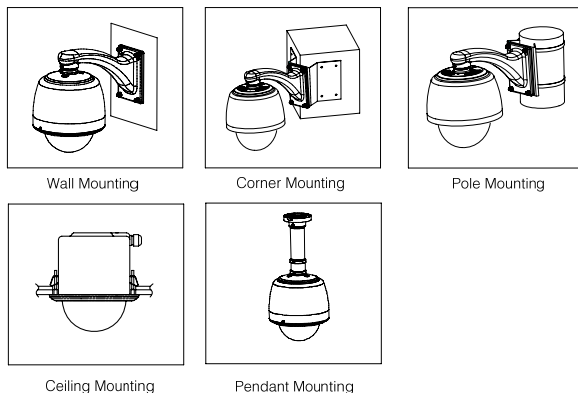
For complete part numbering information, kindly refer to the part number guide.

ACCESSORIES

V1761	Wall Mount, 10" horizontal, 1.5" NPT
V1761L	Wall Mount, 17" horizontal, 1.5" NPT
V1762	Corner Mount, 10" horizontal, 1.5" NPT
V1763	Pole Mount, 10" horizontal, 1.5" NPT
V1764	Pendent Mount, 15" long vertical, 1.5" NPT, indoor

For detailed information, please refer to V1760 series indoor/outdoor dome mounts.

Mounting



Description

V1720N-NE2 series IP PTZ dome camera is the newly launched security product of Infinova.

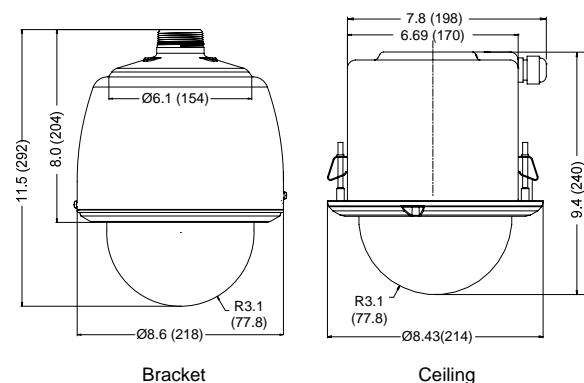
With the technology of network video modules and the built-in H.264/M-JPEG kernel program, it can realize the high quality video transmission by 30 frames per second. And the feature of three simultaneous streams can help to select major stream or minor stream in transmission according to the applications. The dome camera can also make intelligent monitoring plan and storage strategies via the management platform.

The built-in web server support IE 6.0 or the greater versions. OSD display and WDR are also available. And the dome cameras can be controlled and managed by Infinova V2216 series software.

The dome features the optical zoom of 23X/35X/36X and the digital zoom of 12X. The control speed varies from 0.08°/s to 400°/s with low noise and smooth running.



Dimensions



(Unit: inch, in the parentheses is mm)

Specifications

General	Optical Zoom	23X, 35X, 36X
	Digital Zoom	12X
	Programmable Presets	254
	Programmable Patterns	4
	Programmable Autopans	4
	Programmable Areas	16
	Video Blanking Sectors	16
	Spherical Privacy Zones	4 (23X/35X), 24 (36X)
	Norm Tours	6
	Home Position	Yes
	Auto Scan	Yes
	Image Mirror	Yes
	WDR	Yes
	FNR	Yes
	Stabilization	Yes (35X/36X)
	Motion Detection	Yes
	Zoom Window	Yes (PELCO-D)
IP	Communication Protocol	INFINOVA, PELCO-P/D (self-adaptive)
	Addresses	1~254
	Baud Rate	2400/4800/9600bps optional
	Video Compression	H.264 / M-JPEG
	Maximum Resolution	4CIF @ H.264/M-JPEG
	Optional Resolution	Major stream: PAL: 4CIF(704×576)/2CIF(704×288)/CIF(352×288)/QCIF(176×144) NTSC: 4CIF(704×480)/2CIF(704×240)/CIF(352×240)/QCIF(176×120)
		Minor stream: PAL: CIF(352×288)/QCIF(176×144); NTSC: CIF(352×240)/QCIF(176×120)
	Bit Rate	Variable bit rate; Constant bit rate: 256Kbps~3Mbps
	Maximum Frame Rate	PAL: 25fps; NTSC: 30fps
	Network Port	1 RJ45 10M/100M self-adaptive Ethernet port
Network Protocols	TCP/IP, HTTP, ICMP, IGMP, UDP, SMTP, RTP, RTSP, SNMP ARP etc	
Mechanical	Manual Speed	Pan: 0.08°~200°/s; Tilt: 0.2°~100°/s
	Preset Speed	400°/s maximum
	Pan Travel	360° continuous
	Tilt Travel	0°~90°
	Preset Accuracy	±0.1°
	Motor	Stepping motor
Electrical	Power Supply	12VDC or 24 VAC
	Power Consumption	12VDC: 21W; 24VAC: 28W
Environmental	Operating Temperature	-4°F ~ 122°F (-20°C ~ +50°C)
	Storage Temperature	-4°F ~ 140°F (-20°C ~ +60°C)
	Operating Humidity	0~90%RH (non-condensing)
Physical	Product Dimension (H×D)	11.5"×Φ8.6" (292mm×Φ218mm)(Bracket); 9.4"×Φ8.43" (240mm×Φ214mm)(Ceiling)
	Box Dimension (L×W×H)	19.09"×11.02"×11.81" (485mm×280mm×300mm)
	Product Weight	Bracket: 7.1lbs (3.2kg), Ceiling:6.2lbs (2.8kg)
	Shipping Weight	Bracket: 10.6lbs (4.8kg), Ceiling: 9.5lbs (4.3kg)
Certifications	CE/EMC: EN 55022, EN 55024, EN 61000-3-2, EN 61000-3-3 (Certificate NO.: BCT12HC-1420E) FCC: Part15 Subpart B (Certificate NO.: BCT12HC-1421E); ISO 9001:2008; IEC 61000; UL	

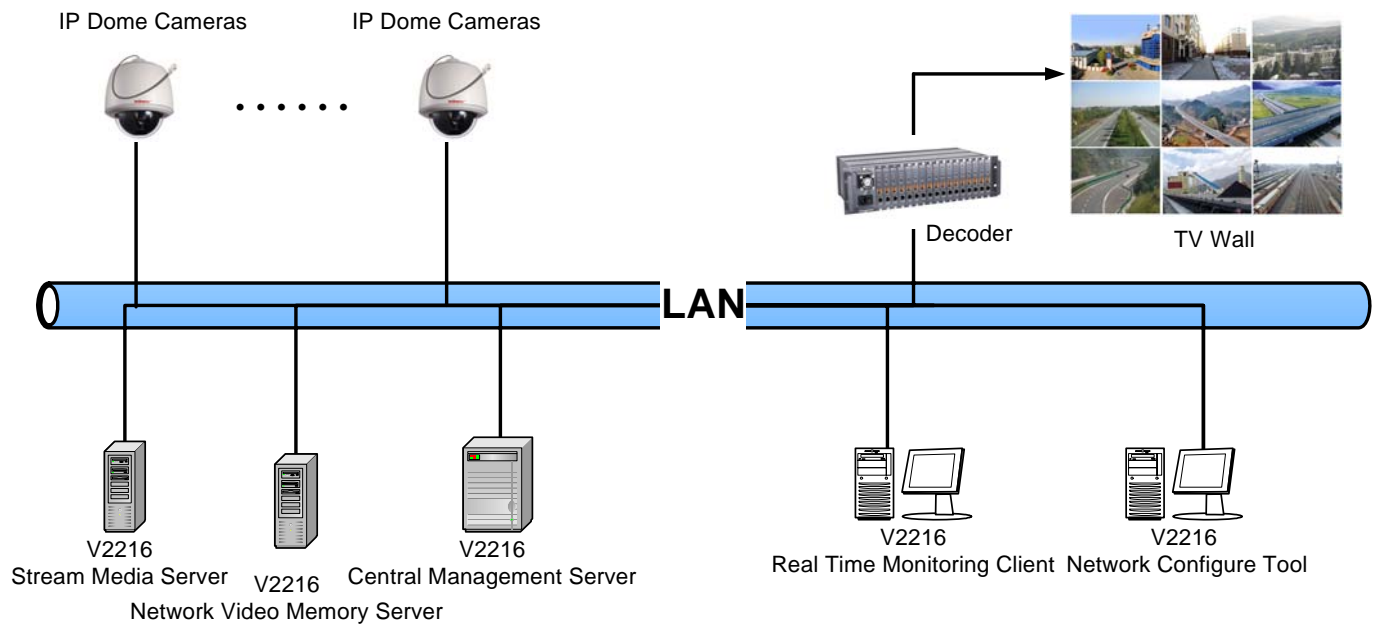
PTZ Dome Camera Part Numbering

Type	Bubble	23X D/N	35X D/N	36X D/N
Recessed Ceiling Mount NTSC Camera 24 VAC	Vandal-Resistant Clear	V1727N-N0C3C6E2	V1729N-N0C3C6E2	V1723N-N0C3C6E2
	Vandal-Resistant Smoked	V1727N-N0S3C6E2	V1729N-N0S3C6E2	V1723N-N0S3C6E2
Recessed Ceiling Mount PAL Camera 24 VAC	Vandal-Resistant Clear	V1727N-N1C3C6E2	V1729N-N1C3C6E2	V1723N-N1C3C6E2
	Vandal-Resistant Smoked	V1727N-N1S3C6E2	V1729N-N1S3C6E2	V1723N-N1S3C6E2
Pendant Mount NTSC Camera 24 VAC	Vandal-Resistant Clear	V1727N-N0C3B6E2	V1729N-N0C3B6E2	V1723N-N0C3B6E2
	Vandal-Resistant Smoked	V1727N-N0S3B6E2	V1729N-N0S3B6E2	V1723N-N0S3B6E2
Pendant Mount PAL Camera 24 VAC	Vandal-Resistant Clear	V1727N-N1C3B6E2	V1729N-N1C3B6E2	V1723N-N1C3B6E2
	Vandal-Resistant Smoked	V1727N-N1S3B6E2	V1729N-N1S3B6E2	V1723N-N1S3B6E2

Part Number Extensions for Power Input Selection

12 VDC	EX: 12 VDC Input	24 VAC	EX: 24 VAC Input
5	V1727N-N0C3B5E2	6	V1727N-N0C3B6E2

System Application



Camera Parameters

Optical Zoom	23X	35X	36X
Video Type	PAL/NTSC (D/N)	PAL/NTSC (D/N)	PAL/NTSC (D/N)
Scanning System	2:1 Interlace Scanning		
Image Sensor	1/4" Progressive Scanning CCD		1/4" Interlace Scanning CCD
Analog Video Resolution	PAL/440K: 752 (H) × 582 (V) NTSC/380K: 768 (H) × 494 (V)		
Aperture/Focal Length	F1.6 ~ F3.7; f=3.6 ~ 82.8mm	F1.4 ~ F4.2; f=3.4 ~ 119mm	F1.6 ~ F 4.5; f=3.4 ~ 122.4mm
Angle of View	54° (Wide) / 2.5° (Tele)	58.2° (Wide) / 1.8° (Tele)	57.8° (Wide) / 1.7° (Tele)
Min. Work Distance	0.01m (Wide) ~ 1.0m (Tele)	0.01m (Wide) ~ 1.5m (Tele)	0.32m (Wide) ~ 1.5m (Tele)
Sensitivity	Color mode: 0.02 lux @ F1.6 (30IRE. AGC max. PAL: 1/50s, NTSC:1/60s); 0.01 lux @ F1.6 (30IRE. AGC max. PAL: 1/3s, NTSC:1/4s) B/W Mode: 0.01 lux @ F1.6 (30IRE. AGC max. PAL: 1/50s, NTSC:1/60s); 0.01 lux @ F1.6 (30IRE. AGC max. PAL: 1/3s, NTSC:1/4s)	Color mode: 0.03 lux @ F1.4 (30IRE. AGC max. PAL: 1/50s, NTSC:1/60s); 0.02 lux @ F1.4 (30IRE. AGC max. PAL: 1/3s, NTSC:1/4s) B/W Mode: 0.02 lux @ F1.4 (30IRE. AGC max. PAL: 1/50s, NTSC:1/60s); 0.01 lux @ F1.4(30IRE. AGC max. PAL: 1/3s, NTSC:1/4s)	Color mode: 0.66 lux @ F1.6 (30IRE. PAL: 1/50s, NTSC:1/60s); 0.01 lux @ F1.6 (30IRE. PAL: 1/3s, NTSC:1/4s) B/W Mode: 0.01 lux @ F1.6 (30IRE. PAL: 1/3s, NTSC:1/4s)
Horizontal	540TVL		550TVL
S/N Ratio	>50dB		
Video Output	1.0 ± 0.2 Vp-p		
Backlight Compensation	ON/OFF		
Sync System	Internal/External		
WDR	OFF/WDR/AD WDR/ WDR*/ AD WDR*	OFF/WDR/AD WDR/ WDR*/AD WDR*	OFF/HISTOGRAM/EXPOSURE RATIO/AUTO
FNR	OFF/AUTO/MANU	OFF/AUTO/MANU	ON/OFF
Stabilization	/	ON/OFF	ON/OFF
Digital Zoom	1~12X Adjustable		
DSS	Yes	Yes	Yes
Focus	M/A / AUTO / MANU		
White Balance	AUTO/MANU/MERCU/SODI	AUTO/MANU/MERCU/SODI	AUTO/MANU/INDOOR/OUTDOOR /OUTDOOR AUTO/SODI/ATW
Shutter Speed	Auto: Default Set Manual: PAL: 1/1.5~1/30000s NTSC: 1/2~1/30000s	Auto: Default Set Manual: PAL: 1/1.5~1/30000s NTSC: 1/2~1/30000s	Auto: Default Set Manual: PAL: 1/3~1/10000s NTSC: 1/4~1/10000s
Iris	M/A / AUTO / MANU		