

# JVC®

The Perfect Experience / —

Vandal Resistant

1/3" CCD FIXED DOME CAMERA

## TK-C2201UA



## Super LoLux™

COLOR IN VIRTUAL ZERO LUX



## 600 TV Lines Easy Day/Night



### ■ High-Resolution of 600 TV Lines

Newly developed 14bit DSP enables industry-leading high quality pictures

### ■ Super LoLux™ Sensitivity

0.05 lx at color mode (50% video level, F1.2, AGC HIGH)  
0.03 lx at B&W mode (50% video level, F1.2, AGC HIGH)

### ■ Industry-leading S/N Ratio of 52dB

### ■ 3D Noise Reduction

Powerful system to reduce noise in dark environments

### ■ Up to 128x of Slow Shutter

Increases visibility even in low light situations

### ■ Area White Balance

New function that can apply Auto White Balance to a specific area

### ■ Black Level Adjustment

Intelligent adjustment for dark areas to provide images without black out

### ■ Fine Focus Adjustment Technology

Newly developed mechanism for finer and more accurate focus adjustment

### ■ Variety of Functions for Precise Monitoring

- Automatic Gain Control (AGC)
- 4 Area Patterns for Backlight Compensation (BLC)
- Manual and Auto Tracking White Balance
- 1.4x/2.0x Digital Zoom
- Privacy Mask for protecting intrusive monitoring
- Display Mode Selection for CRT and LCD
- CCD White Spot Compensation
- Focus Adjustment Mode for accurate focusing
- Triple Axis Rotation for flexible lens angle adjustment
- 24VAC/12VDC Dual Voltage

### ■ Eco-Friendly Super Low Power Consumption

Approx. 40% lower than conventional models



# High-Resolution Day & Night Surveillance Camera with Ultra-Compact, Vandal-Resistant Design

## Super LoLux™ "COLOR IN VIRTUAL ZERO LUX"

This camera has been designed to assure precise color reproduction in low light situations. It is possible to identify image colours in much darker places.



Normal camera



JVC Super LoLux™

## 3D Noise Reduction (3DNR)

3DNR is the powerful method to improve image quality even though it's shot in the dark. Noise data is detected by comparing some continuous frames and reduced by blending it into other frames over time.



Normal



3DNR

## Fine Focus Adjustment Technology

For assisting focusing to the finest point, the Variable-Focal lens now incorporates a newly developed focus gear mechanism (Patent Pending).



### New "Fine Adjust" mechanism

With a very subtle movement, finer, more accurate adjustment is possible.

Patent Pending

Normal Focus ring and lock screw

## RCA Monitor Output for Quick Installation

An external monitor can be connected via the RCA jack. You can easily check the camera angle on the spot during or after installation.

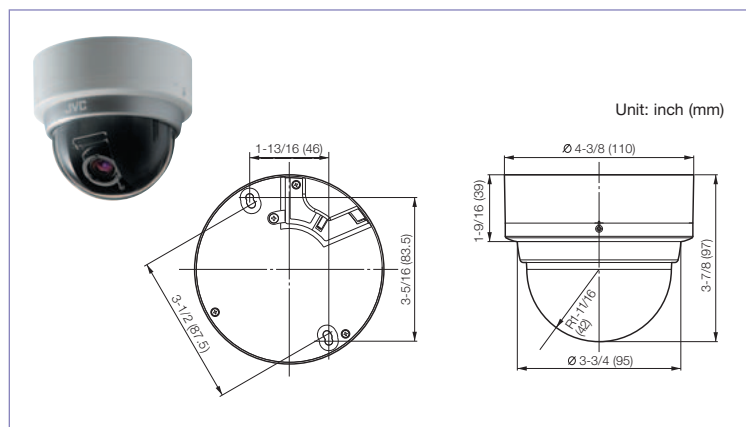


## Specifications

TK-C2201UA

Signal system	NTSC
Image device	1/3 type IT CCD
Number of effective pixels	380,000 (768H x 494V)
Sync system	Internal
Scanning system	2:1 interlace, 525 lines
Scanning frequency	15.734kHz (H), 59.94Hz (V)
Video output	Composite video signal: 1.0V (p-p), 75 ohms (BNC)
Video S/N ratio	52 dB (AGC off)
Horizontal resolution	600 TV lines
Minimum illumination (typical)	0.05 lx (50%, F1.2, AGC HIGH) 0.025 lx (25%, F1.2, AGC HIGH)
B&W mode	0.03 lx (50%, F1.2, AGC HIGH) 0.015 lx (25%, F1.2, AGC HIGH)
Iris control	DC iris
White balance	ATW (wide/narrow) / AWC / Manual (ATW color temp. range: 2300K to 10,000K)
Day/Night	Easy D/N
3DNR	NORMAL / HIGH
Display mode (Monitor type)	LCD1/LCD2/CRT
BLC	off/on (4 patterns)
AGC	OFF/MID/HIGH
Sens-up	off / x2 to x128
Digital zoom	x1, x1.4, x2
Privacy mask	4 areas
Focus adjustment mode	Yes
Lens	
Focal length (angle of vision)	2.8mm to 10.5mm, 3.75x vari-focal (100 (H) x 73 (V) to 24 (H) x 21 (V))
Aperture ratio	F1.2 (f=2.8mm) to F3.6 (f=10.5mm)
Angle Adjustment range	Horizontal: 350°, Vertical: ±80°, Rotation: ±100°
Power supply	24VAC (60Hz) / 12VDC UL listed
Power consumption	2.3 W
Operating temperature range	14°F to 122°F (-10°C to 50°C) (32°F to 104°F (0°C to 40°C) recommended)
Vandal protection	Vandal Resistant
Dimensions (WxHxD)	ø4-3/8" x 3-7/8" (H) (ø110mm x 97mm (H))
Weight (approx.)	0.73lbs (330g)

## Dimensions



Note: Screen images are explanatory purpose and not actual images attained using this product. All brand or product names may be trademarks and/or registered trademarks of their respective owners. Copyright © 2011, Victor Company of Japan, Limited. All Rights Reserved.

# JVC®