

JVC®

The Perfect Experience / — /

PTZ DOME CAMERA

TK-C686E

OUTDOOR PTZ DOME CAMERA

TK-C686WPE

36x Optical Zoom Color Camera with Direct Drive Motor for Quick, Silent, and Accurate Operation

TK-C686WPE Outdoor model

★ **0.04 lx** Super LoLux™
(in B&W mode)

★ **0.5 lx** Super LoLux™
(in Color mode)



+ **36x**
Zoom

Direct
Drive Motor

Stabilizer

Tracking

540 TV Lines

- **0.03° Super Accuracy for Preset Positions**
Direct Drive Mechanism maintains accurate camera positioning even at 36x magnification
- **0.04°/sec to 500°/sec Pan Speed Flexibility**
Direct Drive Mechanism enables both quick position changes by high-speed panning and detailed monitoring by slow panning
- **High-Resolution of 540 TV Lines**
1/4" IT CCD with approx. 440,000 effective pixels captures precise images for high-quality monitoring
- **Day/Night Function with IR Cut Filter**
Automatic switching between day and night modes for reliable round-the-clock surveillance
- **Effective Backlight Compensation**
ExDR (by dual shutter) Function allows secured monitoring even in backlit situations
- **Super LoLux™ Sensitivity**
0.04 lx at B&W mode (25 % video level, F1.6, AGC SUPER)
0.5 lx at color mode (25 % video level, F1.6, AGC SUPER)
- **Super Silent Mechanism**
Direct Drive Motor provides minimum-noise operation for use in quiet environments such as museums, libraries and hospitals
- **Screw-free Easy Installation**
One-touch lock mechanism for quick and easy installation and maintenance
- **Dust- and Waterproof Design (TK-C686WPE)**
IP66-standard robust design suitable for outdoor monitoring system

TK-C686E Indoor model



All The Precision and Quality to Capture the Crucial Moment

JVC's new dome camera puts everything you'd want from a surveillance camera into a stylish design. The TK-C686 Series incorporates a newly developed Direct Drive Motor for its pan/tilt mechanism to ensure long-term preset position accuracy that far outshines conventional belt-type drives. It also contributes to lower operation noise, which is essential for use in hospitals, museums and other quiet environments. With its high-performance and host of intelligent features, the TK-C686 Series makes your surveillance system more powerful and reliable for a wide array of environments.



* at B&W mode



Direct Drive Motor – Newly-developed mechanism to offer precise and highly responsive pan/tilt movement

The Direct Drive Motor enables perfect control of camera mechanism speeds, even at high 36x magnification the camera can quickly and accurately capture images, from 500°/sec to 0.04°/sec at the slowest creep speed.

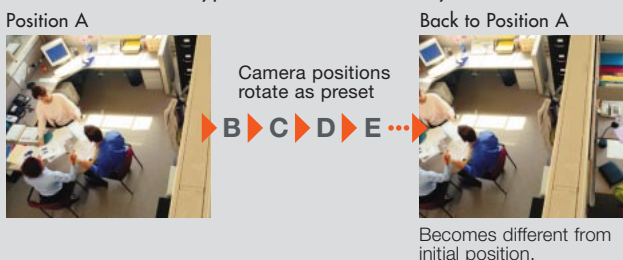
Direct Drive Motor Mechanism Maximizes the Power of 36x Zoom

■ Silent and Accurate Operation for Reliable Monitoring

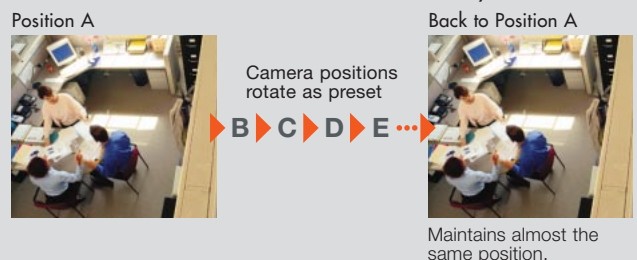
Instead of a conventional belt-type mechanism, the TK-C686 Series incorporates a Direct Drive Motor for Pan/Tilt operation, greatly increasing accuracy and decreasing operation noise. With an accuracy of 0.03°, it can precisely maintain preset camera positions even after frequent panning and tilting, which becomes especially important at high zoom magnifications like 36x. With an ordinary camera (with low accuracy such as 0.1°), the camera position gradually shifts each time

the camera is panned or tilted, so that after frequent usage the position becomes totally different from the initial correct position. The higher the zoom ratio a camera offers, the more crucial its accuracy becomes, and with its Direct Drive Motor, high accuracy is assured. Another benefit of the Direct Drive Motor is low operation noise, making the TK-C686 Series an ideal unit for use in hospitals or museums where silent operation is a must.

■ Conventional belt-type unit with low accuracy



■ TK-C686 Direct Drive Motor with 0.03° accuracy



Images are explanatory purposes and are not actual images attained using this product.

Quick and Easy Installation and Maintenance

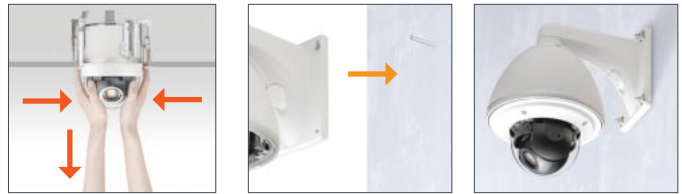
Thanks to its "One-touch lock" mechanism, installation is extremely easy. Simply insert the camera unit to the bracket, and that's all, greatly reducing time and cost for installation and maintenance.

■ TK-C686E (Eg.: Ceiling recessed installation)



- 1 Install the ceiling bracket (option) on the ceiling, and screw the camera's ceiling mount section onto it at 3 points.
- 2 Push the camera straight up into the ceiling mount section. If done correctly, you will hear a click as it locks into place.
- 3 Cover the unit with the Ceiling Panel (option), and you're finished.

■ TK-C686WPE (Eg.: Wall mount installation)



- 1 Detachment
To remove, press the Lock buttons located on both sides of the camera to release the locks, then pull the camera straight down.
- 2 Insert the camera's mounting hole over the wall's anchor bolt, and tighten the nut to affix. (Bolt in 4 locations to secure the camera.)
- 3 Run the cable through the inside of the arm and then cap it, and you're finished.

Proven Reliability with JVC Standard: 2 million zooms/4 million focusing operations

Assurance of reliability comes not only from JVC's long years of experience and solid track record, but also by inspecting every single product at our QC facility based on our strict quality standards. For the TK-C686 Series,

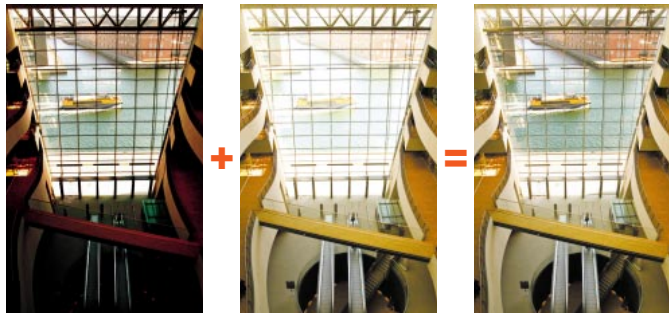
this includes grueling tests for Pan/Tilt and Zoom in/out movement accuracy, and for the TK-C686WPE outdoor model, severe tests against water and dust are applied to ensure stable performance that conforms to the IP66

Standard. You can also count on its durability. Both models have been designed to endure long-term usage by assuming approx. 2 million times of zooming and 4 million times of focusing. (Numbers are guides and may vary depending on the usage conditions.)

Full-featured intelligent security camera for a variety of environments

■ ExDR (Extended Dynamic Range) with Dual Shutter

Bright areas of a scene are shot with a high-speed shutter while dark areas receive normal exposure. Both sets of data are then combined to create a single, well-balanced image with light and dark areas perfectly exposed.



Bright outside area shot with a high speed shutter

Dark indoor area shot with a normal speed shutter

Well-balanced image with ExDR

■ Privacy mask for protecting against intrusive monitoring

Up to 8 masked areas can be set as hidden areas to protect subjects from invasion of their privacy.



Without Private mask

With Private mask

■ Electronic Sense Up for low-light situations

Electronic sense up function provides higher sensitivity level for monitoring in dark locations by lengthening the exposure time automatically.

■ Display mode for CRT and LCD

By choosing the display mode that matches the monitor being used, you'll get images with optimal brightness regardless of whether you are using a CRT or LCD monitor.

■ IR Cut filter ON/OFF function for round-the-clock surveillance

The IR cut filter automatically switches between ON and OFF according to the level of ambient light. In daytime it outputs a high-quality color image, and at night the filter mechanism removes the IR filter to output black-and-white images with greater sensitivity. When utilizing IR lamps, an external trigger for night mode is recommended.

■ Image Stabilizer to correct image blur

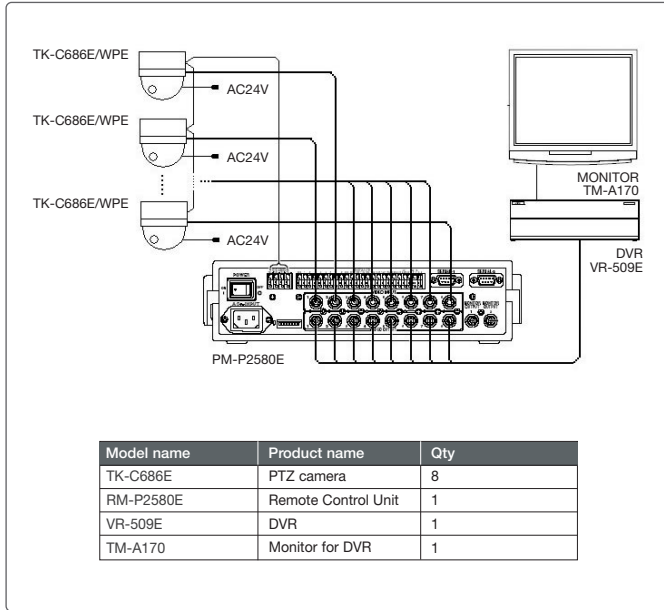
Even in cases where the camera is shook by the wind or vibrations coming from its surroundings, the Image Stabilizer function helps reduce image blur. This function is invaluable in outdoor setups, such as Pendant mount style installations which are especially susceptible to the effects of vibrations.

■ Motion Detect and Tracking function

This function outputs an alarm whenever movement is detected within a pre-specified area of the image. It can also be used to automatically track a moving object or person for about 30 seconds. (The red frame of the detected subject is shown only in Demonstration Mode.)



Multi-Drop Communication System with RM-P2580E



Optional Accessories

For TK-C686E

- WB-S682U Wall mount
- WB-S685U Ceiling recessed
- WB-S681U Pendant mount



For TK-C686WPE

- WB-S684U Outdoor pendant mount



RM-P2580E Remote Control Unit

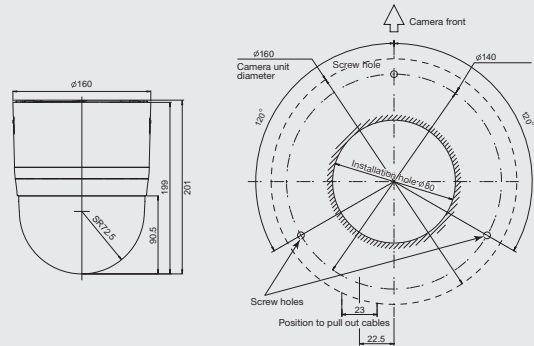


Specifications

CAMERA	
Image device	1/4" Interline CCD
Number of effective pixels	440,000 (752H x 582V)
Sync system	Internal, Line lock
Scanning system	Interlace
Scanning frequency	15.625 kHz (H), 50.0 Hz (V)
Video output	Composite video signal: 1.0V (p-p), 75 ohms
Video S/N ratio	50dB (Typ. AGC OFF), 48dB (Min. AGC OFF)
Horizontal resolution	540 TV lines (Typ.), 520 TV lines (Min.)
Minimum illumination (typical)	
Color mode:	0.5 lx (25% video level, F1.6, AGC SUPER) 1.0 lx (50% video level, F1.6, AGC SUPER)
B&W mode:	0.04 lx (25% video level, F1.6, AGC SUPER) 0.08 lx (50% video level, F1.6, AGC SUPER)
Iris control	Auto/Manual
White balance	ATW (Narrow/Wide), AWC ATW Wide color temperature range: 2300K to 10000K ATW Narrow color temperature range: 3200K to 8000K
Extended dynamic range	On/Off
AES	1/50 to 1/10000 (8 steps)
Backlight compensation	4 photometry areas selectable
AGC	Off/Mid/High/Super
Sensitivity up	Off/x2, 4, 8, 16, 32, 64, 128
Day/Night	IR Cut Filter On/Off
Auto tracking	On/Off
Private mask	8 positions in total
Stabilizer	On/Off
Display mode	CRT/LCD1/LCD2
LENS	
Zoom ratio	36x optical (32x digital)
Focal length	f=3.43 mm to 122 mm
Max. aperture ratio	F:1.6 (f=3.34 mm) to F:4.5 (f=122 mm)
MECHANISM (PTZ)	
Panning	360° endless type
Panning speed	0.04°/sec to approx. 500°/sec (at preset)
Tilting	-0.5° to 185° (with tilt limit function)
Tilting speed	0.04°/sec to approx. 500°/sec (at preset)
Control protocol	JVC, Pelco P/D
GENERAL	
Power supply	24 V AC (50 Hz/60 Hz)
Preset position	100
Power consumption	TK-C686E: 1.3 A TK-C686WPE: 2.7 A
Operating temperature range	TK-C686E: -10°C to 50°C, 0°C to 40°C (recommended) TK-C686WPE: -40°C to 50°C (always power on), -30°C to 40°C (recommended)
Dust and water protection	IP66 (TK-C686WPE)
Dimensions (WxHxD)	TK-C686E: ø160 mm x 201 mm (H) TK-C686WPE: ø260 (incl. housing) x 385 (H: incl. bracket) x 350 (D: incl. bracket)
Weight	TK-C686E: less than 2600 g (incl. bracket) TK-C686WPE: less than 5300 g (incl. bracket)
Optional accessories	TK-C686E: Wall mount, Ceiling recessed, Pendant mount TK-C686WPE: Outdoor pendant mount

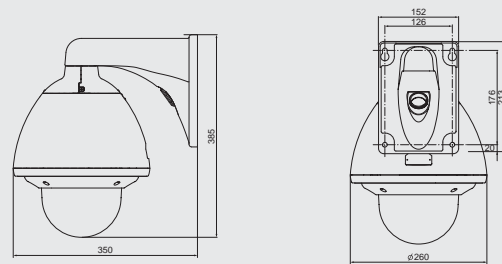
Dimensions

TK-C686E



Unit: mm

TK-C686WPE



Unit: mm

JVC®