

# RC1202HD-5241

## H.264 Full HD Box IP Camera

RIVA's superb technology provides state-of-art High-Definition IP Camera.

- H.264 Full Frame at HD 720/1080P
- Video Compression: H.264, MJPEG
- Ultra Image Quality
- Burnt-in Text, Video Motion Detection Support
- Two-way Audio
- SD Memory Support
- Remote Firmware Upgrade over Network
- Comprehensive SDK Support

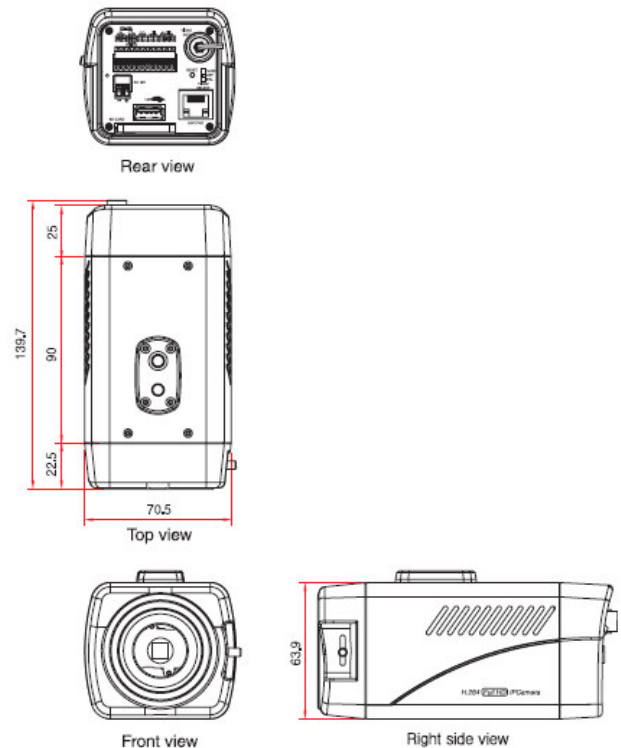


3~8mm Lens (CS mount) is optional

### Specifications

Camera Module	
Image Sensor	1/2.7" 1080p CMOS
Effective Pixels	1920 x 1080 (HD1080p, 2M)
Scanning System	Progressive Scan
Dynamic Range	69 dB
S/N Ratio	37 dB
Minimum Illumination	0.2 Lux (50 IRE)
Lens (Bundle Option)	3.1 ~ 8mm, F1.2
Day & Night	IR Cut Filter Remove
Video	
Megapixel Compression	H.264, MJPEG
Compression Format	H.264, MJPEG
Number of Streams	1
Resolution	HD1080 / HD720 / XGA / D1 / 4CIF / VGA / CIF / QVGA / QCIF
Compression FPS	Full-frame@HD1080 Full-frame@HD720
Motion Detection	Built-in (DSP)
Burnt-in Text	Video stream overlay text (DSP)
Analog Output	1 Loop Out
Audio	
Input	1 channel
Output	1 channel
Compression Format	G.711
Function	
Digital Input	1
Digital Output	1
Serial Port	RS-485, RS-422
Network	100 Base-T
Protocol	TCP/IP, UDP/IP, HTTP, RTSP, RTCP, RTP/UDP, RTP/TCP, SNMP, mDNS, UPnP, SMTP, SOCK, IGMP, DHCP, FTP, DDNS, SSL v2/v3, IEEE 802.1X, SSH, SNMP v2/v3
USB 2.0	A Plug (Local storage, Wireless LAN)
SD Memory	Optional, SD up to 16GB
Electrical	
Power Source	12V DC
Power over Ethernet	Support (IEEE 802.3af)
Power Consumption (Approx)	700 mA @ +12V
Environmental	
Operating Temperature	For DC12V: 0 °C ~ 50 °C (32 °F ~ 122 °F) For PoE: 0 °C ~ 45 °C (32 °F ~ 113 °F)
Operating Humidity	Up to 85% RH (Non-condensing)
Mechanical	
Material	Aluminum Die Casting
Color	Cool Gray
Dimension	71(W) x 64(H) x 140(D) mm
Weight (Approx)	500g

### Dimension



(unit: mm)