

SN-TPT4201ZZ/M(III)

Temperature Alarm PT Network Camera



- On-Board Temp-Detection Algorithm
- Effective Pixels 400x300
- Sensitivity 40mK
- 25/50/75/100mm Motorized Lens Optional
- 20 Spots / 2 Lines / 16 Areas Temperature Detection
- 17 Color Control
- Power Off Self-Locking, Strong Wind Resistance
- Anti-Frozen
- Standalone Operating

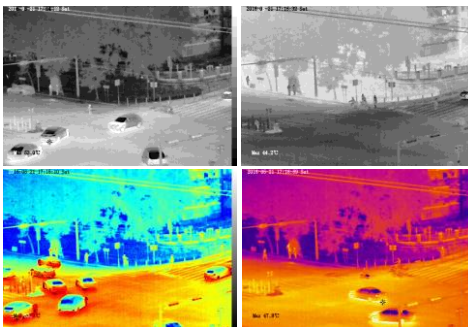
System Overview

Featuring a motorized lens PT camera, this series provides an all-in-one solution that is especially beneficial for long distance video surveillance in outdoor applications. Together with Thermal technology, the camera's long range capabilities are able to be utilized even at night.

Functions

Image Color Modes

White hot/black hot/iron bow/rainbow up to 17 modes



Temperature Detection

20 spots, 2 lines, 16 areas
Temp-Detection Range: -40°C~150°C (-40°F~302°F)



Compatibility

ONVIF Compatible, also provide CGI and SDK for integration



IVS Security

Video Analytics with Perimeter, Single Virtual Fences, Double Virtual Fences, Object Left, Object Removed



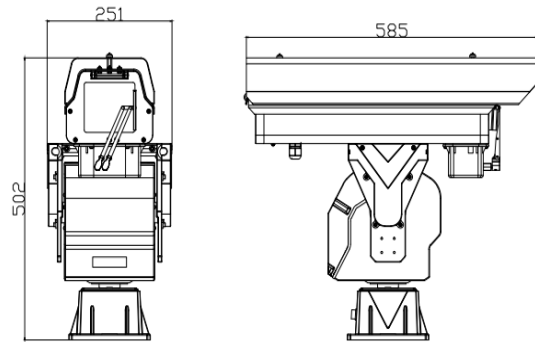
Technical Specification

Thermal Camera				
Detector Type	Uncooled IRFPA Microbolometer			
Effective Pixels	400(H) × 300(V)			
Pixel Size	17um			
Thermal Sensitivity (NETD)	40mK @F1.0, 300K			
Spectral Range	8~14um			
Image Setting	Polarity LUT/ DVE/ Mirror/ FCC/ /3D DNR Brightness/Contrast/ ROI			
Color Palettes	Black-Heat /White-Heat/Rainbow/Iron-Red up to 17 modes			
Thermal Lens				
Lens Type	Fixed			
Focus Control	Motorize Focus			
Focal Length	25mm	50mm	75mm	100mm
F No.	F1.0	F1.0	F1.0	F1.0
Angle of View	H:15.4° V:11.6°	H: 7.7° V:5.8°	H: 5.1° V:3.8°	H: 3.8° V:2.3°
Detection Distance Fire(1m*1m)	735m	1471m	2206m	2941m
Detection Distance Man(1.8m*0.5m)	735m	1471m	2206m	2941m
Detection Distance Vehicle(4m*1.5m)	2255m	4510m	6765m	9020m
Recognition Distance Fire(1m*1m)	245m	490m	735m	980m
Recognition Distance Man(1.8m*0.5m)	184m	368m	551m	735m
Recognition Distance Vehicle(4m*1.5m)	564m	1127m	1691m	2255m
Video and Audio				
Compression	H.265, H.264, MJPEG			
Frame Rate	Main Stream: D1 @25/30fps Sub Stream: CIF @25/30fps			
Bit Rate Control	CBR/VBR			
Bit Rate	100Kbps~6Mbps			
Region of Interest	Off / On (8 Zone, Rectangle)			
Electronic Image Stabilization(EIS)	N/A			
Digital Zoom	16x			
Mirror	Support			
Defog	Support			
Motion Detection	Support			
Privacy Masking	Off / On (4 Area, Rectangle)			
DVE Image Enhance	Support			
Audio Compression	G.711, AMR, RAW_PCM (Optional)			
Intelligence				
Intelligent Functions	Motion detection, Disk alarm, I/O alarm, Temperature alarm			
IVS	Perimeter, Single Virtual Fences, Double Virtual Fences, Object Left, Object Removed			

PTZ	
Pan/Tilt Range	Pan: 0° ~ 360° endless; Tilt: +40° ~ -75°
Pan/Tilt Speed	Pan: 0.01° ~60° /s; Tilt: 0.01° ~30° /s
Preset Speed	Pan: 0.01° ~60° /s; Tilt: 0.01° ~30° /s
Presets	400
PTZ Mode	8 Auto Scan, 12 Tour, 6 Track
Speed Setup	Auto/Manual (0-8),
Power Off Memory	Support
Idle Motion	Activate Preset/ Scan/ Tour/ Pattern if there is no command in the specified period
Protocol	SN-SD, Pelco-D
Temperature Detection	
Detection Mode	Spot, Line, Area
Detection Preset	Spot: 20, Line: 2, Area: 16
Temperature Alarm	Over temperature alarm, Temperature difference alarm
Accuracy	±2℃ / ±2%
Response Time	≤30ms
Effective temperature working environment	-40℃~60℃(-40°F~140°F)
Theory of temperature measurement range	-40℃~150℃(-40°F~302°F)
Temperature display mode	Temperature target >5℃, Display absolute temperature value, Temperature target ≤5℃, Display relative temperature value (temperature difference DEV = highest value - average)
Network	
Ethernet	RJ-45 (10/100Base-T)
Protocols:	IPv4/IPv6 ,HTTP,RTSP/RTP/RTCP, TCP/UDP, DHCP, DNS, PPPOE, SMTP, SIP ,802.1x
Interoperability	ONVIF, CGI
Streaming Method	Unicast
Max. User Access	10 Users
Edge Storage	NAS Local PC for instant recording Micro SD card 128GB
Web Viewer	<IE11, Chrome, Firefox
Web Language	English, Chinese, Polish, Italian, Portuguese, Spanish, Russian, French, Czech, Hungarian
Interface	
Ethernet	1 Ethernet (10/100 Base-T) RJ-45 Connector
Audio Interface	1ch Audio In,1ch Audio Out
Alarm	2ch Alarm In,2ch Alarm Out
RS485	Support
BNC Output	Support
Reset Button	Support(Built-in)

General		
Power Supply	DC36V	
Power Consumption	Max 100W	
Operating Temperature	-40°C~-60°C(-40°F~140°F)	
Storage Conditions	0~ 90% RH	
Certifications	CE /FCC	
Ingress Protection	IP66	
Casing	Metal	
Dimensions	585 × 251 × 502mm	
Net Weight	22.5Kg (Contains 50 mm lens)	
Ordering Information		
Type Part	Number	Description
SN-TPT4201ZZ/M(III)	SN-TPT4201ZZ/M25/ZSC30(III)	Thermal: 400 × 300 25mm Motorized lens
	SN-TPT4201ZZ/M50/ZSC30(III)	Thermal: 400 × 300 50mm Motorized lens
	SN-TPT4201ZZ/M75/ZSC30(III)	Thermal: 400 × 300 75mm Motorized lens
	SN-TPT4201ZZ/M100/ZSC30(III)	Thermal: 400 × 300 100mm Motorized lens

Dimensions(mm)



Accessories

Optional: N/A