

JVC[®]

PROFESSIONAL

1/3" CCD COLOR VIDEO CAMERA

TK-C750U

Replacement of TK-C700U
(24V AC)

1/3-inch High-Sensitivity, CCTV
Surveillance Camera with Digital Signal
Processor for Use Under All Light
Conditions

0.28 Super LoLux™
lux



TK-C750U



TK-C700U

Shown with optional lens

- 1/3-inch IT CCD with 250,000 effective pixels
- Auto White Balance Tracking (ATW) and one-touch Auto White Balance (AWB)
- Auto White Balance adjustment range is from 2,300°K to 10,000°K
- Automatic Gain Control (Max. 26 dB)
- S/N ratio 50 dB (AGC off)
- Back-light Compensation
- Automatic Electronic Shutter
- DC iris lens connection
- AC 24V power operation

CCTV surveillance camera with almost full night-shooting capability in a compact, cost-effective package

JVC's high-sensitivity TK-C750U CCTV surveillance camera packs powerful features, including an innovative digital signal processor for Super LoLux (0.28 lux minimum) shooting applications and outstanding color reproduction, yet delivers them in a package that offers outstanding value and reliability.

■ 1/3-Inch CCD with 250,000 effective Pixels

JVC's TK-C750U comes with a 1/3-inch Interline Transfer (IT) CCD for accurate color reproduction, high sensitivity, and crisp pictures with no image lag or distortion.

■ Detail Correction — Horizontal and Vertical: 2H (dual)

JVC's TK-C750U provides exceptional detail — horizontal and vertical — with a 2 H line memory for security imaging applications.

■ Digital Signal Processor (DSP)

JVC's innovative Digital Signal Processor (DSP) automatically adjusts camera parameters to ensure sharp, natural pictures (330 TV lines of horizontal resolution) in near total darkness. It also provides a Super LoLux shooting capability for mission critical surveillance applications.

■ Automatic Gain Control (AGC)

Automatic Gain control (AGC: range from 0 to 26 dB), supported by CCD and DSP functions, automatically adjusts gain to the appropriate value for ambient light conditions.

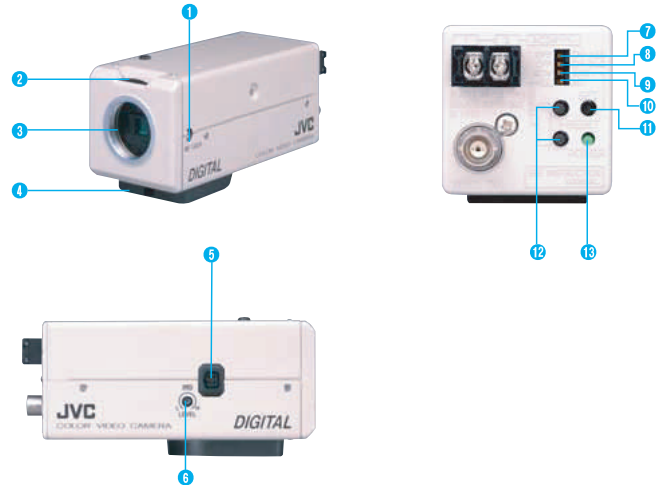
■ Auto White Balance

Built-in Automatic White Balance Tracking (ATW) and One-touch White Balance (AWB). Auto White Balance is adjusted automatically over the color temperature range of 2,300°K to 10,000°K. White balance also can be adjusted with one-touch operation for easy camera set-up under various lighting conditions.

■ Signal to Noise (S/N) ratio of 50 dB-AGC ON

The TK-C750U features a signal to noise ratio of 50 dB for sharp pictures with very precise color reproduction even with the AGC activated.

Controls, Connectors and Indicators

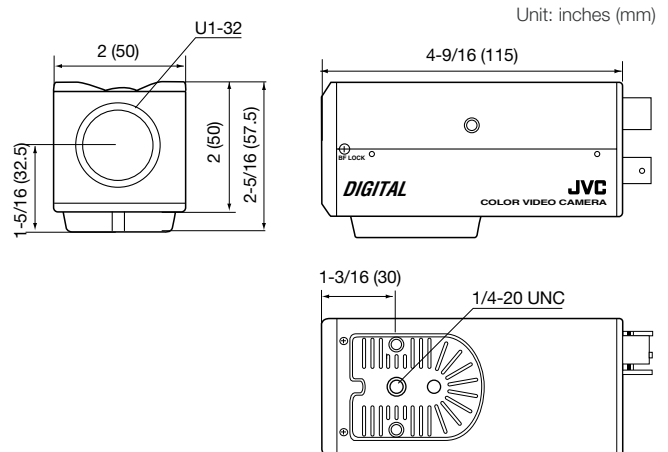


- 1 BACK FOCUS locking screw
- 2 BACK FOCUS adjustment and C/CS mount selector ring
- 3 Lens mount (C or CS)
- 4 Camera mounting bracket
- 5 IRIS connector
- 6 LEVEL volume
- 7 AUTOMATIC ELECTRONIC SHUTTER switch
- 8 BACK LIGHT COMPENSATION switch
- 9 AUTO WHITE BALANCE select switch
- 10 LL/INT select switch
- 11 SET button
- 12 RESET button
- 13 Power Indication

Specifications

Image device	1/3" IT CCD, 510 (H) x 492 (V)
Sync system	Internal, Line Lock (60 Hz regions only)
Scanning frequency	15.734 kHz (H), 59.94 Hz (V)
Horizontal resolution	330 TV lines
Video output	Composite video signal 1 V(p-p), 75 ohms, unbalanced
Video S/N ratio	50 dB
Minimum required illumination	0.28 lux (F1.2, 25%) 0.55 lux (F1.2, 50%)
Lens mount	C/CS mount
Power requirement	AC 24 V (60 Hz)
Power consumption	3.3 W
Operating temperature range	14°F to 122°F/-10°C to 50°C 32°F to 104°F/0°C to 40°C (recommended)
Weight	0.75 lbs./340g

Dimensions



JVC®