



AVX102

USB Joystick

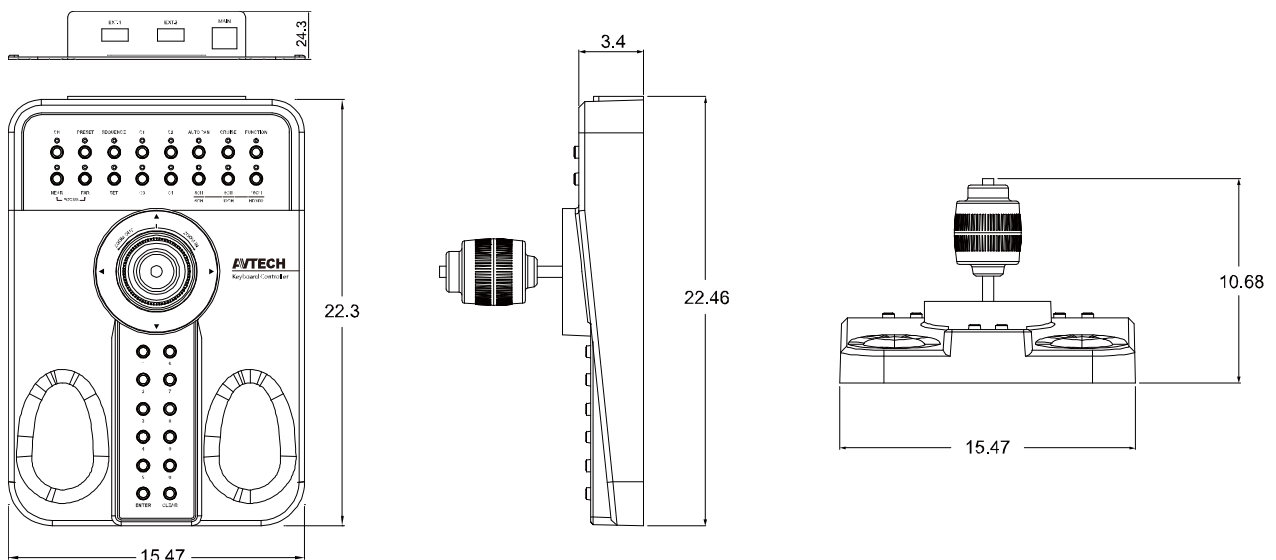


SPECIFICATIONS*

| | |
|-----------------------|--|
| Joystick performance | 3-axis joystick for PTZ control |
| LED Indicator | 6 indicators for CH / PRESET / SEQUENCE / AUTO PAN / CRUISE / FUNCTION |
| Interface | USB port |
| Supported protocols | Fully compliant with USB Hub Specification version 2.0 and is also backward compatible with USB Hub specification 1.1 |
| Buttons | 25 dedicated buttons / 4 programmable buttons |
| Connectors | USB Type A x 2 (For mouse / USB flash drive / keyboard connection to use with DVR / NVR) USB Type B x 1 (For power supply via PC / DVR / NVR) |
| Compatibility | Compatible with PC, AVTECH NVR and HD CCTV DVR to control AVTECH PTZ camera |
| Environmental | Indoor |
| Operating Temperature | 0°C ~ 60°C |
| Power | Via USB interface (DC 5V) / 100mA |
| Weight | 555g |

* The specifications are subject to change without notice.

DIMENSIONS (unit: cm)



* dimensional tolerance: ±5mm



KEYBOARD LAYOUT

