

# SCO-5083R

1000TVL (1280H) IR Bullet Camera

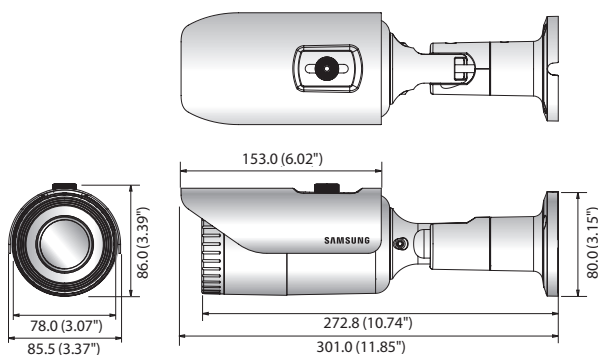


## Key Features

- High resolution of 1000TV lines (Color), 1000TV lines (B/W)
- Min. Illumination 0Lux (IR LED on), IR distance 50m
- 3.3x varifocal lens (3 ~ 10mm)
- 120dB WDR, Day & Night (ICR)
- SSSDR, SSNRIV, Defog, Intelligent video analytics
- IP66, IK10, Coax : Pelco-C (Coaxitron), RS-485, Dual power

## Dimensions

Unit : mm (inch)



	SCO-5083RN	SCO-5083RP
<b>VIDEO</b>		
Imaging Device	1/3" 1.3M CMOS	
Total Pixels	1,312(H) x 1,069(V)	
Effective Pixels	1,305(H) x 1,049(V)	
Scanning System	Progressive scan	
Synchronization	Internal	
Frequency	H : 15.734KHz / V : 59.94Hz	H : 15.625KHz / V : 50Hz
Horizontal Resolution	Color : 1000TV lines, B/W : 1000TV lines	
Min. Illumination	Color : 0.05Lux (F1.4, 50IRE), 0.001Lux (1sec, F1.4, 50IRE), 0.02Lux (F1.4, 30IRE), 0.0006Lux (1sec, F1.4, 30IRE) B/W : 0Lux (IR LED on)	
S / N Ratio	52dB (AGC off, Weight on)	
Video Output	CVBS : 1.0Vpp / 75Ω composite	
<b>LENS</b>		
Focal Length (Zoom Ratio)	3 ~ 10mm (3.3x) varifocal	
Max. Aperture Ratio	F1.4	
Angular Field of View	H : 82.0°(Wide) ~ 26.5°(Tele) / V : 59.7°(Wide) ~ 19.9°(Tele)	
Min. Object Distance	0.5m (1.64ft)	
Focus Control	Manual	
Lens Type	DC auto iris	
Mount Type	Board type	
<b>OPERATIONAL</b>		
On Screen Display	English, Chinese, Korean, Japanese, German, Italian, French, Spanish, Russian, Czech, Polish, Romanian, Serbian, Swedish, Danish, Turkish, Portuguese	
Camera Title	Off / On (Displayed 15 characters)	
Day & Night	Auto (ICR) / External / Color / B/W	
Anti IR Saturation	Top / Bottom / Left / Right	
Backlight Compensation	Off / User BLC / HLC / WDR	
Wide Dynamic Range	120dB	
Contrast Enhancement	SSDR (Off / On)	
Digital Noise Reduction	SSNR IV (Off / On)	
Defog	Off / Auto / Manual	
Purple Fringe Reduction	Off / Low / Middle / High	
Digital Image Stabilization	Off / On	
Tampering	Off / On	
Motion Detection	Off / On	
Intelligent Video Analytics	Fence, (Dis)Appear, Counting (Off / On)	
Privacy Masking	Off / On (24 programmable zones with 4 points polygonal masking)	
Gain Control	Off / Low / Middle / High	
White Balance	ATW / Outdoor / Indoor / Manual / AWC / Mercury (1,800K° ~ 10,500K°)	
Electronic Shutter Speed	1sec ~ 1/12,000sec	
Digital Zoom	Off / On (1x ~ 16x)	
Reverse	Off / H-Rev / V-Rev / HV-Rev	
Profile	Basic, Day & Night, Backlight, ITS, Indoor, User	
Alarm	1 Out	
Communication	Coaxial control (SPC-300 compatible)	
Protocol	Coax : Pelco-C (Coaxitron) RS-485 : Samsung-T/E, Pelco-D/P, Panasonic, Bosch, Honeywell, Vicon, AD, GE	
IR Distance	50m (164.04ft) (IR LED 36ea)	
<b>ENVIRONMENTAL</b>		
Operating Temperature / Humidity	-30°C ~ +55°C (-22°F ~ +131°F) / Less than 90% RH *Start up should be done at above -10°C (+14°F)	
Ingress Protection	IP66	
Vandal Resistance	IK10	
<b>ELECTRICAL</b>		
Input Voltage / Current	Dual (24V AC & 12V DC ±10%)	
Power Consumption	Max. 9.5W	
<b>MECHANICAL</b>		
Color / Material	Dark gray / ALDC	
Dimensions (WxH)	Ø78.0 x 272.8mm (3.07" x 10.74") (Without sunshield)	
Weight	1.5Kg (3.31 lb)	

\* The latest product information / sepecification can be found at <http://security.hanwhatechwin.com>

NETWORK CAMERA

NVR

NETWORK PERIPHERAL

ANALOG CAMERA

DVR

LENS

PERIPHERAL

MONITOR

CONTROLLER