

Beyond series 1280H Analog Cameras



SCD-5083

1280H WDR Dome Camera

- 950TV lines high resolution
- 120dB WDR, Day & Night (ICR)
- 0.03Lux@F1.2, 50IRE (Color),
0.003Lux@F1.2 50IRE (B/W)
- 0.01Lux@F1.2, 30IRE (Color),
0.001Lux@F1.2 30IRE (B/W)
- Samsung Super Dynamic Range (SSDR),
Samsung Super Noise Reduction IV (SSNR IV), Defog
- Video analytics : Fixed/Moved, Fence,
Tracking, Detection, Counting, Tampering
- Privacy masking 24 zones (4 point polygonal)
- 1x ~ 16x Digital zoom
- Coaxial communication

Samsung has redefined the analog market by introducing its new "Beyond" series, capturing quality images in 950TVL resolution. The SCD-5083 belongs to the 1280H Beyond analog camera series that provides 950TVL resolution with user-friendly and value added functions such as a 120dB Wide Dynamic Range, Day & Night, Samsung Super Dynamic Range (SSDR), Samsung Super Noise Reduction IV (SSNR IV) and Video Analytics (That includes Fixed / Moved, Fence, Tracking, Motion Detection, Counting and Tampering).

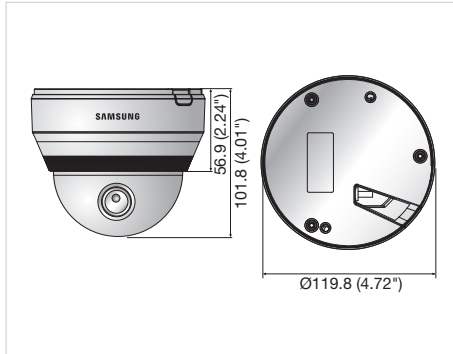


Key Features

- 950TV lines high resolution
- 120dB WDR, Day & Night (ICR)
- 0.03Lux@F1.2, 50IRE (Color), 0.003Lux@F1.2 50IRE (B/W)
- 0.01Lux@F1.2, 30IRE (Color), 0.001Lux@F1.2 30IRE (B/W)
- SSSR, SSSNR IV, Defog
- Video analytics : Fixed/Moved, Fence, Tracking, Detection, Counting, Tampering
- Privacy masking 24 zones (4 point polygonal)
- 1x ~ 16x Digital zoom
- Coaxial communication

Dimensions

Unit : mm (inch)



Accessory (Optional)



	SCD-5083N	SCD-5083P
VIDEO		
Imaging Device	1/3" 1.3M CMOS	
Total Pixels	1,312(H) x 1,069(V)	
Effective Pixels	1,280(H) x 1,024(V)	
Scanning System	Progressive scan	
Synchronization	Internal / Line lock (TBD)	
Frequency	H : 15.734KHz / V : 59.94Hz	H : 15.625KHz / V : 50Hz
Horizontal Resolution	Color : 950TV lines (TBD) B/W : 850TV lines (TBD)	
Min. Illumination	Color : 0.03Lux (F1.2, 50IRE), 0.01Lux (F1.2, 30IRE) (TBD) B/W : 0.003Lux (F1.2, 50IRE), 0.001Lux (F1.2, 30IRE) (TBD)	
S / N Ratio	52dB (AGC off, Weight on) (TBD)	
Video Output	CVBS : 1.0 Vp-p / 75Ω composite	
LENS		
Focal Length (Zoom Ratio)	2.8 ~ 10mm	
Max. Aperture Ratio	F1.2	
Angular Field of View	H : 94.6°(Wide) ~ 28.8°(Tele) / V : 68.4°(Wide) ~ 21.6°(Tele) (TBD)	
Min. Object Distance	0.5m (1.64ft)	
Focus Control	Manual	
Lens Type	DC auto iris	
Mount Type	Board type	
OPERATIONAL		
On Screen Display	English, Japanese, Spanish, French, Portuguese, Korean	English, French, German, Spanish, Italian, Chinese, Russian, Polish, Czech, Romanian, Serbian, Swedish, Danish, Turkish, Portuguese
Camera Title	Off / On (Displayed 15 characters)	
Day & Night	Auto (ICR) / Color / B/W	
Backlight Compensation	Off / User BLC / HLC / WDR	
Wide Dynamic Range	120dB (TBD)	
Contrast Enhancement	SSDR (Off / On)	
Digital Noise Reduction	SSNR IV (Off / On)	
Defog	Off / Auto / Manual	
Purple Fringe Reduction	Off / On	
Digital Image Stabilization	Off / On	
Motion Detection	Off / On	
Privacy Masking	Off / On (24 programmable zones with 4 points polygonal masking)	
Sens-up (Frame Integration)	2x ~ 60x	
Gain Control	Off / Low / Middle / High	
White Balance	ATW / Outdoor / Indoor / Manual / AWC (1,800°K ~ 10,500°K)	
Electronic Shutter Speed	1/60 ~ 1/120,000sec (TBD)	1/50 ~ 1/120,000sec (TBD)
Digital Zoom	Off / On (1x ~ 16x)	
Reverse	Off / H-Rev / V-Rev / HV-Rev	
Profile	Basic, Day & Night, Backlight, Indoor, User	
Intelligent Video Analytics	Fixed / Moved, Fence, Tracking, Detection, Counting, Tampering	
Alarm	1 Out	
Communication	Coaxial control (SPC-300 compatible)	
Protocol	Coax : Pelco-C (Coaxitron)	
ENVIRONMENTAL		
Operating Temperature / Humidity	-10°C ~ +55°C (+14°F ~ +131°F) / Less than 90% RH	
ELECTRICAL		
Input Voltage / Current	Dual (24V AC & 12V DC ±10%)	
Power Consumption	Max. 4W (TBD)	
MECHANICAL		
Color / Material	Ivory / Plastic	
Dimensions (WxH)	Ø119.8 x 101.8mm (Ø4.72" x 4.01")	
Weight	395g (0.87 lb) (TBD)	