

2.0 Megapixel In-Ceiling HD Micro Dome Camera



Avigilon's end-to-end surveillance solutions deliver image detail no other system can match. Avigilon Control Center software, featuring High Definition Stream Management (HDSM)[™] technology combined with our broad range of megapixel cameras (from 1 MP to 29 MP) provide unprecedented clarity—while effectively managing storage and bandwidth requirements. Our components are scalable and can work together in an end-to-end system, or can be customized to create your own powerful and cost-effective solution.

The innovative HD Micro Dome camera is just one way Avigilon can help provide the very best monitoring and protection.



The 2.0MP HD Micro Dome camera is the industry's smallest high-definition dome camera, enabling a cost-effective transition into HD video surveillance and all the advantages of the Avigilon Control Center. The 2.0MP HD In-Ceiling Micro Dome camera truly delivers a versatile solution for monitoring activities in a variety of environments including interior building entrances and hallways and for applications in retail, hospitality, financial & banking and commercial.

KEY FEATURES

2.0 megapixel progressive scan CMOS sensor
Unsurpassed image quality
30 images per second at full resolution
Snap-and-click mounting for quick and easy installation
86° horizontal angle of view allows for full room coverage from any corner
H.264 and Motion JPEG compression
ONVIF profile S compliant
Multiple video streams
Power over Ethernet

Specifications

CAMERA	
Image Sensor	1/3.6" progressive scan CMOS
Active Pixels	1920 (H) x 1080 (V)
Imaging Area	4.22 mm (H) x 2.38 mm (V); 0.166" (H) x 0.094" (V)
Minimum Illumination	0.6 lux (F2.0) in color mode
Dynamic Range	72.4 dB
Lens	2.8 mm, F2.0
Angle of View	86°
Image Compression Method	H.264 (MPEG-4 Part 10/AVC), Motion JPEG
Image Rate	30 (all resolutions)
Motion Detection	Selectable sensitivity and threshold
Electronic Shutter Control	Automatic, Manual (2 to 1/30000 sec)
Flicker Control	50 Hz, 60 Hz
White Balance	Automatic, Manual
Backlight Compensation	Adjustable
Privacy Zones	Up to 64 zones

NETWORK	
Network	100BASE-TX
Cabling Type	CAT5
Connector	RJ-45
API	ONVIF compliance version 1.02, 2.00, Profile S (www.onvif.org)
Security	Password protection, HTTPS encryption, digest authentication, WS authentication, user access log, 802.1x port based authentication.
Protocol	IPv4, HTTP, HTTPS, SOAP, DNS, NTP, RTSP, RTCP, RTP, TCP, UDP, IGMP, ICMP, DHCP, Zeroconf, ARP
Streaming Protocols	RTP/UDP, RTP/UDP multicast, RTP/RTSP/TCP, RTP/RTSP/HTTP/TCP, RTP/RTSP/HTTPS/TCP, HTTP

MECHANICAL	
Dimensions (ØxH)	91.00 mm x 107.54 mm (3.58" x 4.23")
Weight	150 g (5.29 oz) + 36 g (1.27 oz) for cable
Body	Plastic
Housing	Recessed mount
Finish	Plastic, RAL 9003 (RAL 9005 for -BL model)
Adjustment Range	360° pan, 90° tilt, 360° azimuth

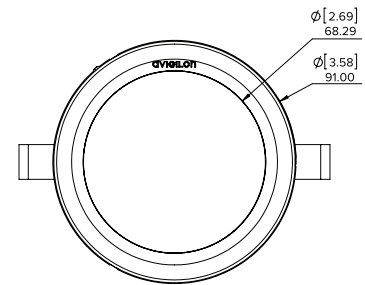
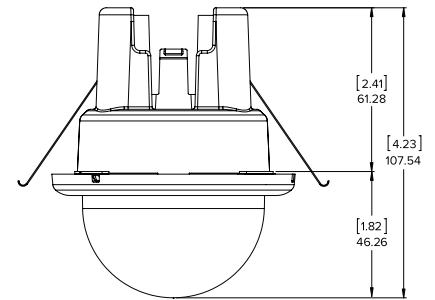
ELECTRICAL	
Power Consumption	4 W max.
Power Source	PoE: IEEE802.3af Class 1 compliant

ENVIRONMENTAL	
Operating Temperature	-10 °C to +50 °C (14 °F to 122 °F)
Storage Temperature	-30 °C to +70 °C (-22 °F to 158 °F)

CERTIFICATIONS				
Safety	UL 60950 CSA 60950	CB Scheme CE	ROHS WEEE	UVV C-Tick
Electromagnetic Emissions	FCC Part 15 Subpart B Class B		IC ICES 003 Class B	EN 55022 Class B
Eletromagnetic Immunity	EN 55024 Class B	EN 61000-4-2 EN 61000-4-3	EN 61000-4-4 EN 61000-4-5	EN 61000-4-6 EN 61000-4-11

ORDERING INFORMATION	
2.0-H3M-DC1	2.0 Megapixel In-Ceiling HD Micro Dome Camera
2.0-H3M-DC1-BL	2.0 Megapixel In-Ceiling HD Micro Dome Camera - Black

Outline Dimensions



[X.X]	INCHES
X	MM