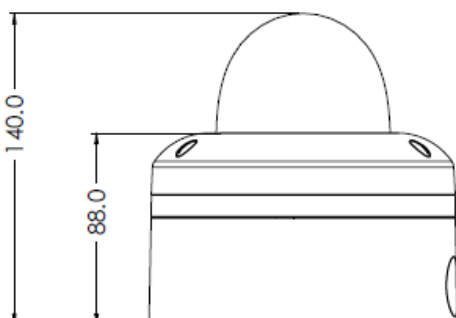
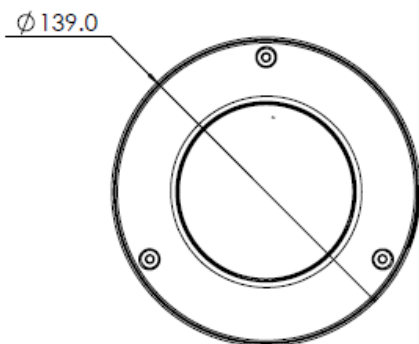


2M 5X HD IP NK PTZ CAMERA FNEN-0522



● DIMENSION



FEATURES

Real-time High Definition PTZ Camera

Using the state of art video compression engine, real time HD video streams of 1080p can be delivered for recording and monitoring.

Triple codec, Simultaneous Multi Streaming

Triple H/W codec enables to transmit max 3 independent streams with different settings for different requirements. Therefore, it is possible to combine seamless remote video monitoring using H.264 with simultaneous transmission of high quality MPEG-4 to Network Video Recorder. Also, additional MJPEG can be delivered for Mobile devices such as Smart Phone or PDA.

Local SD Card Backup

Some important sequence of still images can be stored in the SDHC memory card. This action can be configured to work with pre-post- alarm event or a given interval.

Day & Night by ICR

For increased sensitivity of image sensor efficiently, a mechanical actuator can shift infrared (IR) Cut filter to disengage from image path automatically in the low light environment.

POE

Built-in Power over Ethernet (IEEE 802.3af) makes installation easier, cheaper and more secure since Power over Ethernet can take advantage of UPS (uninterrupted power supply), which provides back-up power in case of a power failure.

Vandal Proof Design

All housing is designed to withstand rugged environments. Aluminum die-casting enclosure and Poly Carbonate clear dome enables stable 24hours security tasks.

Virtual Joystick on the Image

Virtual Joystick is inspired by real 3-Axis Joystick. You can decide PT direction by right clicking the image and change the zoom in out by scrolling mouse wheel. The PT speeds are proportional to how much you deviate mouse from the center. Using this function, control of PTZ is done in instinctive manner.

Auto Map Generation

After installing PTZ, make camera to generate the Scenery Map autonomously. It will process and stitch a series of pictures to make one overall Scenery map. Using Scenery map, you can quickly switch one place to another. By drawing a bow on the map, PTZ will move to the center of the box as well as adjust zoom ratio to match the box.

Specification

CAMERA	
Image Device	1/2.8" 2.0M CMOS
Total Pixels	2000(H)X1241(V)
Effective Pixels	Approx. 2 Mega pixels
Aspect Ratio	HD: 16:9 SD: 4:3
Zoom	X5 Optical Zoom / X12 Digital Zoom
Focal Length	f = 5 ~ 25.0 mm, F3.5 ~ F3.7
Horizontal angle	49.2°(W)~10.52°(T)
MIN. Illumination	Color: 0.1 Lux @ 30IRE, F3.5 B/W: 0.01 lux @ 30IRE, F3.5
Day & Night	Auto / Day / Night (ICR)
Focus	Auto/Manual
DNR	OFF/LOW/MIDDLE/HIGH
Shutter Speed	1/30sec ~ 1/60,000sec 1/25sec ~ 1/60,000sec
DSS	X2~X8
AGC	MAX 41dB
White Balance	Auto/Auto-Ext/Indoor/Outdoor/ One-push Mode/Manual
BLC	OFF/WDR/BLC/HLM
Other Functions	POWER UP ACTION, Parking Action

PAN / TILT	
Range	Pan : 360° (Endless)
	Tilt : 90°(Auto-Flip On), 90°(Auto-Flip Off)
Pan/Tilt Speed	Preset : 360°/ sec
	Manual : MAX 360°/sec
Preset	1024 Presets with Labels
Pattern	128 Patterns
Scan	128 Scans
Group	128 Groups (MAX. 20 Entries for Each Group)

GENERAL	
Digital In/Out	1 Input/ 1 Output
Audio In/Out	1 Input/ 1 Output
Power	DC 12V Max. 10W PoE IEEE 802.3af
Approvals	FCC, CE, IP66, ROHS
Housing	Vandal Proof Structure
Material	Body: Aluminum Die-casting Clear Bubble: Polycarbonate
Dimension	Net (Ø×H): 136 x 140 mm
Weight	1,520g
Operating Temp.	-10°C ~ 50°C

NETWORK		
OS	Embedded Linux	
Video Compression	Triple Codec,H.264/MPEG4/MJPEG	
Video Streaming	Multi Streaming CBR/VBR (Controllable frame rate and Bandwidth)	
Resolution	H.264 : 1080p/720p/D1/CIF MJPEG : 1080P/720p/D1/CIF/QCIF MPEG-4 : 720p/D1/CIF	
Frame Rate	Max. 30 /25 fps	
Local Storage	SDHC memory card (card is not included)	
Motion detection	Notification: FTP, e-mail, Alarm out, JPEG Recording on SD	
Max No. of Clients	10	
Protocols Support	IPv4	ONVIF, TCP/IP, UDP/IP, RTP(UDP), RTSP, NTP, HTTP,HTTPS, SSL, DNS, DDNS, DHCP, FTP, SMTP, ICMP, SNMPv1/v2c/v3(MIB-2)
	IPv6	TCP/IP, HTTP, HTTPS, DHCP
	DDNS	Proprietary: NET4C Public DDNS services Support: www.dyndns.com, www.no-ip.com
	Security	HTTPS(SSL), Digest Authentication(ID/PW)
OS Supported	Windows 7, Vista, XP, 2000	

<Optional Accessories>

