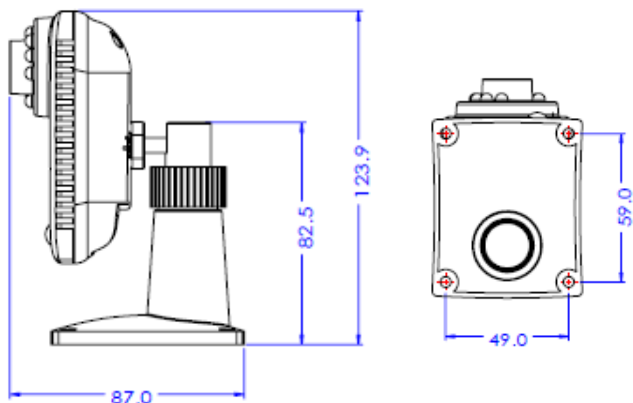


2M HD IP PIR IR CUBE CAMERA

CUN-B432-R



● Dimension



FEATURES

1. General Features

- 1/2.8" 2.0M CMOS Sensor
- 4.3mm Board Lens for Superior Image quality
- 12pcs IR LED
- True day and night ICR
- Onvif 2.2 support
-

2. Key Features

Real-time High Definition Dome Camera

Using the state of art video compression engine, real time HD video streams of 1080p can be delivered for recording and monitoring.

Triple codec, Simultaneous Multi Streaming

Triple H/W codec enables to transmit max 3 independent streams with different settings for different requirements. Therefore, it is possible to combine seamless remote video monitoring using H.264 with simultaneous transmission of high quality MPEG-4 to Network Video Recorder. Also, additional MJPEG can be delivered for Mobile devices such as Smart Phone or PDA.

Local SD Card Backup

Some important sequence of still images can be stored in the SDHC memory card. This action can be configured to work with pre-post- alarm event or a given interval.

POE

Built-in Power over Ethernet (IEEE 802.3af) makes installation easier, cheaper and more secure since Power over Ethernet can take advantage of UPS (uninterrupted power supply), which provides back-up power in case of a power failure.

Bidirectional Audio

Provide two-way audio support built in Microphone and speaker. This enables remote users not only to view, but also to listen in on an area and communicate orders or requests to visitors or intruders.

3. SPECIAL Features

Built in Passive IR sensor

PIR sensor can detect the moving unwanted objects by thermal characteristic even in totally dark area. Detectable movement speed is between 0.8 to 1.2m/s. When unauthorized access is detected, the sensor will send out notifications to the camera instantly

Hence it can be used to trigger event recording, E-mail alert secure the high level of security performance.

Specification

CAMERA	
Image Device	1/2.8" 2.0M CMOS
Image size	1920(H)X1080(V)
Effective Pixels	Approx. 2 Mega pixels
Aspect Ratio	HD: 16:9
Focal Length	4.3mm
Horizontal angle	86°
MIN. Illumination	2.4Lux(F1.6, 30IRE)
TDN	True Day & Night ICR
DNR	OFF/LOW/MIDDLE/HIGH
Shutter Speed	Auto,manual (1/30 ~ 1/60000)
AGC	auto
White Balance	Auto/preset/Manual
WDR	OFF/WDR/BLC/HLC
Other Functions	Image Flip/Mirror, Privacy Zone

GENERAL	
Digital In/Out	1 Alarm Built -In PIR Sensor In / 1 Out (Detection Range : 100 degrees horizontally with up to 5m long distance at vertically 82 degrees.)
Audio In/Out	1 Microphone / 1 Speaker
Power	DC 12V 4W PoE IEEE 802.3af
Approvals	FCC, CE, ROHS
Dimension (mm)	(W x L xH) : 51.3 x 87 x 123.9
Weight	160g
Operating Temp.	-10°C ~ 50°C

NETWORK		
OS	Embedded Linux	
Video Compression	Triple Codec,H.264/MPEG4/MJPEG	
Video Streaming	Multi Streaming CBR/VBR (Controllable frame rate and Bandwidth)	
Resolution	All Codec : 1080P/720P/D1/CIF MJPEG : QCIF	
Frame Rate	Max. 30 /25 fps for 720P/D1/CIF/QCIF	
Audio Compression	Two way, G.711 PCM. μ-law 64kbps 8kHz	
Local Storage	SDHC memory card (card is not included)	
Motion detection	Notification: FTP, e-mail, JPEG Recording on SD card,	
Alarm	Pre-Post Alarm	
Max No. of Clients	10	
Protocols Support	IPv4	ONVIF, TCP/IP, UDP/IP, RTP(UDP), RTSP, NTP, HTTP,HTTPS, SSL, DNS, DDNS, DHCP, FTP, SMTP, ICMP, SNMPv1/v2c/v3(MIB-2)
	IPv6	TCP/IP, HTTP, HTTPS, DHCP
	DDNS	Proprietary: NET4C Public DDNS services Suport: www.dyndns.com, www.no-ip.com
	Security	HTTPS(SSL), Digest Authentication(ID/PW)
OS Supported	Windows 7, Vista, XP, 2000	