

# network DynaHawk™ NH820/720 Series

Full HD Speed Dome IP Camera



NH720/NH820 series Speed Dome IP Camera is most cost-effective 1080P Real-time speed dome product in the market. With up to 30x optical zoom lens options and defogging feature support, this model is able to deliver crystal clear image suitable for wide-area surveillance application.

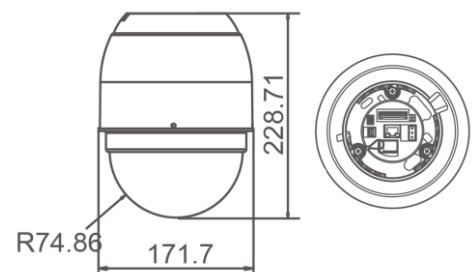
This model can offer simultaneous Quad Streams and Qual Codec, H.264 Baseline / Main / High Profile, MJPEG for various network applications via speeding or limited bandwidth. Compliance with ONVIF Test tool 14.06 and Profile S, this model is able provide fully compatibility to any VMS around the world. It can seamlessly connect to the backend system with universal ONVIF protocol.

With built-in heater and 60W PoE power source, this model is able to operate in extreme weather condition from -40°C to 50°C . IP66 International standard is also guarantee in this model for outdoor installation.

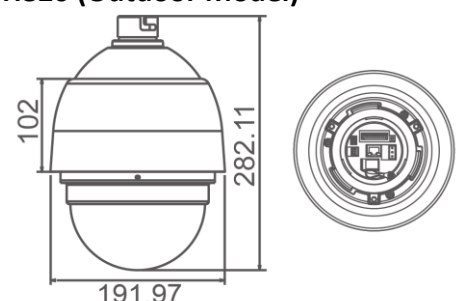
## Key Features

- Sony Progressive Scan CMOS Sensor
- Up to 30x Optical Zoom
- 10x Digital Zoom
- Wide Dynamic Range
- Dual Streams: 1080P @ 30fps + D1 @ 30fps
- Quad Streams Support
- Quad Codec:
- 2D Noise Reduction
- Defog function
- 802.3at 60W PoE+ Support for Heater Activation
- Weatherproof (IP66 International)\*

### NH720 (Indoor Model)



### NH820 (Outdoor Model)



# network DynaHawk™ 720/820W-N Series - Full HD Speed Dome IP Camera

Camera	NH820 18N1	NH820 20N1	NH820 30N1
Image Sensor		1/2.8" Sony Progressive CMOS	
Optical Zoom	18x	20x	30x
Digital Zoom		12x	
Day&Night		True Day&Night with ICR	
Wide Dynamic Range		Auto / Manual	
Focus Mode		Auto / Manual	
White Balance		Auto / Indoor / Outdoor / ATW / Manual	
Iris Control		Auto / Manual	
Electronic Shutter		1/1 ~ 1/10000 sec.	
AGC Control		Auto / Manual	
Backlight Compensation		On / Off	
<b>Lens</b>			
Focal Length	4.7 ~ 84.6 mm	4.7 ~ 94 mm	4.3 ~ 129 mm
Min. Focus Length	1 m (Wide); 1 m (Tele)	1 m (Wide); 1 m (Tele)	1 m (Wide); 1.2 m (Tele)
F Number	F 1.6 (Wide); F 2.8 (Tele)	F 1.6 (Wide); F 3.5 (Tele)	F 1.6 (Wide); F 4.7 (Tele)
FOV	55.2° (Wide); 3.2° (Tele)	55.8° (Wide); 4° (Tele)	66.5° (Wide); 3.25° (Tele)
<b>Operation</b>			
Pan Travel		360° endless	
Tilt Travel		-10° ~ 190°	
Manual Speed		0.5° ~ 90°/s	
Presets		256	
Preset Accuracy		0.225°	
Preset Speed		5° ~ 400°/s	
Sequence		8	
Auto Pan		4	
Cruise		8	
Privacy Mask		16	
Proportional Pan & Tilt		On / Off (Pan and tilt speed proportional to zoom ratio)	
Resume after Power loss		Support	
Home Function		Preset / Sequence / Auto pan / Cruise	
Auto Flip		Image / Mechanical / Off	
Motion Detection		Motion Detection Window x 4 sets	
Day / Night: IR Cut Filter		On / Off	
Image Rotation		Flip / Mirror / Inverse	
Defog		On / Off	
Noise Reduction	2D	On / Off	
<b>Network</b>			
Networking		RJ-45, 1Gbps Ethernet	
Video Compression		MJPEG / H.264 (MPEG-4 Part 10/AVC) Baseline / Main Profile / High Profile SVC	
Video Stream	Single	H.264 / MJPEG	
	Dual	H.264 + MJPEG / H.264 + H.264	
	Multiple	H.264 x 4 / H.264 x 3 + MJPEG	
Video Resolution		H.264/MJPEG - Full HD 1080P / SXGA / HD 720P / XGA / SVGA / D1 / VGA / CIF	
Audio Compression		G.711 / G.726	
Audio Stream		Two-way Audio	
Protocols		IPv4/v6, TCP/IP, UDP, RTP, RTSP, HTTP, HTTPS, ICMP, FTP, SMTP, DHCP, DNS, DDNS, NTP, PPPoE, UPnP, IGMP, SNMP, QoS, ONVIF, ARP	
Security		HTTPS / IP Filter / IEEE 802.1x	
Alarm	Input	4 Sets / 5V 10kΩ pull up	
	Output	2 Set / Relay output, max. 2A DC 30V / 0.5A AC 125V	
Alarm Reaction		Preset / Sequence / Auto Pan / Cruise	
Micro SD		microSDHC 32GB Support	
Supported Web Browser		Internet Explore (6.0+) / Chrome / Firefox / Safari	
Password Levels		User and Administrator	
<b>General</b>			
Environment		Indoor / Outdoor	
Operating Temperature	Indoor	0°C ~ 40°C (32°F ~ 104°F)	
	Outdoor	-40°C ~ 50°C (-40°F ~ 122°F)	
Dimension	Indoor	Ø 171.7 x 228.7 mm (Ø 6.7 x 9 in.)	
	Outdoor	Ø 191.9 x 282.1 mm (Ø 7.5 x 11.1 in.) w/ Sunshield	
Weight	Indoor	1.6 kg (3.57 lb)	
	Outdoor	2.3 kg (5.11 lb) w/ Sunshield	
Power Source	Indoor	802.3at PoE+ (30W) / AC 24V ± 10%	
	Outdoor	802.3at PoE+ (60W) / AC 24V ± 10%	
Power Consumption	Indoor	24 W	
	Outdoor	59.5 W (w/ Heater)	
Regulatory		CE / FCC / UL / RoHS / IP66 (Outdoor)	

\* mark for optional items

Product specification and availability are subject to change without notice.



**DYNACOLOR, INC.**

No. 116, Jou Tz Street, Neihu, Taipei 114, Taiwan

TEL: (886)2-2659-8898

FAX: (886)2-2659-8868

<http://www.dynacolor.com.tw>

[info@dynacolor.com.tw](mailto:info@dynacolor.com.tw)