

## H.264/MJPEG High-speed PTZ Network Camera

**FW1177-DE** is a stand-alone PTZ network camera which has built-in PAN/TILT/ZOOM camera, web server and real time operation system. With powerful PTZ feature, you can remotely move camera to any direction or zoom in/out the object from anywhere though standard web browser. It delivers real time live videos at a rate up to 30fps over the TCP/IP network.

Fast PAN/TILT, Superb 396x zoom (33X Optical, 12X Digital zoom) and up to 250 presets function enable you to easily focus camera to the target location and zoom up the object with simple mouse click. 27X and 37X zoom camera can be selected as an option.

Day & Night camera function, IR Sensitivity, WDR (Wide Dynamic Range) for clear image view under back light situation and DSS (Digital slow shutter) to view object under low light condition are specific of the camera performance. Built-in motion detection, up to 5.6M pre/post alarm buffer, RS-232/RS-485 interface for serial input device, X10 device and advanced alarm notification interface for e-mail, FTP and third party program are some of key features.

It is widely used as a surveillance system for unmanned facilities, retail stores, accommodations, gas stations, etc. Having an advantage of flexibility of network video devices and digital interfacing to other systems, and it is also interoperated with various applications like as POS, Access Control, and Building Automation.

### Key Features

#### Superb Zoom and Camera performance

396x zoom (33x auto-focus optical / 12x digital)  
 0.4 lux, 0.1 lux (D&N), 0.00005 lux (DSS) /F1.6  
 (Optional : 23x optical, & 37x optical)

#### High speed Pan/Tilt with 250 presets

Pan/Tilt angle 360° (endless) / 180° (Auto flip)  
 Max speed: Pan-360°/sec, Tilt-200°/sec at Preset mode

#### WDR(Wide Dynamic Range) - Optional

Different exposure for different objects in a scene to enable objects in both bright and dark areas to be visible.

#### Progressive Frame Mode

Provide D1 resolution image without distortion

#### EIS(Electric Image Stabilizer)

Reduces the variation on the image caused by wind or tremor

#### M-JPEG / H.264 with 2 way audio

M-JPEG/H.264 simultaneous dual stream  
 Synchronized 2 way audio is supported with M-JPEG and H.264 1ch Audio-input / 1ch Audio-output

#### High Performance of video transmission

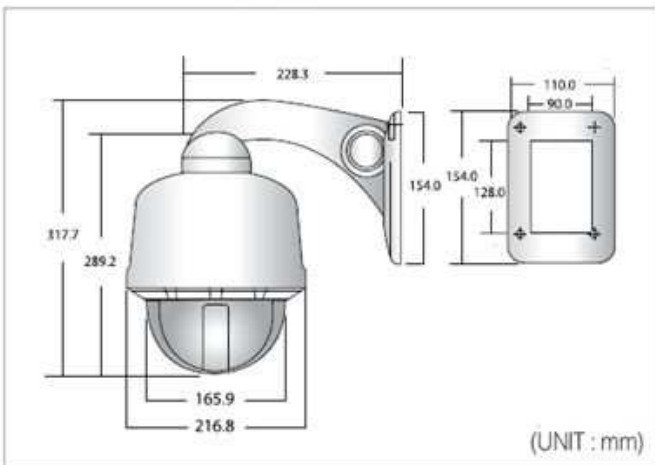
Up to 30 fps @D1, simplex

#### Vandal & weather proof

Weather proof (IP66) outdoor housing using die cast aluminium and anti-vandal PC(polycarbonate) dome cover that can withstand high impact with heater & blower for external or any tough environment.

#### Supports ONVIF & PSIA Standards

FlexWATCH<sup>®</sup> network cameras support both ONVIF and PSIA video standards.



# Technical Specifications



## FW1177-DE

<b>Video Encoding Mode</b>	H.264/MJPEG(simultaneous dual stream) H.264/H.264 (true H.264 dual streaming) Simultaneous streaming with independent control	<b>System Integration Features</b>	[Protocol] HTTP, RTP/RTSP, Multicast, TCP/IP, ARP, ICMP, Telnet, Ftp, PPPoE, SMTP, DHCP, NTP, uPNP, and etc. [SDK] Open HTTP API / ActiveX for live cast with audio & PTZ [Service] Image upload / notification service / special service for POS integration
<b>Video signal</b>	1ch Video-output.	<b>Installation &amp; maintenance</b>	Configuration: installation wizard, HTTP, telnet and console. Upgrade firmware: HTTP, telnet & ftp.
<b>Resolution</b>	D1 - 720x480 4CIF - 704x480 CIF - 352x240 QCIF - 160x112	<b>Misc.</b>	OSD (On-Screen Display) Transmit serial input data with video Quick Time & VLC media player compatible
<b>Live Casting</b>	Streaming video channels with full duplex live audio Up to max 30fps@ D1 when simplex	<b>System hardware</b>	32bit RISC CPU / Embedded Linux / 128MByte SDRAM / 128MByte Flash
<b>Audio Encoding</b>	8 bit PCM (G.711-u-law), Sampling rates 8KHz, Mono Audio	<b>Power</b>	Power Supply - SMPS 24V (1.5A) [AC100~240V, 1A] Power Consumption - DC24Volt, 1A
<b>Audio channels</b>	1ch audio-in & 1ch audio-out	<b>Approvals</b>	IP66, KCC, FCC(Class A), CE(Class A), RoHS
<b>PTZ support</b>	Max Speed: Pan 360/sec, Tilt 200/sec@preset mode Rotation Angle: Pan 360° (endless), Tilt:180 (Auto flip) Optical zoom x33, Digital zoom x12 250 Preset Positions, Swing, Group, 16 privacy zone.	<b>Dimension / Weight</b>	216.8 Ø x 289.2(H) (in mm) About 5.5kg without power supply
<b>UART support</b>	Console, By-pass command to control UART device X10 device command to control device over power line, Modem Support ( ISDN, PSTN and GSM )	<b>External Interface</b>	1 composite output (75 ohm/Hi-Z) 10/100-Base-T Ethernet (auto-sensing) 1 photo-coupled or 1 digital inputs (NC/NO selectable), 1 relay outputs 1 audio input / 1 audio output 2 serial ports (COM: RS-232, AUX: RS-485) 1 MicroSD memory interface 1 USB memory interface Factory Default Button
<b>Bandwidth Management</b>	Frame rate control / Bandwidth control / CBR / VBR	<b>Working Environment</b>	Temperature : 32°~122°F (0°~50°C) Humidity : 20~80% RH
<b>Alarm Management</b>	[ Trigger Condition ] Video loss / Video recovered / Motion detection (144 area) / 1ch alarm inputs / Boot finished / Serial input / Schedule [ Alarm Service ] Image holding service (Max 5.6MByte pre-post alarm buffer) Image upload service through E-mail / FTP (support pre & post) Notification service through TCP / UDP / HTTP / 1 alarm outputs	<b>CMOS Image sensor</b>	1/3"Sony 410K SUPER HAD CCD Resolution: 560 TV Lines for color / 700 TV Lines for B/W S/N ratio: 52dB or more(AGC OFF, Weight ON) Electronic shutter speed: 1/60 ~ 1/120,000 sec (NTSC) 1/50 ~ 1/120,000 sec (PAL) Sens-up : AUTO/FIXED/OFF(selectable limit x2 ~ x256) White Balance: ATW/AWC/Manual Outdoor(1800K, 10,500K)/Indoor(4500K ~8500K)
<b>Security</b>	Channel based user password protection for live-cast, PTZ, alarm output and audio	<b>Lens</b>	F1.4-30, f=3.3 mm wide to 99.0mm tele Angle of view: 2.3~62.0 horizontal
<b>Dynamic IP Support</b>	Dynamic IP service using <a href="http://www.ipcctvdns.com">www.ipcctvdns.com</a>	<b>Image Setting</b>	DIS (Digital Image Stabilizer) DSS (Digital Slow Shutter) SSNR (Noise Reduction at Low Light) ICR (Day & Night) AGC (Auto Gain Control) BLC (Back Light Compensation)
<b>Software (default Web interface)</b>	Live-cast, PTZ control, search through Web browser Minimum PC requirement - XP Pro / IE 6.x or later ) - Pentium4, 2Ghz, 2G(RAM) - Video Card(256MB RAM, 1024x768)	<b>Minimum illumination</b>	Color: 0.4 Lux (F1.6) B*W: 0.1 Lux (F1.6) DSS(Digital Slow Shutter):0.0007 Lux(F1.6)
<b>Management Software</b>	Supports 16, 32, 64, 128ch Management Software Full-featured PC NVR with matrix functionality	<b>Optional External Device</b>	Power Over Ethernet: IEEE 802.3af Internal (built-in board ) / External (FW-PoE ) Type

## Accessory (sold separately)

