

# 1080P 33X 2MP Auto Tracking PTZ Dome

DEC7242SR-X33G-IA



## Key Features

### Optics

- Accurate and fast focusing
- 33x optical zoom
- Optical glass window with higher light transmittance
- Smart IR, up to 150 m (492 ft) IR distance

### Compression

- H.264 High Profile
- Triple streams
- Custom OSD

### Intelligent

- Auto tracking
- Snapshot when a moving object breaks the rules

### Network

- ONVIF Conformance

## Structure

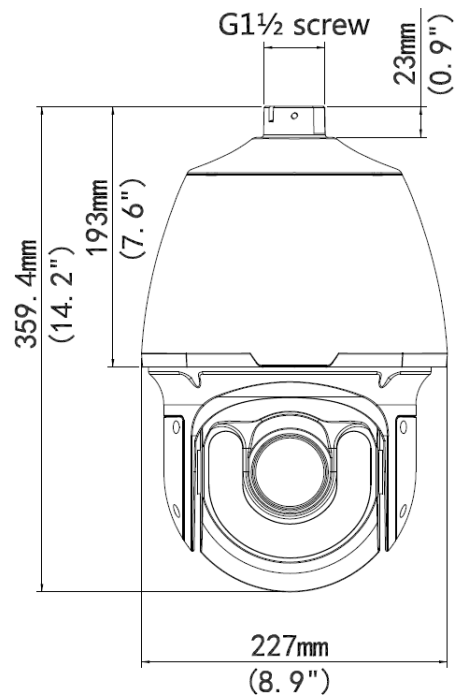
- Intelligent temperature control technology
- Innovative heat dissipation design, 30% higher efficiency
- More effective heat dissipation system
- 6 KV surge protection designed for network interface

## Specifications

<b>Camera</b>	<b>DEC7242SR-X33G-IA</b>
Sensor	1/2.8", 2 megapixel, progressive scan CMOS
Focus/Zoom	4.5 ~ 148.5 mm (33x optical zoom)
Angle of View (H)	62° (wide) ~ 3.44° (tele)
Iris	Auto/Manual, F1.6 ~ F4.4
Shutter	Auto/Manual, 1/6s ~ 1/8000s
Minimum Illumination	Color: 0.02 Lux (F1.6, AGC ON) 0 Lux with IR on
S/N	> 52 dB
Day/Night	IR-cut filter with auto switch (ICR)
<b>Video</b>	
Max. Resolution	1920 x 1080
Video Compression	H.264, MJPEG
Frame Rate	1080P (1920×1080): Max. 30 fps
Video Streaming	Triple
OSD	Up to 8 OSDs
Privacy Mask	Up to 8 areas
Digital Zoom	Supported
<b>Auto tracking</b>	
Scene	4, scene switching plan configurable
Detection	Line cross, enter/leave area, intrusion
Smart Function	Auto tracking, snapshot when a moving object breaks the rules
<b>Audio</b>	
Audio Compression	G.711
Two-way Audio	Supported
<b>Storage</b>	
Edge Storage	Micro SD, up to 128 GB
<b>Network</b>	
Protocol	L2TP, IPv4, IGMP, ICMP, ARP, TCP, UDP, DHCP, PPPoE, RTP, RTSP, DNS, DDNS, NTP, FTP, UPnP, HTTP, HTTPS, SMTP, SNMP, SIP, QoS
Compatibility	ONVIF, API
<b>Structure</b>	
Pan Range	360°

Pan Speed	0.1°/s ~ 240°/s
	Preset speed: 300°/s
Tilt Range	-15° ~ 90°(auto reverse)
Tilt Speed	0.1°/s ~ 160°/s
	Preset speed: 240°/s
Number of Presets	256
Patrol	Preset patrol, route patrol, recorded patrol
Home Position	Supported
Drag-to-Zoom	Supported
<b>Interface</b>	
Audio I/O	Audio interface
	Input: impedance 35 kΩ; amplitude 2 V [p-p]
	Output: impedance 600 kΩ; amplitude 2 V [p-p]
Alarm I/O	2 / 1
Serial Port	1 RS485
Network	100M/1000M Base-FX adaptive SFP single mode (FC) 10M/100M/1000M Base-TX adaptive Ethernet 1+1 share mode
Video Output	1 BNC, impedance 75 Ω; amplitude 1 V [p-p]
<b>General</b>	
Power	24 V AC±25% (Default), 24 V DC
	Power consumption: 17 ~54 W
Dimensions (Ø x H)	Φ227 mm × 359.4 mm (Φ8.9" x 14.2")
Weight	5.4 kg (11.9 lb)
Working Environment	-40°C to +70°C (-40°F ~ 158°F), Humidity ≤ 95% RH
Ingress Protection	IP66

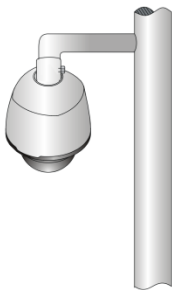
## Dimensions



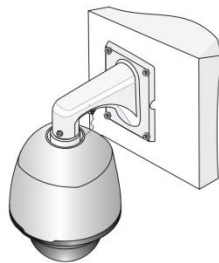
## Installation



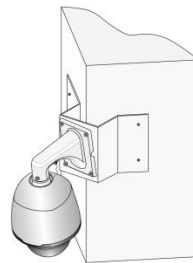
Pendant mount



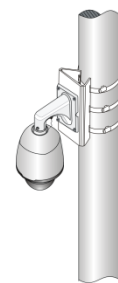
Standing pole mount



Wall mount



Corner mount



Pole mount

## Accessories

Installation mode	Accessories	Description
Pendant mount	TR-CE45-IN bracket	/
	Pendant components: TR-UF45-A-IN ceiling plate TR-SE45-IN pendant rod (200mm) TR-SE45-A-IN pendant rod (500mm)	Ceiling plate is optional with different pendant rod for various applications
Standing pole mount	Customized bracket	The interface is designed with internal G1½ screws. The screw depth must be more than 23 mm.
Wall mount	TR-WE45-IN bracket	/
Corner mount	TR-WE45-IN bracket + TR-UC08-A-IN bracket	/
Pole mount	TR-WE45-IN bracket + TR-UP08-A-IN bracket	/