

# 2MP 44X Starlight Network PTZ Dome Camera

DEC7852SR-X44U



## Key Features

### Optics

- 44X Optical Zoom
- Starlight illumination
- Accurate and fast focusing
- Optical Defog Supported
- Up to 120 dB Optical WDR(Wide Dynamic Range)
- The Fifth-generation infrared technology, more than 250m (820ft) IR distance
- Optical glass window with higher light transmittance
- IR anti-reflection window to increase the infrared transmittance
- Smart IR
- EIS (Electronic Image Stabilization)

### Compression

- H.265, H.264, MJPEG
- Embedded smart algorithm
- Triple streams
- 1080P@60fps supported

## Network

- ONVIF Conformance

## Structure

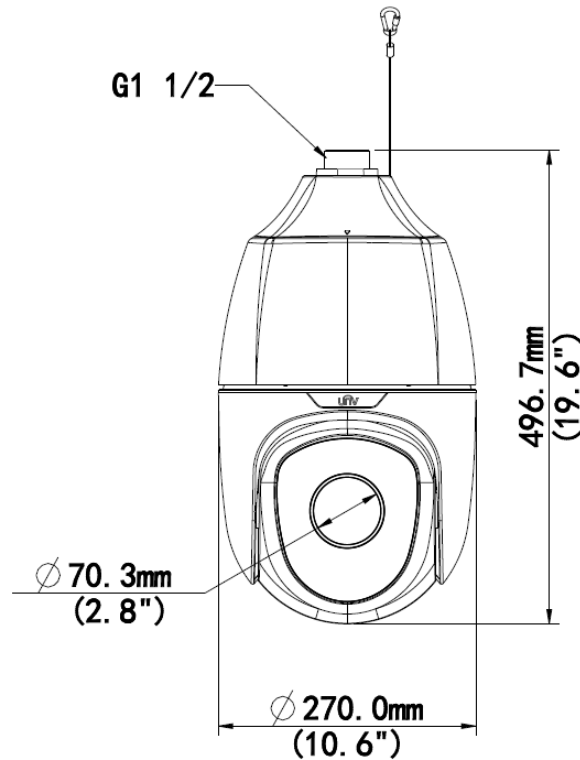
- Innovative snow-removing functionality
- More effective heat dissipation system
- Intelligent temperature control technology
- 6 KV surge protection designed for network interface
- Fast Installing structure designed

## Specifications

DEC7852SR-X44U	
<b>Camera</b>	
Sensor	1/2.8", 2megapixel, progressive scan, CMOS
Lens	5 ~ 220 mm (44x optical zoom)
Angle of View (H)	56.7° (wide) ~ 3.07° (tele)
Shutter	Auto/Manual; shutter time: 1/6 s ~ 1/8000 s
Minimum Illumination	Colour: 0.002 lux (F1.2, 50IRE) 0 lux with IR
Iris	Auto/Manual; F1.2 ~ F3.5
Day/Night	IR-cut filter with auto switch (ICR)
S/N	>52dB
WDR	120dB
<b>Video</b>	
Max. Resolution	1920 × 1080
Video Compression	H.265, H.264, MJPEG
Frame Rate	1080P (1920×1080):Max.60 fps;
Video Streaming	Triple
Defog	Optical Defog & Digital Defog
HLC	Supported
OSD	Up to 8 OSDs
Privacy Mask	Up to 8 areas
Digital Zoom	Supported
<b>Smart</b>	
Behavior Detection	Intrusion, crossing line, motion detection
Exception Detection	Audio detection
Intelligent Identification	Face detection
Statistical Analysis	People counting

Audio	
Audio Compression	G.711
Two-way audio	Supported
Storage	
Edge Storage	Micro SD, up to 128GB
Network	
Protocols	L2TP, IPv4, IGMP, ICMP, ARP, TCP, UDP, DHCP, PPPoE, RTP, RTSP, RTCP, DNS, DDNS, NTP, FTP, UPnP, HTTP, HTTPS, SMTP, SIP, 802.1x
Compatible Integration	ONVIF, API
Pan & Tilt	
Pan Range	360° (endless)
Pan Speed	0.1°/s ~ 240°/s
	Preset speed: 300°/s
Tilt Range	-15° ~ +90° (auto reverse)
Tilt Speed	0.1° ~ 160°/s
	Preset speed: 240°/s
Number of Presets	256
Patrol	Preset patrol, route patrol, recorded patrol
Home Position	Supported
Interface	
Audio I/O	Audio cable
	1 Input: impedance 35 kΩ; amplitude 2 V [p-p]
	1 Output: impedance 600 Ω; amplitude 2 V [p-p]
Alarm I/O	2 / 1
Serial Port	1 RS485
Network	1 RJ45 10M/100M Base-TX Ethernet
Video Output	1 BNC, impedance 75 Ω; amplitude 1 V [p-p]
General	
Power	24 V ± 25% AC (Default), 24 V ± 25% DC
	Power consumption: 16 ~ 56W
Dimensions(ØxH)	Ø270mm×496.7mm(Φ10.6" x 19.6")
Weight	9.69kg(21.4lb)
Working Environment	-45°C~70°C(-49°F ~ 158°F), Humidity ≤ 95% RH(non-condensing)
Ingress Protection	IP66
Heat	Built-in Heater and Temperature control system

## Dimensions



## Accessories

Installation mode	Accessories	Description
Pendant mount	TR-CE45-IN bracket	/
	Pendant components: TR-UF45-A-IN ceiling plate TR-SE45-IN pendant rod (200mm) TR-SE45-A-IN pendant rod (500mm)	Ceiling plate is optional with different pendant rod for various applications
Standing pole mount	Customized bracket	The interface is designed with internal G1½ screws. The screw depth must be more than 23 mm.
Wall mount	TR-WE45-A-IN bracket	/
Corner mount	TR-WE45-A-IN bracket + TR-UC08-A-IN bracket	/
Pole mount	TR-WE45-A-IN bracket + TR-UP08-A-IN bracket	/