

RC3512HD-6311/IR



H.264 Full HD Outdoor Fixed IP Dome Camera

- Full HD1080p @ 30fp
- Model fit with Remote Zoom/Focus Control (One Click AF)
- -6311IR IR-LED with Smart IR approx 30m
- Video Compression: H.264, MJPEG
- True Day/Night and WDR
- Video Dual Stream
- MicroSD/SDHC Memory Card Slot
- ONVIF Support, PoE (IEEE 802.3af)
- Embedded VCA Technology Video Analytics
- Vandal Proof IK-10 / IP66 Liquid Protection



Specifications

CAMERA		VIDEO	
Model	RC3512HD-6311: Motorized Focus & Zoom lens RC3512HD-6311IR: Motorized Focus & Zoom lens /IR LED	Frame Rate	H.264: Configurable up to max 30fps in all resolution* MJPEG: Configurable up to max 30fps in all resolution*
Image Sensor	SONY EXMOR 1/2.9" 1080p CMOS	Motion Detection	Max. 8 zones with independent configuration of detection sensitivity and target object size
Effective Pixels	1920 x 1080	Video Stabilization	Supported for First/Second Stream and Snapshot
Scanning System	Progressive scanning	Defogging	Selectable Defogging level (low, medium, high)
AGC Control	Auto, adjustable amplification level	Burnt-in Text	Time / Date / Name (Name up to 48 characters), flexible display position configuration
Minimum Illumination	Color: 0.5 lux, F1.2 - B/W : 0.001Lux (DSS ON)	Privacy Mask Zones	4 flexible configurable regions
Auto IRIS (DC)	Iris control via camera unit	Analogue Video	-
Lens	2.8 – 12mm Zoom, F1.4-F2.6, Motorized Focus & Zoom Control – One Click Focus Function	Audio	
Lens Angle of View	Horizontal: Approx. 90°(Wide) to 35°(Tele) Vertical: Approx.50°(Wide) to 20°(Tele)	Audio Input / Output	-
Shutter Time	1/10.000s to 1/2s	Compression Format	-
Shutter Exposure Modes	Automatic - with configurable min/max shutter speed (exposure time range) Manual - with configurable fixed shutter speed Flicker-Control - 50/60Hz	IR ILLUMINATOR	
Day & Night Switching	Auto/Manual (both switching level adjustable 1 ~ 64) Removable IR Cut Filter	IR LED	6311IR IR LED x 28 (850nm)
Image Settings	Configurable brightness, contrast, saturation, sharpness, vertical flip & horizontal mirror function Corridor Mode (-90° / +90° image flip)	R Working Distance	6311IR approx 30m
2D-DNR	Configurable digital noise reduction 1 ~ 16	SMART IR	6311IR Automatically adjust the infrared light to the best, according to the brightness of the scene
Wide Dynamic Range	Digital WDR	NETWORK	
Exposure Adjustment	+1.0, +0.6, +0.3, 0, -0.3, -0.6, -1.0 EV	Ethernet Standard/IP	10 / 100 Base-T / IPv4, IPv6
White Balance	ATW1 / ATW2 / Push / Manual	Protocol	QoS Layer 3 DiffServ, TCP/IP, UDP/IP, HTTP, HTTPS, FTP, RTSP, RTCP, RTP/UDP, RTP/TCP, mDNS, UPnP™, SMTP, DHCP, DNS, DynDNS, NTP, SNMPv1/v2c/v3(MIB-II), IGMP, ICMP, SSLv2/v3, TLSv1, SRTP, RTMP
DSS (Sens-up)	Configurable digital slow shutter 2X ~ 16X	Users Connection	Live viewing for up to 10 clients
Backlight Compensation	BLC On/Off (possible to designate zone)	Security	HTTPS(SSL), IP Filtering, Multi-level access with password protection
VIDEO		GENERAL	
Video Compression	H.264 Baseline, Main, High profile (MPEG-4 Part 10/ AVC), MJPEG (Motion JPEG)	I/O Terminal	1x Alarm In - max 50mA@5VDC, TTL 1x Alarm Out - max 50mA@24VDC, TTL
Video Streaming	Dual Stream, Independent Configurable H.264: Controllable frame rate and image resolution, bandwidth limitation (CVBR/CBR) MJPEG: Controllable frame rate and image resolution, JPEG quality	Edge Storage	Via micro SD/SDHC card (up to 32GB) for continuous or event recording. Search interface for event files, playback and download (card not included).
Resolutions	16:9 mode 1920x1080, 1280x720, 1120x630, 960x540, 800x450, 640x360, 480x270, 320x180 4:3 mode SXGA(1280x960), XGA(1024x768), SVGA(800x600), PAL(720x576), NTSC(720x480) VGA(620x480), QVGA(320x240)	Application Programming Interface	Software Development Kit (SDK) available ONVIF compliant
		Event Metadata Streaming RTSP/RTP	Video Motion Detection (MD), Video Content Analytics(VCA)

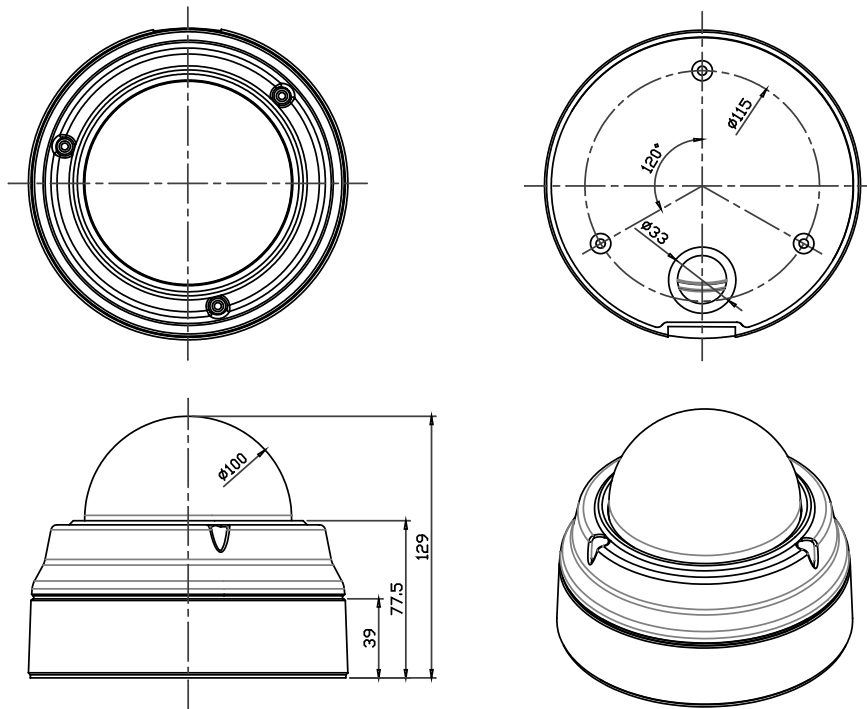
RC3512HD-6311/IR

GENERAL	
ONVIF	Version: 2.41 (Support Profile S and G)
Event Sources	Sensor(DI), Video Motion Detection, Tamper Detection, Video Content Analytics(VCA), Network Loss/Detect, Network Setting Change, Time (Recurrence/Schedule)
Event Actions	Notification service via TCP/IP, HTTP, multicast or email text messages with snapshot, DO-contact, file upload on external FTP server, local SD memory card recording
Approvals	FCC, CE, KC, IP66, IK-10, RoHs
ELECTRICAL	
Power Source	12V DC / PoE (IEEE 802.3af)
(Approx) Power Consumption	6311 9W @ DC 12V (Heater On)
	6311IR 10W @ DC 12V (Heater / IR-LED On)
ENVIRONMENT	
Operation Temperature	DC12V/PoE : -40°C ~ 50°C (-40°F ~ 122°F)
	Cold Start DC12V/PoE : 0°C ~ 50°C (32°F ~ 122°F)
Operating Humidity	Up to 85% RH, Non-condensing
MECHANICAL	
Material	Aluminum Die Casting, Anti-vandal bubble (PC)
Color	White
Dimension	Housing: 155(Φ) x 129(H) mm, Dome: 100(Φ) mm
Weight (Approx)	1.2kg (2.7 lbs)

* If VCA is activated, frame rate is limited to max. 15fps@1080p.

Dimension

(Unit: mm)

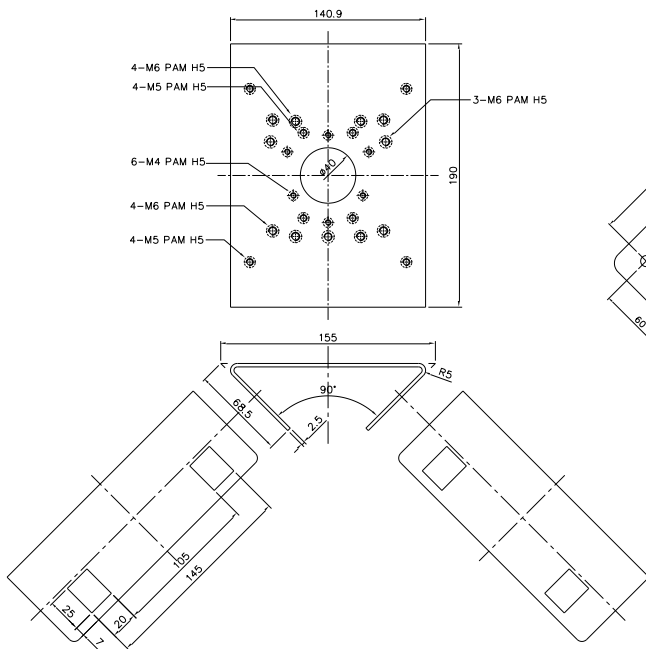
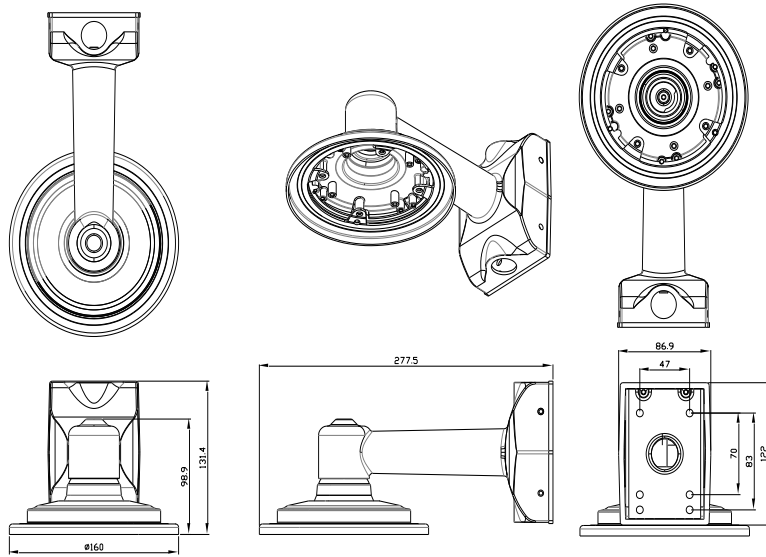


VIDEO CONTENT ANALYSIS (Included as Standard)	
High Performance	Advanced tracking algorithm and low false alarm rate
Easy to Use	Intuitive web browser interface
Detection Zones and Rules	Up to 40 zones (multi-segment polygons and lines) 60 VCA filter rules in total
On-screen Display	Real-time display of tracking data and events via activeX plug-in in IE browser
Burnt in Annotation	Allows the VCA annotation to be burnt into the raw video stream for displaying on third party application
Tamper Detection	Recognize camera tampering via VCA detection (defocusing, lens covering, camera moving)
VIDEO CONTENT ANALYSIS (Option extension License)	
Available License	VCAdetectIP, VCAcountIP, VCAadvancedIP, VCAprofessionalIP
VCA Detection Filters	Objekt: Enter, Exit, Appear, Disappear, Stop, Direction, Dwell, Speed, Unauthorized Access, Counting Line, Color Filter, Object Classification
VCA Features	<ul style="list-style-type: none"> - Up to 20 Onscreen Counter Displays - Counting-Line for accuracy people and vehicle counting with local database and reporting service - VCA calibration via 3D tools for right object size detection
	<ul style="list-style-type: none"> - Several definable object class to include into the detection rules for the VCA alarm - 10 colors in total to distinguish objects by color - People tracking mode to tracks individuals separately among overlapped multiple people - Heatmap Report shows relative crowd density of the 24 hour period (criterion: midnight)
Logical Rules	Extension of alarm rules using logical operators (AND, OR..) for the VCA detection filters of created zones / lines

Accessories

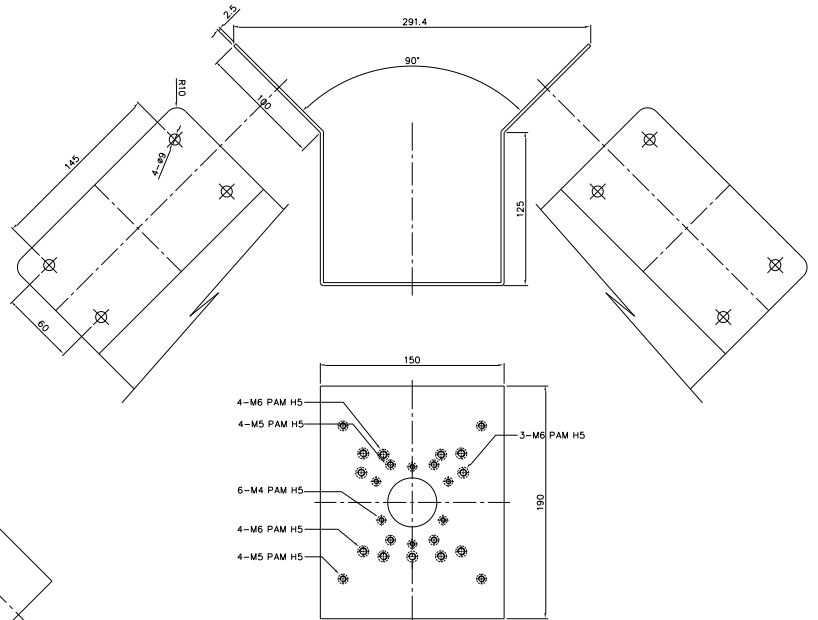
Wall Mount Bracket

Model: WMB-3000
Weight: 1Kg (2.2lb)



Pole Mount Adaptor

Model: PMA-U100
Weight: 2,28Kg (5.0lb)



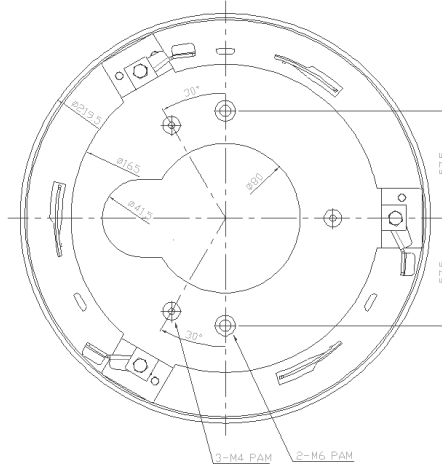
Corner Mount Adaptor

Model: CMA-U100
Weight: 946g (2.1lb)

To mount wall bracket WMB-3000 on pole or corner the adaptor PMA-3000 or CMA-3000 can use alternative.

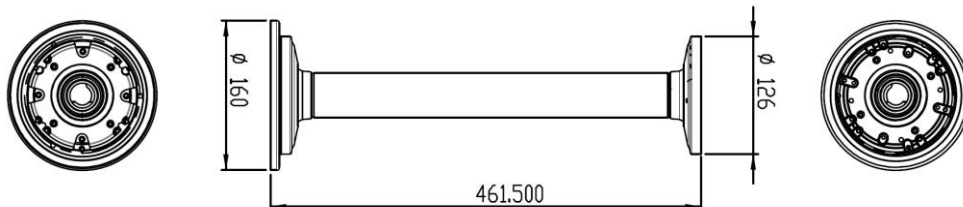
Flush Mount Bracket

Model: FMB-3502
Weight: 400g (0.9lb)



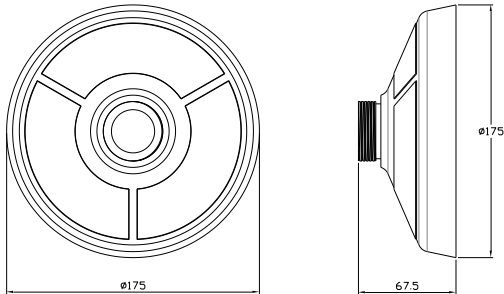
Ceiling Mount Bracket

Model: CMB-3000
Weight: 400g (0.9lb)



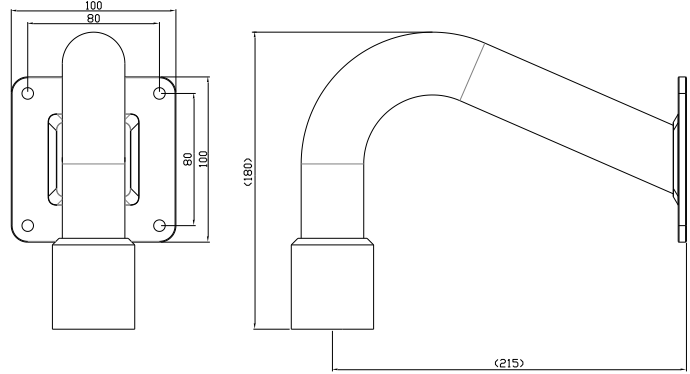
Please note: To cover IP classification of the camera housing or bracket need accordingly installation

Additional Accessories on Request



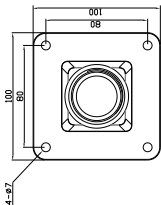
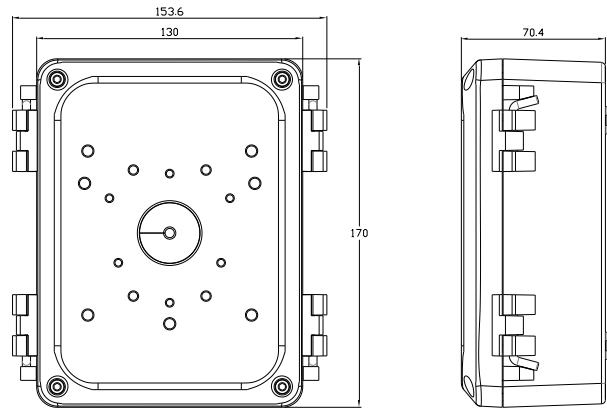
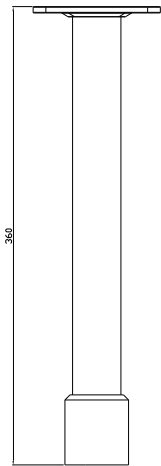
Pendant Mount Cap

Model: PMC-3000
Weight: 427g (0.94lbs)



Wall Mount Bracket

Model: WMB-3000P
Weight: 430g(0.95lbs)



Ceiling Mount Bracket

Model: CMB-3000P
Weight: 437g (1.0lbs)

Junction Box

Model: JBK-U100
Weight: 1.02Kg (2.2lbs)

