

RC362HD-6211IR

Compact H.264 Full HD IR Dome IP Camera For indoor/outdoor applications

- Full HD 1080P @ 30fps
- Video compression: H.264, MJPEG
- Day / Night operating mode, WDR function
- Built-in IR illuminator with Smart IR adjustment
- Micro SD/SDHC memory card slot
- **ONVIF** support, PoE (IEEE 802.3af)
- Integrated video analyse of VCA Technology
- Vandal Proof IK-10 / IP66 Protection Ration



Spezifications

CAMERA	
Image Sensor	SONY EXMOR 1/2.9" 1080p CMOS
Effective Pixels	1920 x 1080
Scanning System	Progressive scanning
Auto Gain Control	Auto, adjustable amplification level
Minimum Illumination	Color: 0.5 Lux B/W: 0.00 Lux (IR LED On)
Lens	3.6mm, fixed Iris, F2.0
Angle of View	Horizontal: Approx. 87° Vertical: Approx. 47°
Shutter Time	1/10,000s to 1/2s
Shutter Exposure Modes	Automatic - with configurable min/max shutter speed (exposure time range) Manual - with configurable fixed shutter speed Flicker-Control - 50/60Hz
Day & Night	Auto/Manuell (respective switching threshold adjustable 1 ~ 64) – removable IR-cut filter
Image Settings	Configurable brightness, contrast, saturation, sharpness, vertical and horizontal rotation, Corridor Mode (-90° / +90° image flip)
2D-DNR	Configurable digital noise reduction 1 ~ 16
Wide Dynamic Range	Up to 100dB Dynamic Range with activated WDR
Exposure Adjustment	+1.0, +0.6, +0.3, 0, -0.3, -0.6, -1.0 EV
White Balance	ATW1 / ATW2 / Push / Manual
Sens-up (DSS)	Adjustable digital slow shutter 2x ~ 16x
Back Light Compression	BLC On/Off (possible to designate zone)
Focus Assistant	Video display to simplify the focus point adjustment
IR ILLUMINATOR	
IR LED	IR LED x 8 (850nm)
IR working distance	10m (30IRE)
Smart IR	Automatically adjust the infrared light to the best, according to the brightness of the scene
VIDEO	
Video Compression	H.264 Baseline, Main, High profile(MPEG-4 Part 10/ AVC), MJPEG(Motion JPEG)
Video Streaming	Dual Stream, Respective Configurable H.264: Controllable frame rate, image resolution, bandwidth limitation (CVBR/CBR) MJPEG: Controllable frame rate, image resolution, JPEG quality

VIDEO		
Resolution	16:9 mode	1920x1080, 1280x720, 1120x630, 960x540, 800x450, 640x360, 480x270, 320x180
	4:3 mode	SXGA(1280x960), XGA(1024x768), SVGA(800x600), PAL(720x576), NTSC(720x480) VGA(620x480), QVGA(320x240)
Motion Detection	Max. 8 zones with respective setting detection sensitivity and minimum object size	
Frame Rate	H.264: Max 30fps in all resolution* MJPEG: Max 30fps in all resolution*	
Video Stabilization	Supported for First/Second Stream and Snapshot	
Defogging	Selectable Defogging level (low, medium, high)	
Text Overlay	Free positioning of display for time/ data/ name (name up to 48 signs)	
Privacy Mask Zones	4 configurable regions	
NETWORK		
Ethernet Standard / IP	10 / 100 Base-T / IPv4, IPv6	
Protocol	QoS Layer 3 DiffServ, TCP/IP, UDP/IP, HTTP, HTTPS, FTP, RTSP, RTCP, RTP/UDP, RTP/TCP, mDNS, UPnP™, SMTP, DHCP, DNS, DynDNS, NTP, SNMPv1/v2c/v3(MIB-II), IGMP, ICMP, SSLv2/v3, TLSv1, SRTP, RTMP	
Users connection	Live viewing for up to 10 clients	
Security	HTTPS(SSL), IP Filtering, Multi-level access with password protection	
GENERAL		
Local storage	Via micro SD/SDHC card (up to 32GB) for continuous or event recording. Search interface for event files, playback and download (card not included).	
Application Programming Interface	Software Development Kit (SDK) available ONVIF compliant	
ONVIF	Version: 2.41 (Support Profile S and G)	
Event Sources	Video Motion Detection, Tamper Detection, Video Content Analytics(VCA), Network Loss/Detect, Network Setting Change, Time (Recurrence/Schedule)	
Event Actions	Notification service via TCP/IP, HTTP, multicast or email text messages with snapshot, file upload on external FTP server, local SD memory card recording	
Approvals	FCC, CE, KC, IP66, IK10, UL	
ELETRICAL		
Power Source	DC 12V, PoE	
Consumption	Max. 6W @ DC 12V	

RC362HD-6211IR

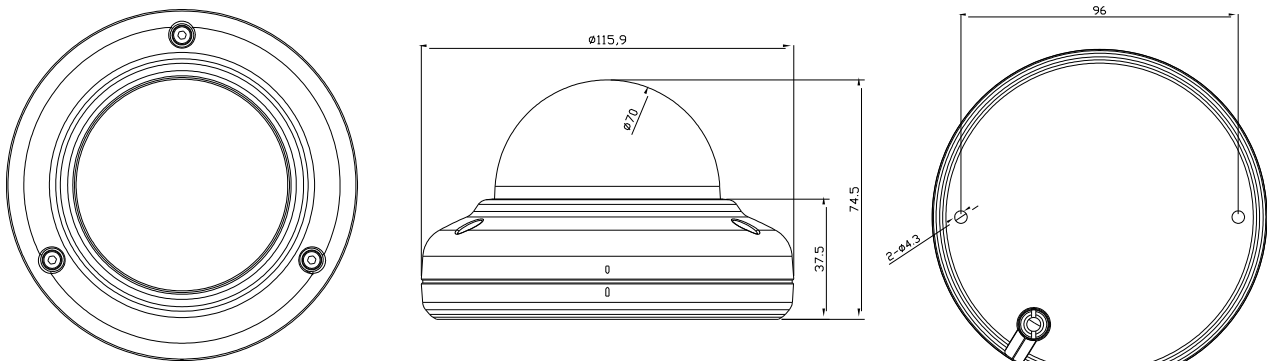
ENVIRONMENT	
Temperature	DC12V/PoE: -20°C ~ 50°C (-4°F ~ 122°F)
Humidity	Up to 85% rel. humidity non-condensing
MECHANICAL	
Material	Aluminum Die-Casting, Polycarbonate bubble IK 10
Color	white
Dimension	Case: 116(Φ) x 74.5(H) mm, Dome: 70(Φ) mm
Weight (Approx)	400g (0.9lb)
VIDEO CONTENT ANALYSIS (Included as Standard)	
High Performance	Advanced tracking algorithm and low false alarm rate
Easy to Use	Intuitive web browser interface
Detection Zones and Rules	Up to 40 zones (multi-segment polygons and lines) 60 VCA filter rules in total
On-screen Display	Real-time display of tracking data and events via activeX plug-in in IE browser
Burnt in Annotation	Allows the VCA annotation to be burnt into the raw video stream for displaying on third party application
Tamper Detection	Recognize camera tampering via VCA detection (defocusing, lens covering, camera moving)

VIDEO CONTENT ANALYSIS (Option extension License)	
Additional Functions	VCAdetectIP, VCAcountIP, VCAsurveillanceIP, VCAadvancedIP, VCAprofessionalIP
VCA Detection Filter	Objekt: Enter, Exit, Appear, Disappear, Stop, Direction, Dwell, Speed, Unauthorized Access, Counting Line, Color Filter, Object Classification
VCA Functions	<ul style="list-style-type: none"> - Up to 20 Onscreen Counter Displays - Counting-Line for accuracy people and vehicle counting with local database and reporting service - VCA calibration via 3D tools for right object size detection - Several definable object class to include into the detection rules for the VCA alarm - 10 colors in total to distinguish objects by color - People tracking mode to tracks individuals separately among overlapped multiple people - Heatmap Report shows relative crowd density of the 24 hour period (criterion: midnight)
Logical Rules	Extension of alarm rules using logical operators (AND, OR..) for the VCA detection filters of created zones / lines
Info VCA	Details regarding supported VCA filters and features of the different extension licenses find on RIVA Product Overview document

* If VCA is activate, frame rate is limit to max 15fps@1080p. Limitations are based on V.1.9.0 firmware release and could be changed without notice.

Dimension

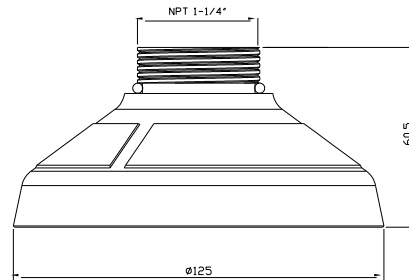
(Unit: mm)



Accessories

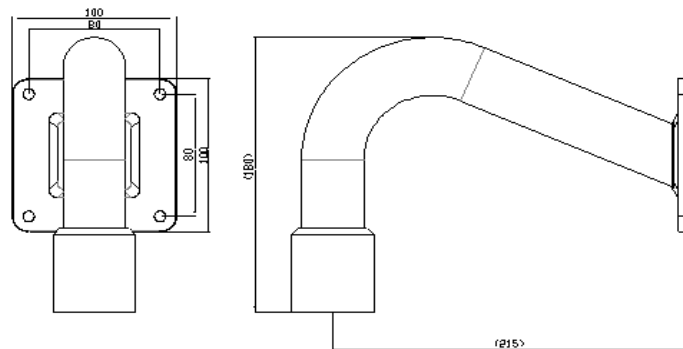
Pendant Mount Cap

Model: PMC-362
Weight: 200g (0.4lb)



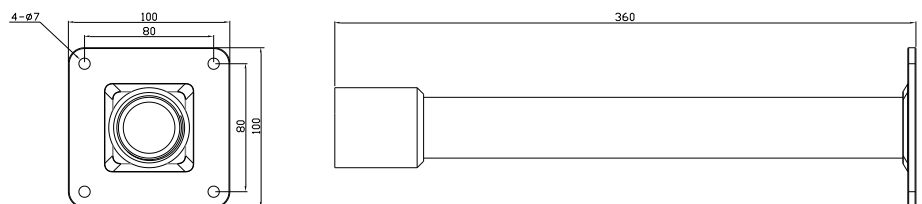
Wall Mount Bracket

Model: WMB-3000P
Weight: 430g (0.95lb)



Ceiling Mount Bracket

Model: CMB-3000P
Weight: 437g (1.0lb)

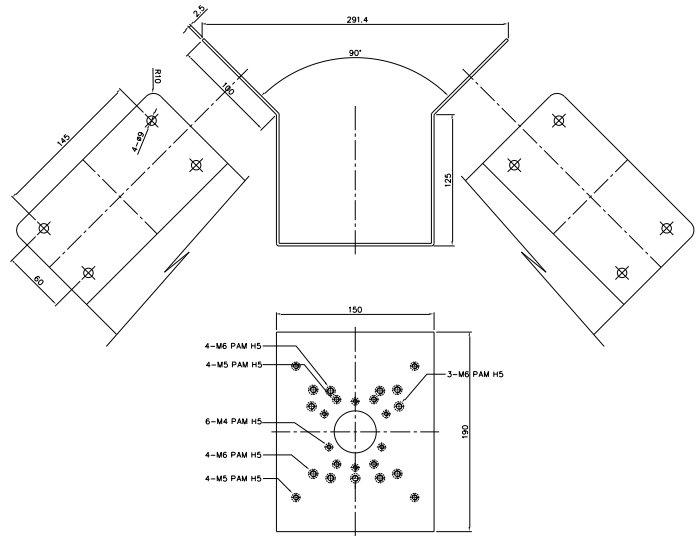


RC362HD-6211IR

Accessories

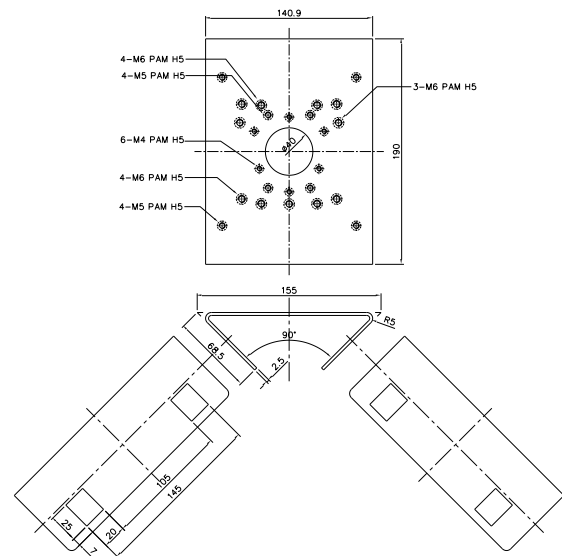
Corner Mount Adaptor

Model: CMA-U100
Weight: 2,28Kg (5.0lbs)



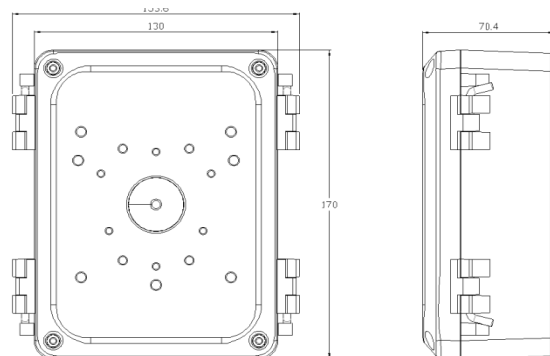
Pole Mount Adaptor

Model: PMA-U100
Weight: 946g(2.1lb)



Junction Box

Model: JBK-U100
Weight: 1.02Kg (2.2lbs)



Please note: To cover IP classification of the camera housing or bracket need accordingly installation