

H.264 Indoor (RC4100/IN) / Outdoor (RC4100/OUT) PTZ Dome IP Camera

- Including PTZ Auto-Tracking License (VCAfollowIP)
- Up to 432X Zoom (Optical 27X, Digital 16X Selectable)
- H.264 25/30 FPS@D1, Two-way Audio
- Video Compression: H.264, MPEG-4, MJPEG (Dual Stream)
- Day & Night (IR Cut Filter), DSS
- De-interlacing on DSP
- Embedded Intelligent Video Analytics
- Burnt-in Text, Video Motion Detection Support
- Comprehensive SDK Support
- Stealth Spin[®] (World Most Silent Speed Dome)
- 0.024° Dome System Accuracy with 1/8 micro Step
- Controlling Pan/Tilt Speed While Zooming
- RC4100/OUT is an Outdoor PTZ Camera, Adding an Outdoor Housing to Indoor PTZ RC4100



Auto Tracking
included

Specifications

Camera Module (RC4100-1212-27)		
Image Sensor	1/4" Interline Transfer CCD	
Number of effective Pixel	NTSC: 768(H) x 494(V) PAL: 752(H) x 582(V)	
Horizontal resolution	560 TVL (Color) / 680TVL (B/W)	
Lens	Optical	27x Optical Zoom (F=1.6~F2.8, f=3.5-95 mm)
	Digital	16x (432x with optical)
Day & Night (ICR)	Auto / Day / Night	
Min. Focus Distance	1500 mm	
Digital Slow Shutter	ON / OFF	
Minimum Illumination	0.2 Lux (50 IRE): (Normal mode), 0.02 Lux (ICR On): (Night mode)	
Luminance S/N ratio	50dB	
BLC	ON / OFF	
Flicker less (NTSC)	ON / OFF	
PAN / TILT		
Pan Rotation Angle	360° Quick Endless Rotation	
Pan Speed	Manual	0.5° ~ 100 or 200° / sec (64 steps)
	Preset	Max 300° / sec, Min 10° / sec
Tilt Rotation Angle	-2° ~ 90°	
Tilt Speed	Manual	0.5~ 45° / sec (64 steps)
	Preset	Max 250° /sec, Min 200° / sec
System Accuracy	0.024°	
Dome		
Presets	165 positions with 16 character labels available for each position with different speed steps	
Guard Tour	Max 8 Groups (Each one consisting of up to 60 steps)	
Auto Pan	Programmable Auto Scan	
Pattern	8 Programmable Patterns (Total 480 seconds)	
Sector	8 Selectable Sectors with 16 characters	
Privacy Zone	8	
Auto Flip	On / OFF	
OSD menu	Yes	
Video		
Compression Format	H.264, MPEG-4, MJPEG	
Number of Streams	Dual Stream, Configurable	
Resolution	D1, 4CIF, 2CIF, VGA, CIF, QVGA, QCIF	
Compression FPS	25/30 fps@D	
De-interlacing	Support (DSP)	
Motion Detection	Support (DSP)	
Burnt-in Text (Digital)	Support (DSP)	
Output	1 Loop Out (BNC Connector) Analog Video Signal	
Audio		
Input	1 channel	
Output	1 channel	
Compression Format	G.711	

Function		
Digital Input	4 channel	
Digital Output	2 channel	
Serial Port	RS-485	
Network	10 / 100 Base-T	
Protocol	TCP/IP, UDP/IP, HTTP, RTSP, RTCP, RTP/UDP, RTP/TCP, SNTP, mDNS, UPnP, SMTP, IGMP, DHCP, DDNS, SSL v2/v3, IEEE 802.1X, SNMP v2/v3	
SD Memory Card Slot	Support, (microSD type up to 8GB)	
Electrical		
Power Source	18~32 VAC 60/50Hz 850mA (indoor) 18~32 VAC 60/50Hz 1.5A (outdoor)	
Power Consumption (Approx)	18W Max (indoor) 36W Max (outdoor)	
Environmental		
Fan / Heater	Fan and heater (outdoor)	
Operating Temperature	-10°C ~ 50°C (14°F ~ 122°F) (indoor) -40°C ~ 50°C (-40°F ~ 122°F) (outdoor)	
Certification	FCC / CE, (IP66 / IK10 outdoor version)	
Operating Humidity	Up to 85% RH (Non-condensing)	
Mechanical		
Material	Indoor	ABS
	Outdoor	Aluminum, Anti-vandal bubble (Poly Carbonate)
Color	Cool gray	
Dimension	Housing: 147(Φ) x 190(H) mm / 5.8"(Φ) x 7.5"(H) (indoor) Housing: 149(Φ) x 312(H) mm (outdoor)	
Weight (Approx)	1.9 kg (indoor) 5.7 kg (outdoor)	
Video Content Analysis (Included as Standard)		
High Performance	Advanced Tracking Algorithm, Low False Alarm Rate	
Easy to Use	Intuitive Web Browser Interface	
Detection Zones	Multi-segment Polygons and Lines	
On-screen Display	Real-time Display of Tracking Data and Events	
Auto Tracking	Automatic PTZ Drive to Track Moving Objects	

RC 4100 - 1212 - 27

Video Content Analysis (Option)	
Detection Behavior	Direction, Stopping, Loitering, Entering, Exiting, Appear, Disappear Filters, Abandoned and Removed Object, Tail-gating
3D Behavior	Perspective Corrected Size and Speed Filters
Statistics	Counting Functions and Other Statistics
Meta Data	Plain XML Format
Image Stabilization (Option)	
Electronic Stabilization	Removes Camera Sway

Ordering Information

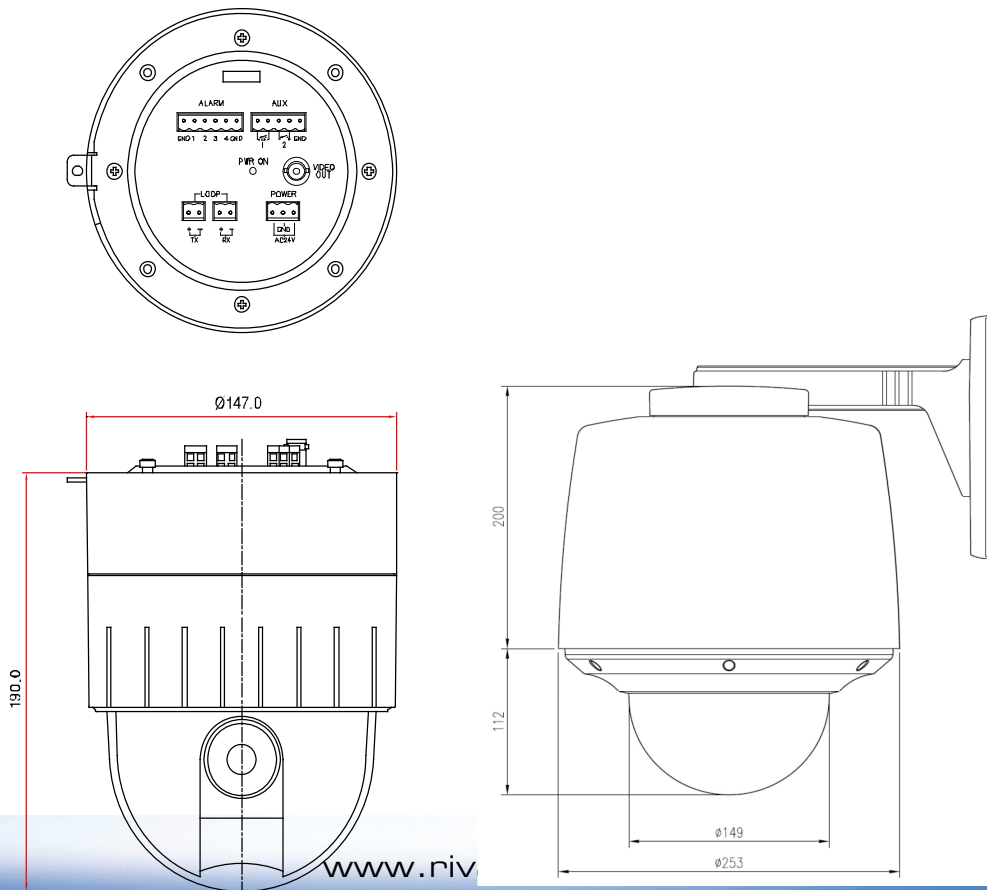
Option Model	Camera Module	Day & Night	WDR	PoE	USB	SD	IP66 IK10	VCAfollow (Auto-Tracking)
RC4100-1212-27/I	Samsung 27X Optical Zoom	ICR	X	X	X	0	X	0
RC4100-1212-27/O Outdoor	Samsung 27X Optical Zoom	ICR	X	X	X	0	0	0

* RC4100 Outdoor = RC4100 + ODH-103N

** 24V AC Power Supply not included

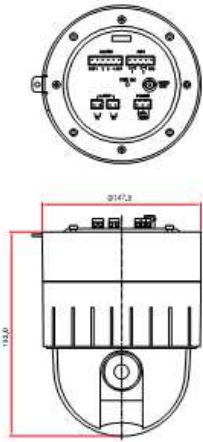
Dimension

(Unit: mm)

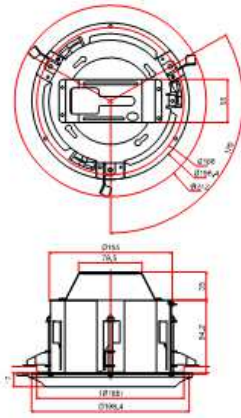


RC 4100 - 1212 - 27

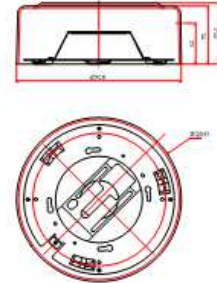
RC4100 Dimension & Accessories - Indoor Version



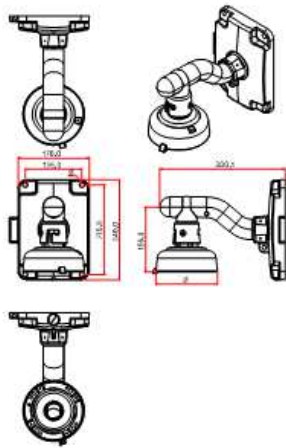
RC4100/I



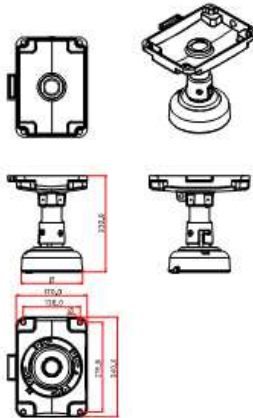
Flush Mount Bracket (FMB-4100)



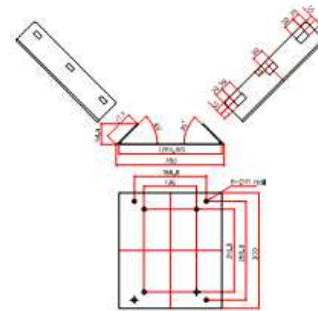
Hard Ceiling Mount Bracket (CMB-4100H)



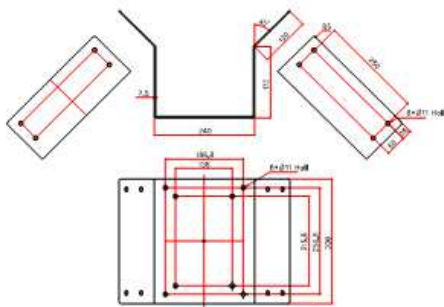
Wall Mount Bracket (WMB-4100)



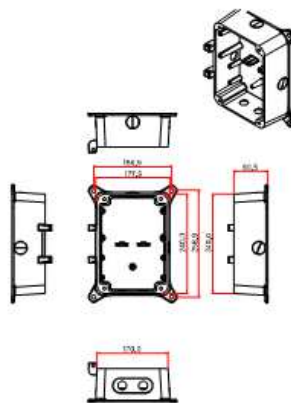
Ceiling Mount Bracket (CMB-4100)



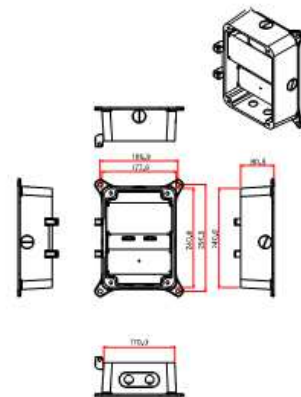
Pole Mount Adapter (PMA-4100)



Corner Mount Adaptor (CMA-4100)



Junction Box (JBK-4100)

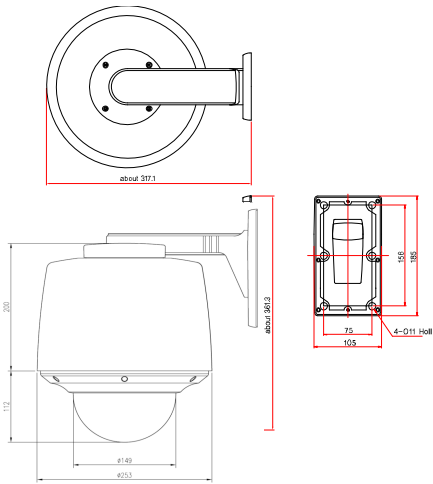


**Junction Box (JBX-4100)
(incl. Cable & PCB Kit)**

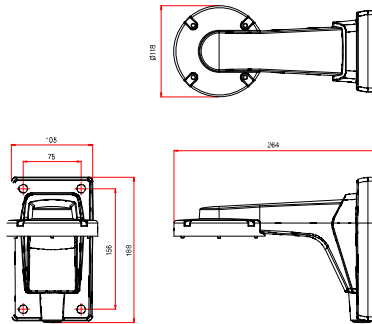
RC 4100 - 1212 - 27



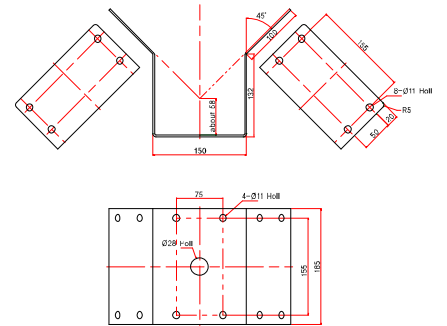
... more than standard



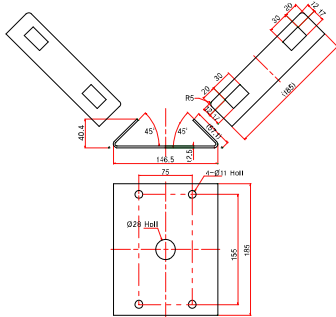
RC4100/O



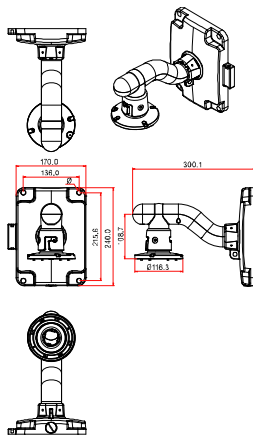
Wall Mount Bracket (WMB-4500A)



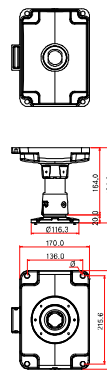
Corner Mount Adaptor (CMA-3000)



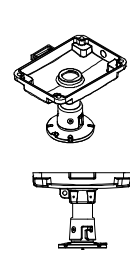
Pole Mount Adaptor (PMA-3000)



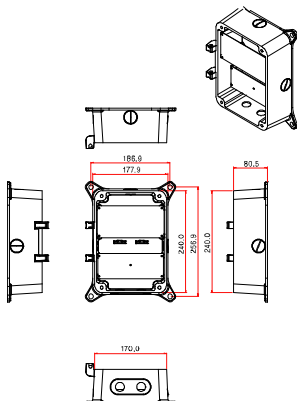
Wall Mount Bracket (WMB-4500)



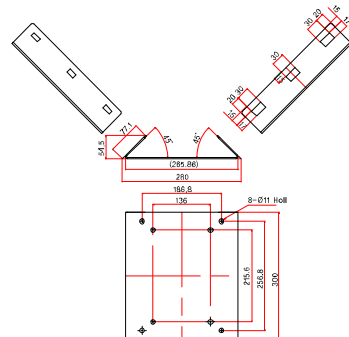
Ceiling Mount Bracket (CMB-4500)



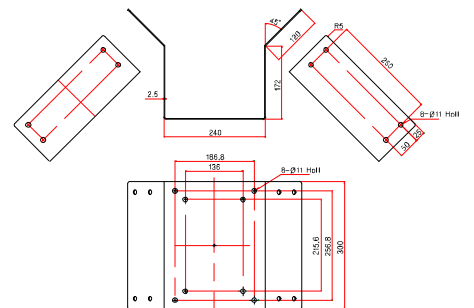
Junction Box (JBK-4100)



Junction Box (JBK-4100) (incl. Cable & PCB Kit)



Corner Mount Adaptor (CMA-4100)



Pole Mount Adaptor (PMA-4100)