

# RC5502HD-6415-05



## Full HD 5x Zoom PTZ IP Camera

- Full HD1080p @ 30fps
- 5x optical and 12x digital
- Compact and Sleek Design
- Pan Speed – Max 360° / sec
- Embedded VCA Technology Video Analytics
- Water Dust Proof (IP66)
- Video Dual Stream, Two-way Audio with G.711
- MicroSD/SDHC Memory Card Slot



### Specifications

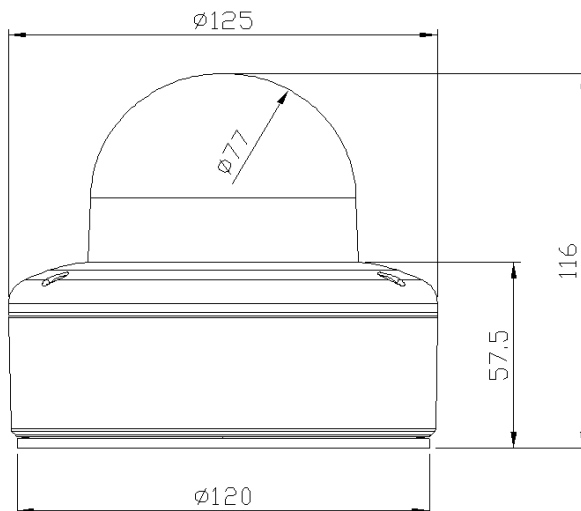
CAMERA	
<b>Model</b>	Remote control of pan/tilt – zoom/ focus indoor/outdoor <b>RC5502HD-6415-05:</b> 5x optical zoom
<b>Image Sensor</b>	1/3" 1080p CMOS
<b>Effective Pixels</b>	1920 x 1080
<b>Scanning System</b>	Progressive scanning
<b>AGC Control</b>	Auto, adjustable amplification level
<b>Minimum Illumination</b>	Color: 0.1 Lux (30IRE) / 0.01Lux (30IRE, DSS) B/W: 0.1Lux(30IRE) / 0.01Lux(30IRE, DSS)
<b>Lens</b>	3.8mm(w) – 19.2mm(t), F3.5(w) – F3.7(t), Optical 5x, Motorized Focus & Zoom Control
<b>Lens Angle of View</b>	Horizontal Wide approx: 51.5°(H) Horizontal Tele approx: 10.4°(H)
<b>Shutter Time</b>	1/30 to 1/60.000
<b>Shutter Exposure Modes</b>	Automatic / Flicker-Control - 50/60Hz
<b>Day &amp; Night Switching</b>	Digital Day & Night (no IR sensitivity during night mode)
<b>Image Settings</b>	Configurable brightness, contrast, saturation, sharpness, vertical flip & horizontal mirror function Corridor Mode (-90° / +90° image flip)
<b>2D-DNR</b>	Configurable digital noise reduction 1 ~ 16
<b>Wide Dynamic Range</b>	Digital WDR
<b>Exposure Adjustment</b>	+1.0, +0.6, +0.3, 0, -0.3, -0.6, -1.0 EV
<b>White Balance</b>	ATW / Manual
<b>DSS (Sens-up)</b>	Digital slow shutter function ON / OFF
<b>Backlight Compensation</b>	BLC On/Off (possible to designate zone)
PTZ	
<b>Pan / Tilt Speed</b>	Pan : Max 360° /sec, Tilt : Max 90° /sec
<b>Pan / Tilt Range</b>	Pan Range: 360° Endless Rotation Tilt Range: 90°
<b>Repositioning Preset</b>	255 presets (pre-stored position), recall of presets via internal timer function
<b>Guard Tour</b>	Max 6 Groups, each one can consisting up to 16 presets with individual dwell time
<b>Zoom Ratio</b>	Optical 5x; Digital 12x
VIDEO	
<b>Video Compression</b>	H.264 Baseline, Main, High profile (MPEG-4 Part 10/ AVC), MJPEG (Motion JPEG)
<b>Video Streaming</b>	Dual Stream, Independent Configurable <b>H.264:</b> Controllable frame rate and image resolution, bandwidth limitation (CVBR/CBR) <b>MJPEG:</b> Controllable frame rate and image resolution, JPEG quality

VIDEO		
<b>Resolution</b>	<b>16:9 model</b>	1920x1080, 1280x720, 1120x630, 960x540, 800x450, 640x360, 480x270, 320x180
	<b>4:3 model</b>	SXGA(1280x960), XGA(1024x768), SVGA (800x600), PAL(720x576), NTSC(720x480) VGA(620x480), QVGA(320x240)
<b>Frame Rate</b>	H.264: Configurable up to max 30fps in all resolution* MJPEG: Configurable up to max 30fps in all resolution*	
<b>Motion Detection</b>	Max. 8 zones with independent configuration of detection sensitivity and target object size	
<b>Video Stabilization</b>	Supported for First/Second Stream and Snapshot	
<b>Defogging</b>	Support defogging function for image enhancement	
<b>Text Overlay</b>	Free positioning of display for time/ data/ name (name up to 48 signs)	
<b>Privacy Mask Zones</b>	-	
<b>Smart Bitrate Control</b>	Supported (It works in VBR mode)	
AUDIO		
<b>Audio Input / Output</b>	Line-In: 0.178Vp-p, 10KΩ Lineout: 2.26Vp-p, 10KΩ	
<b>Compression Format</b>	G.711-uLaw	
NETWORK		
<b>Ethernet Standard/IP</b>	10 / 100 Base-T / IPv4, IPv6	
<b>Protocol</b>	QoS Layer 3 DiffServ, TCP/IP, UDP/IP, HTTP, HTTPS, FTP, RTSP, RTP, RTCP, RTP/UDP, RTP/TCP, mDNS, UPnP™, SMTP, DHCP, DNS, DynDNS, NTP, SNMPv1/v2c/v3(MIB-II), IGMP, ICMP, SSLv2/v3, TLSv1, SRTP, RTMP	
<b>Users Connection</b>	Live viewing for up to 10 clients	
<b>Security</b>	HTTPS(SSL), IP Filtering, Multi-level access with password protection	
GENERAL		
<b>I/O Terminal</b>	1x Alarm – In / 1x Alarm - Out	
<b>Edge Storage</b>	Via micro SD/SDHC card (up to 32GB) for continuous or event recording. Search interface for event files, playback and download (card not included).	
<b>Application Programming Interface</b>	Software Development Kit (SDK) available ONVIF compliant	
<b>Event Metadata Streaming RTSP/RTP</b>	Video Motion Detection(MD), Video Content Analytics(VCA)	
<b>ONVIF</b>	Version: 2.41 (Support Profile S and G)	

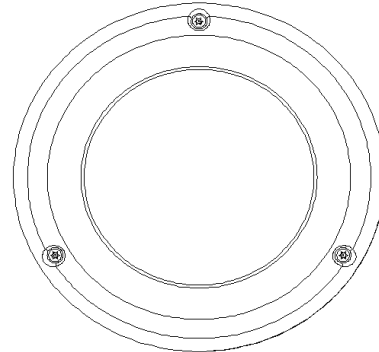
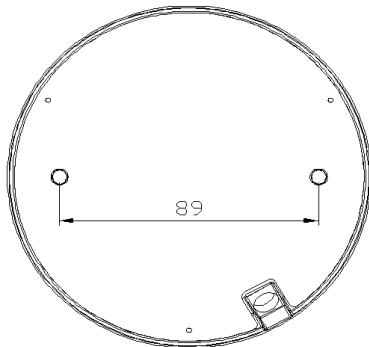
GENERAL	
<b>Event Sources</b>	Sensor (DI), Video Motion Detection, Tamper Detection, Video Content Analytics(VCA), Network Loss/Detect, Network Setting Change, Time (Recurrence/Schedule), Face Detection,
<b>Event Actions</b>	Notification service via TCP/IP, HTTP, multicast or email text messages with snapshot, DO-contact, file upload on external FTP server, local SD memory card recording
<b>Approvals</b>	CE, FCC, KC, IP66, IK10
ELECTRICAL	
<b>Power Source</b>	DC12V, PoE+(802.3at)
<b>Power Consumption (Approx)</b>	12W @ DC12V
ENVIROMENT	
<b>Operation Temperature</b>	DC12V / PoE+: -20°C ~ 50°C (-4°F ~ 122°F)
<b>Operating Humidity</b>	Up to 85% RH, Non-condensing
MECHANICAL	
<b>Color</b>	White
<b>Dimension</b>	Housing: 125 ( Φ ) x 116 (H) mm, Dome: 77 ( Φ ) mm
<b>Weight (Approx)</b>	1.0kg (2.2lbs)

\* If VCA is activate, frame rate is limit to max. 15fps@1080p.

**Dimension:** (Unit: mm)



VIDEO CONTENT ANALYSIS (Included as Standard)	
<b>High Performance</b>	Advanced tracking algorithm and low false alarm rate
<b>Easy to Use</b>	Intuitive web browser interface
<b>Detection Zones and Rules</b>	Up to 40 zones (multi-segment polygons and lines) 60 VCA filter rules in total
<b>On-screen Display</b>	Real-time display of tracking data and events via activeX plug-in in IE browser
<b>Burnt in Annotation</b>	Allows the VCA annotation to be burnt into the raw video stream for displaying on third party application
<b>Tamper Detection</b>	Recognize camera tampering via VCA detection (defocusing, lens covering, camera moving)
VIDEO CONTENT ANALYSIS (Option extension License)	
<b>Available License</b>	VCAdetectIP, VCAcountIP, VCAadvancedIP, VCAprofessionalIP, VCAtrackingIP
<b>VCA Detection Filters</b>	Objekt: Enter, Exit, Appear, Disappear, Stop, Direction, Dwell, Speed, Unauthorized Access, Counting Line, Color Filter, Object Classification
<b>VCA Features</b>	<ul style="list-style-type: none"> <li>- Up to 20 Onscreen Counter Displays</li> <li>- Counting-Line for accuracy people and vehicle counting with local database and reporting service</li> <li>- VCA calibration via 3D tools for right object size detection</li> <li>- Several definable object class to include into the detection rules for the VCA alarm</li> <li>- People tracking mode to tracks individuals separately among overlapped multiple people</li> <li>- 10 colors in total to distinguish objects by color</li> <li>- Heatmap Report shows relative crowd density of the 24 hour period (criterion: midnight)</li> </ul>
<b>VCA Preset</b>	Storage of 16 VCA Presets: Different VCA zone (line) and VCA filter setup can be assigned to the separate preset position.
<b>Logical Rules</b>	Extension of alarm rules using logical operators (AND, OR..) for the VCA detection filters of created zones / lines



Compact, Endless, and Precise Full HD PTZ camera with 5x optical zoom will provide an excellent performance on surveillance with high quality of image. Experience the satisfaction with new PTZ cameras never seen anywhere before.

#### ■ Discreet Surveillance

The compact and sleek design is ideal in any installation environment enabling tranquil surveillance without drawing people's attention. It has less than a quarter the size of the conventional PTZ cameras and an aesthetic design with the sleek finish of the ivory color and the clear bubble.

#### ■ Easy Installation

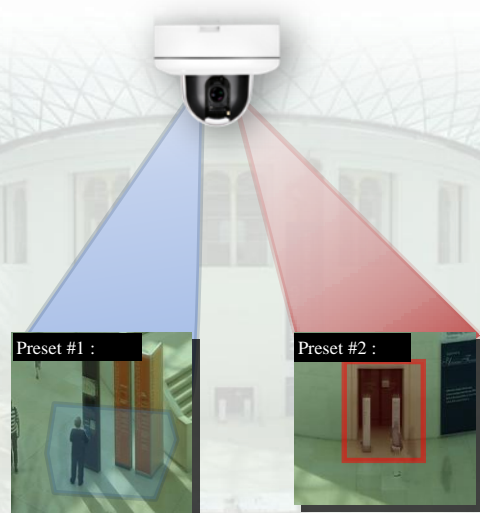
The light weight and the simplified cabling make the installation easy. It has just one fifth the average weight of the conventional PTZ cameras and operable by PoE+ for reduced cabling work.

#### ■ uTrack\*

The device is supported in uTrack, which is an autonomous object tracking solution for perimeter surveillance in an unmanned, wide area. uTrack consists of a PTZ camera and up to 5 fixed cameras, and IPX5502HD can be used as the PTZ camera. IPX5502HD never misses even a single object of interest as the PTZ camera is supposed to track objects of interest by the tracking priorities (VCA zones and rules) in the uTrack solution.

#### ■ Object Tracking with Various VCA Presets

User can set various VCA rules (detection behaviors) and zones to 16 different PTZ preset spots. This way, user can maximize the usage of a single PTZ camera for closer surveillance on various areas while reducing number of cameras and monitoring agents.



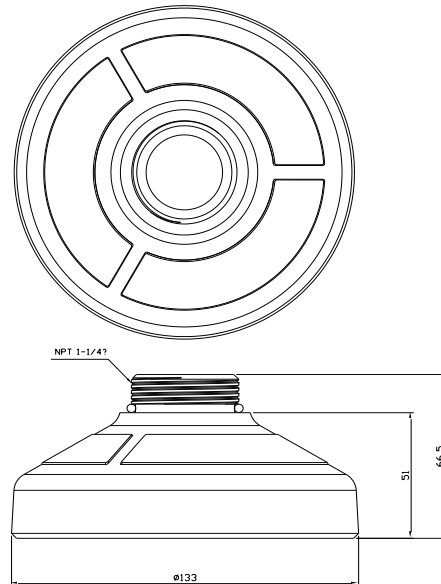
## Accessories

(Unit: mm)

### Pendant Mount Cap

**Model:** PMC-5502

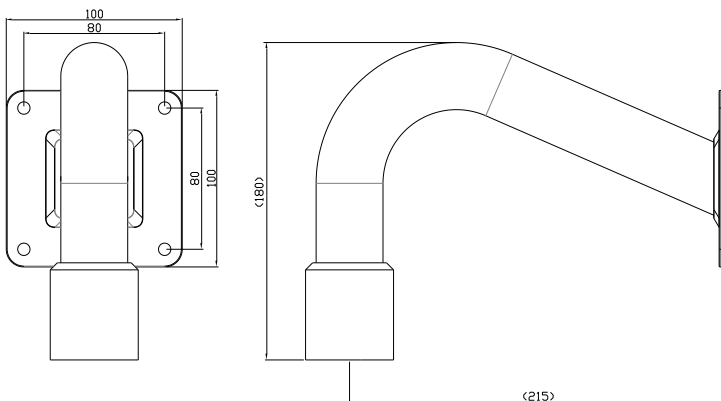
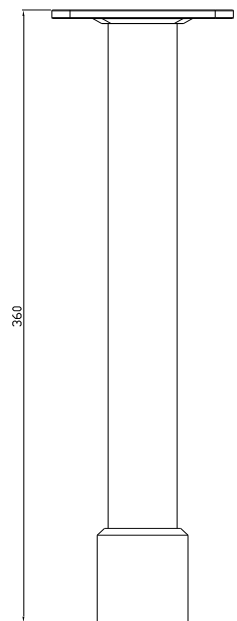
**Weight:** 230g (0.51lb)



### Ceiling Mount Bracket

**Model:** CMB-3000P

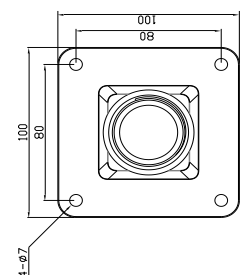
**Weight:** 437g (1.0lb)



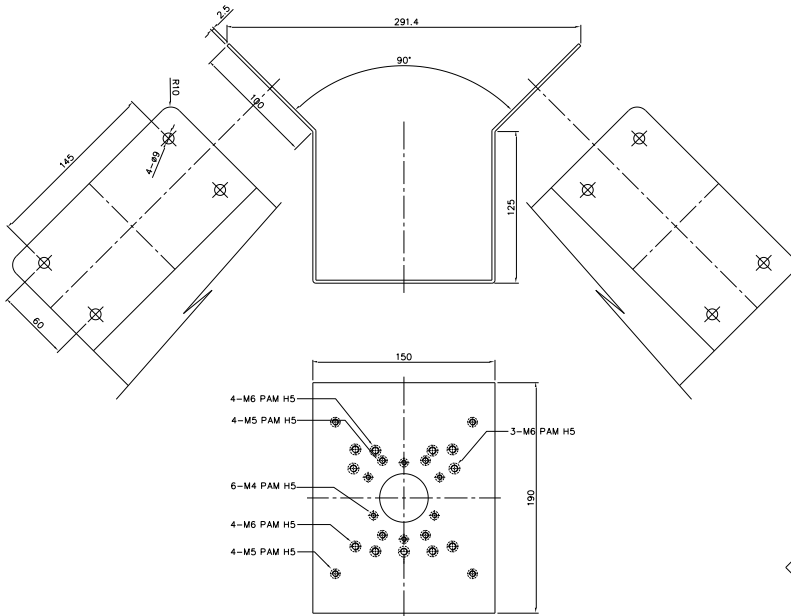
### Wall Mount Bracket

**Model:** WMB-3000P

**Weight:** 430g (0.95lb)



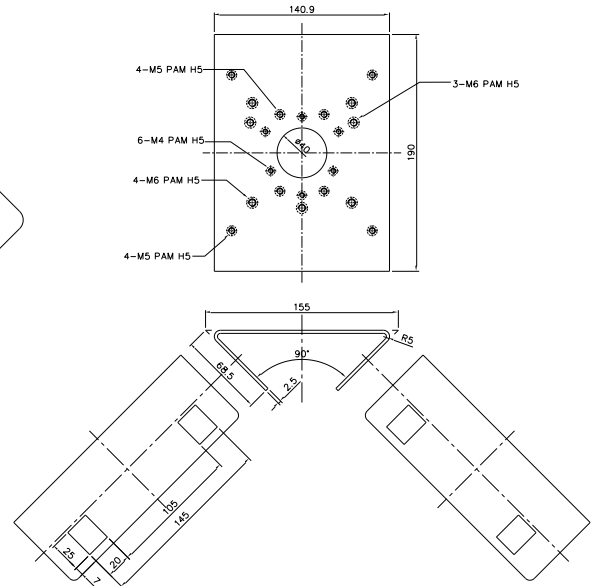
(Unit: mm)



### Corner Mount Adaptor

**Model:** CMA-U100

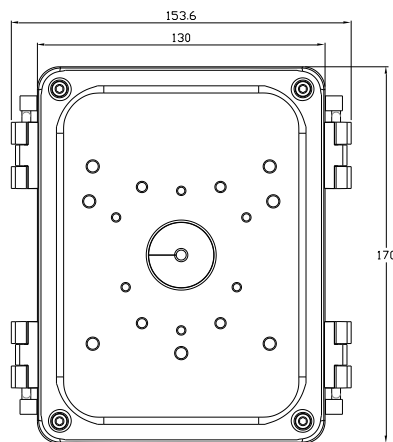
**Weight:** 2,283g (5.0lb)



### Pole Mount Adaptor

**Model:** PMA-U100

**Weight:** 946g (2.1lb)



### Junction Box Kit

**Model:** JBK-U100

**Weight:** 1,011.5g (2.2lb)

