

RC6702SV-7311-H



Full HD Starvis Sensor Compact Indoor / Outdoor IR Bullet IP Camera

- Full HD1080p @ 30fps
- Video Compression: H.264, MJPEG
- True Day/Night and true WDR
- Superior low light performance
- Built-in IR illuminator with Smart IR control
- Remote zoom and focus, one click focus
- MicroSD/SDHC Memory Card Slot
- ONVIF Support, IP66, PoE+ (IEEE 802.3at)
- Embedded VCA Technology Video Analytics
- Burnt-in Text, Video Motion Detection



Specifications

CAMERA		VIDEO	
Model	RC6702SV-7311-H: Motorized Focus & Zoom lens / Heater	Video Compression	H.264 Baseline, Main, High profile (MPEG-4 Part 10/ AVC), MJPEG (Motion JPEG)
Image Sensor	SONY STARVIS 1/2.8" 1080p CMOS	Video Streaming	Dual Stream, Independent Configurable H.264: Controllable frame rate and image resolution, bandwidth limitation (CVBR/CBR) MJPEG: Controllable frame rate and image resolution, JPEG quality
Effective Pixels	1920 x 1080	Resolutions	16:9 mode
Scanning System	Progressive scanning		1920x1080, 1280x720, 1120x630, 960x540, 800x450, 640x360, 480x270, 320x180
AGC Control	Auto, adjustable amplification level	4:3 mode	SXGA(1280x960), XGA(1024x768), SVGA(800x600), PAL(720x576), NTSC(720x480) VGA(620x480), QVGA(320x240)
Auto IRIS (DC)	Iris control via camera unit	Frame Rate	H.264: Configurable up to max 30fps in all resolution* MJPEG: Configurable up to max 30fps in all resolution*
Minimum Illumination	Color: 0.2Lux / 0.01Lux (DSS On) B/W : 0 Lux (IR LED On)	Motion Detection	Max. 8 zones with independent configuration of detection sensitivity and target object size
Lens	2.8(w) – 12.0mm(t), F1.4(w) – F2.6(t), Motorized Focus & Zoom Control – One Click Focus Function	Video Stabilization	Supported for First/Second Stream and Snapshot
Angle of View	Horizontal: Approx. 99°(Wide) to 35°(Tele) Vertical: Approx. 54°(Wide) to 20°(Tele)	Defogging	Selectable Defogging level (low, medium, high)
Shutter Time	1/10000s to 1/2s	Text Overlay	Free positioning of display for time/ data/ name (name up to 48 signs)
Shutter Exposure Modes	Automatic - with configurable min/max shutter speed (exposure time range) Manual - with configurable fixed shutter speed Flicker-Control - 50/60Hz	Privacy Mask Zones	4 flexible configurable regions
Day & Night Switching	Auto/Manual (both switching level adjustable 1 ~ 64) removable IR Cut Filter	Analogue Video	NTSC/PAL Video Signal (1.0Vp-p, 75Ω)
Image Settings	Configurable brightness, contrast, saturation, sharpness, vertical flip & horizontal mirror function, Corridor Mode (-90° / +90° image flip)	NETWORK	
2D-DNR	Configurable digital noise reduction 1 ~ 16	Ethernet Standard/IP	10 / 100 Base-T / IPv4, IPv6
Wide Dynamic Range	Up to 120dB Dynamic Range with activated WDR	Protocol	QoS Layer 3 DiffServ, TCP/IP, UDP/IP, HTTP, HTTPS, FTP, RTSP, RTCP, RTP/UDP, RTP/TCP, mDNS, UPnP™, SMTP, DHCP, DNS, DynDNS, NTP, SNMPv1/v2c/v3(MIB-II), IGMP, ICMP, SSLv2/v3, TLSv1, SRTMP, RTMP
Exposure Adjustment	+1.0, +0.6, +0.3, 0, -0.3, -0.6, -1.0 EV	Users Connection	Live viewing for up to 10 clients
White Balance	ATW1 / ATW2 / Push / Manual	Security	HTTPS(SSL), IP Filtering, Multi-level access with password protection
DSS (Sens-up)	Configurable digital slow shutter 2X ~ 16X	GENERAL	
Backlight Compensation	BLC On/Off (possible to designate zone)	I/O Terminal	1x Alarm In - max 50mA@5VDC, TTL 1x Alarm Out - max 50mA@24VDC, TTL
IR ILLUMINATOR		Edge Storage	Via micro SD/SDHC (up to 32GB) card for continuous or event recording. Search interface for event files, playback and download (card not included).
IR LED	High Power IR LED x 16 (850nm)	Application Programming Interface	Software Development Kit (SDK) available
IR Working Distance	up to 35m (115ft)		
SMART IR	Automatically adjust the infrared light to the best, according to the brightness of the scene		
AUDIO			
Audio input / output	Line-In: 0.178Vp-p, 10KΩ Line-out: 2.26Vp-p, 10KΩ		
Compression Format	G.711-uLaw		

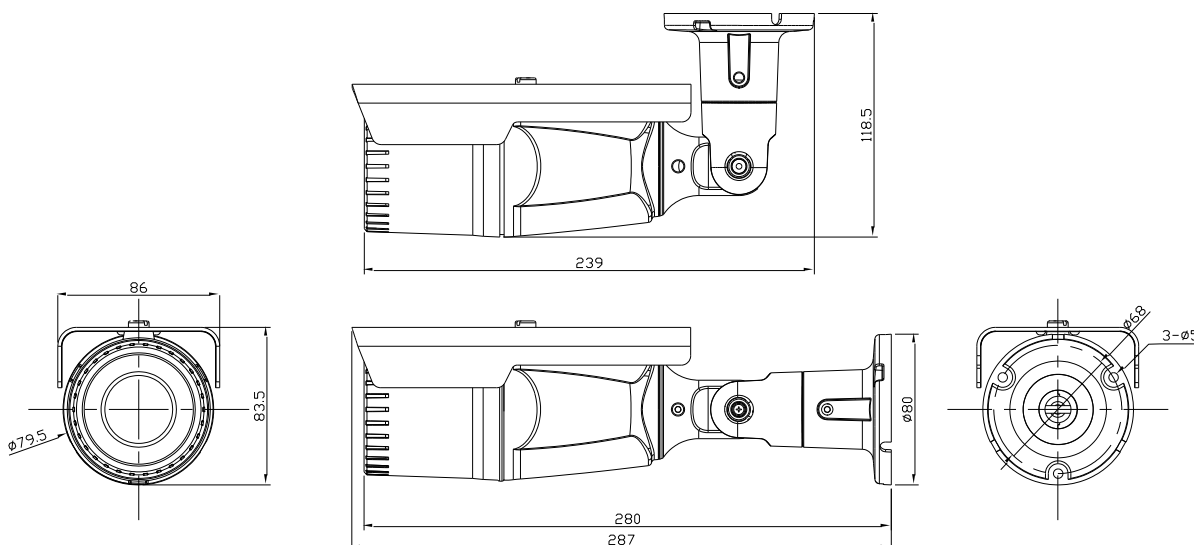
RC6702SV-7311-H

GENERAL		VIDEO CONTENT ANALYSIS (Included as a Standard)	
Event Metadata Streaming RTSP/RTP	Video Motion Detection(MD), Video Content Analytics(VCA)	High Performance	Advanced tracking algorithm and low false alarm rate
ONVIF	Version: 2.41 (Support Profile S and G)	Easy to Use	Intuitive web browser interface
Event Sources	Sensor(DI), Video Motion Detection, Tamper Detection, Video Content Analytics(VCA), Network Loss/Detect, Network Setting Change, Time (Recurrere/Schedule)	Detection Zones and Rules	Up to 40 zones (multi-segment polygons and lines) 60 VCA filter rules in total
Event Actions	Notification service via TCP/IP, HTTP, multicast or email text messages with snapshot, DO-contact, file upload on external FTP server, local SD memory card recording	On-screen Display	Real-time display of tracking data and events via activeX plug-in in IE browser
Approvals	FCC, CE, KC, UL,IP66, RoHs	Burnt in Annotation	Allows the VCA annotation to be burnt into the raw video stream for displaying on third party application
ELECTRICAL		Tamper Detection	Recognize camera tampering via VCA detection (defocusing, lens covering, camera moving)
Power Source	12V DC / PoE+ (IEEE 802.3at)	VIDEO CONTENT ANALYSIS (Option extension License)	
Power Consumption	DC 12V, PoE+ / Max. 19W @ DC 12V	Available License	VCAdetectIP, VCAcountIP, VCAadvancedIP, VCAprofessionalIP
ENVIROMENT		VCA Detection Filters	Object: Enter, Exit, Appear, Disappear, Stop, Direction, Dwell, Speed, Unauthorized Access, Counting Line, Color Filter, Object Classification
Operation Temperature	DC12V/PoE+ : -40°C ~ 50°C (-40°F ~ 122°F)	VCA Features	<ul style="list-style-type: none"> - Up to 20 Onscreen Counter Displays - Counting-Line for accuracy people and vehicle counting with local database and reporting service - VCA calibration via 3D tools for right object size detection - Several definable object class to include into the detection rules for the VCA alarm - 10 colors in total to distinguish objects by color - People tracking mode to tracks individuals separately among overlapped multiple people - Heatmap Report shows relative crowd density of the 24 hour period (criterion: midnight)
Operating Humidity	Up to 85% RH, Non-condensing		
MECHANICAL		Logical Rules	Extension of alarm rules using logical operators (AND, OR..) for the VCA detection filters of created zones / lines
Material	Aluminum Die Casting		
Color	White		
Dimension	86(W) x 83.5(H) x 287(D)mm (with bracket) (3.34" x 3.3" x 11")		
Weight (Approx)	0.9kg (2 lbs)		

* If VCA is activate, frame rate is limit to max15fps@1080p.

Dimension RC6702SV

(Unit: mm)



Standard Camera



RC6702SV



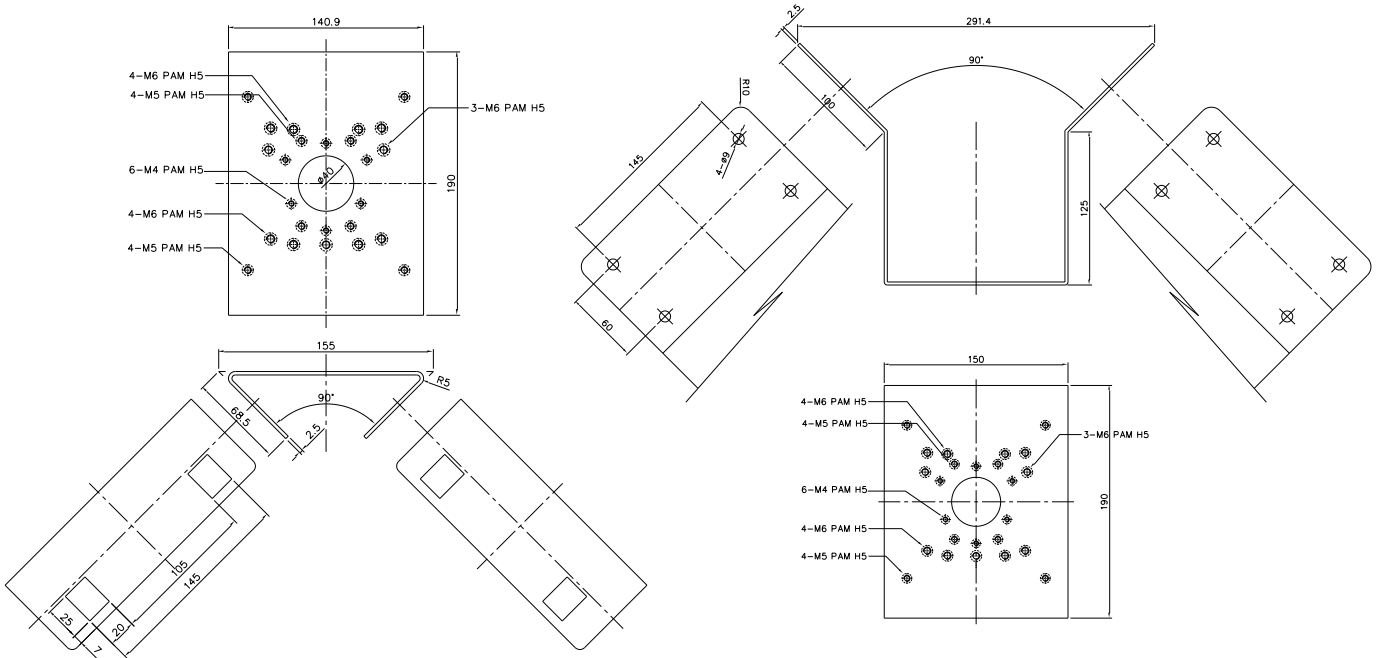
■ Super Low Light Performance

One of the major complaints from CCTV users is known to be poor visibility at night time. RC6702SV equipped with the Sony STARVIS image sensor can be a solution to soothe the complaining customers. RC6702SV shows off its outstanding imaging functionality especially when it performs in low light conditions. Image appears brighter, thus objects and the details become more visible in RC6702SV compared to the conventional full HD IP cameras.

■ Improved Performance of Video Analytics

RC6702SV's superior imaging functionality in low light conditions promotes the leading-edge video analytics to perform its best by eliminating the low light barrier that causes the video analytics engine to have difficulty detecting

Accessories

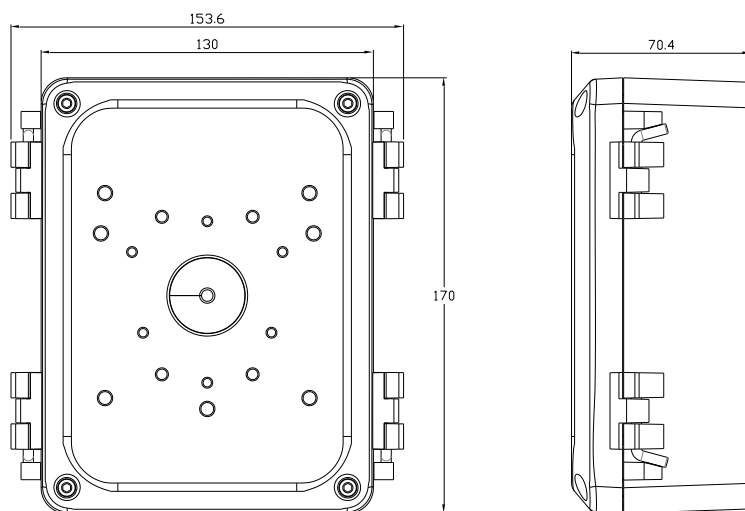


Pole Mount Adaptor

Model: PMA-U100
Weight: 2,28Kg (5.0lbs)

Corner Mount Adaptor

Model: CMA-U100
Weight: 946g (2.1lbs)



Junction Box

Model: JBK-U100
Weight: 1.02Kg (2.2lbs)

To mount bullet camera model RC6602/RC7602/RC6802 on pole or corner the adaptor PMA-6000 or CMA-6000 can use alternative.