

RF3303IR-A

3 Megapixel In-/Outdoor & Vandal-Proof IR Dome IP Camera with motorized zoom and focus

- H.264 & MJPEG dual-video-stream
- Up to 20fps@3MP (2304x1296) /25fps@1080P (1920x1080)
- True Day/Night and digital WDR
- 2.7~12mm lens with remote zoom and focus
- ONVIF support, PoE (IEEE 802.3af)
- IK-10 Vandal Resistance / IP66 Water Protection
- Integrated IR LEDs, max distance 30m
- Micro SD memory interface



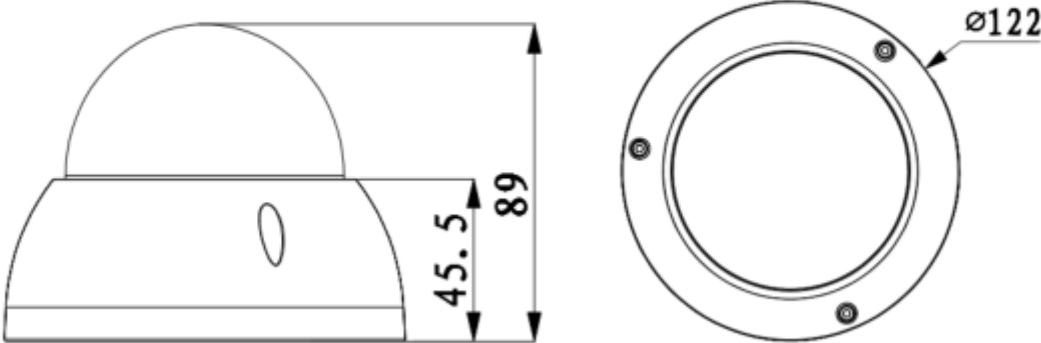
Specifications

CAMERA		VIDEO	
Image Sensor	1/3" 3Megapixel CMOS	Burnt-in Text	Time-Date / Name - flexible display position
Effective Pixels	2304(H) x 1296(V)	Analog Video Output	-
Scanning System	Progressive scanning	AUDIO	
Electronic Shutter Speed	1/4 ~ 1/100000	Compression Format	-
Shutter Exposure Modes	Automatic/Manual – with selectable fixed shutter speed or configurable min/max shutter speed range Presetting - Low Noise / Low Motion Blur Flicker-Control – Outdoor/50/60Hz	Interface	-
Minimum Illumination	Color: 0.1lux, F1.4 B/W: 0Lux, F1.4 (IR LED On)	NETWORK	
S/N Ratio	Better than 50dB	Ethernet	RJ-45 (10/100Base-T)
CAMERA FEATURES		Protocol	IPv4/IPv6, HTTP, HTTPS, SSL, TCP/IP, UDP, UPnP, ICMP, IGMP, SNMP, RTSP, RTP, SMTP, NTP, DHCP, DNS, PPPOE, DDNS, FTP, IP Filter, QoS, Bonjour
White Balance	Auto / Sunny/ Night / Outdoor / Manual	ONVIF / PSIA	Version 2.4.0 (Profile S) / PSIA compliant
Gain Control	Auto / Manual (configurable level)	Users Connection	Live viewing for up to 20 clients
Day/Night	Auto/Manual (3 predesigned switching levels selectable) - removable IR Cut Filter	Security	Multi-level user access with password protection MAC address, IP address or address range filtering function for limit access
Backlight Compensation	BLC On/Off (flexible configurable zone for BLC)	GENERAL	
Wide Dynamic Range	Digital WDR (configurable level)	Memory Interface	1x Micro SD/SDHC slot, up to 128GB support. Search interface for event and continuities records, playback and file download (card not included).
Image Settings	Configurable brightness, contrast, saturation, sharpness, vertical flip & horizontal mirror function	I/O Terminal	-
3D Noise Reduction	Configurable digital noise reduction	IR Working Distance	Approx 30m
Motion Detection	4 zones with independent configuration of detection sensitivity and alarm trigger threshold	Event Sources	- Motion detection - Video tamper
Privacy Masking Zones	4 flexible configurable regions	Event Actions	- Notification service via email message with snapshot, - Video clip / snapshot upload on external FTP server / NAS - Local SD memory card recording
LENS		Approvals	FCC, CE,IP66, IK10, RoHs
Lens	2.7(w) – 12mm(t), Fixed Iris, Motorized Focus & Zoom Control – One Click Focus Function	ELECTRICAL	
Max Aperture	F1.4	Power Source	DC12V, PoE(802.3af)
Angle of View	Horizontal angle: 92°(Wide) ~ 28°(Tele)	Power Consumption	Max 8W
VIDEO		Working Environment	-30°C ~ +60°C
Video	H.264/H.264H: Controllable frame rate and image resolution, video stream bandwidth limitation (VBR/CBR 48K ~ 8192Kbps) MJPEG: Controllable frame rate and image resolution, bandwidth limitation (CBR)	Operating Humidity	≤90%, non-condensing
Resolution	3MP=2304x1296, 1080P=1920x1080, SXGA=1280x1024, 1.3M=1280x 960, 720P=1280x720, D1=704x576, CIF=352x288	MECHANICAL	
Configurable Frame Rate / Resolution	First Stream: 3MP up to 20fps / 1080P/ SXGA 1.3M/720P up to 25fps Second Stream: D1/CIF up to 25fps	Dimensions	122mm (Φ) x 89mm (H)
		Weight	0.6kg
		Material	Aluminum Die Casting, Anti-vandal bubble (PC)

RF3303IR-A

Dimension

(Unit: mm)



Accessories

Junction Box JBK137	Wall Mount Bracket WMB203W	Pole Mount Adapter PMA152*	Flush Mount Bracket FMB210

* Note: To mount unit on pole adapter need to use wall mount bracket WMB203W. To cover IP classification of the camera housing or bracket need accordingly installation