

RF6201IR

2 Megapixel Full HD Outdoor IR Micro Bullet IP Camera

- H.264 & MJPEG triple-video-stream
- Up to 25fps@1080P(1920x1080)
- True Day/Night and digital WDR
- 3.6mm fixed focal lens
- ONVIF support, PoE (IEEE 802.3af)
- IP66 Water Protection
- Integrated IR LEDs, max distance 30m



Specifications

CAMERA	
Image Sensor	1/2.8" 2Megapixel Exmor CMOS
Effective Pixels	1920x1080
Scanning System	Progressive scanning
Electronic Shutter Speed	1/4 ~ 1/10000s
Shutter Exposure Modes	Automatic/Manual – with selectable fixed shutter speed or configurable min/max shutter speed range Presetting - Low Noise / Low Motion Blur Flicker-Control – Outdoor/50/60Hz
Minimum Illumination	Color: 0.1Lux, F1.2 B/W: 0.01Lux, F1.2 IR LED On: 0Lux, F1.2
S/N Ratio	Better than 50dB
CAMERA FEATURES	
White Balance	Auto / Sunny/ Night / Outdoor / Manual
Gain Control	Auto / Manual (configurable level 0-100)
Day/Night	Auto/Manual (3 predesigned switching levels selectable) - removable IR Cut Filter
Backlight Compensation	BLC On/Off (flexible configurable zone for BLC)
Wide Dynamic Range	Digital WDR (configurable level 0-100)
Image Settings	Configurable brightness, contrast, saturation, sharpness, vertical flip & horizontal mirror function
3D Noise Reduction	Configurable digital noise reduction 1-100
Motion Detection	4 zones with independent configuration of detection sensitivity and alarm trigger threshold
Privacy Masking Zones	4 flexible configurable regions
LENS	
Lens	3.6mm, fixed lens
Max Aperture	F1.8
Angle of View	Horizontal 88°
VIDEO	
Video	H.264: Controllable frame rate and image resolution, video stream bandwidth limitation (VBR/CBR) MJPEG: Controllable frame rate and image resolution, bandwidth limitation (CBR)
Resolution	1080P=1920x1080, 720P=1280x720, D1=704x576, CIF=352x288
Frame Rate	First Stream: 1080P/720P up to 25fps configurable Second Stream: D1/CIF up to 25fps configurable Third Stream: 720P/D1/CIF up to 25fps) configurable*

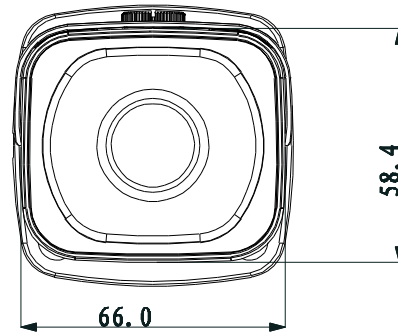
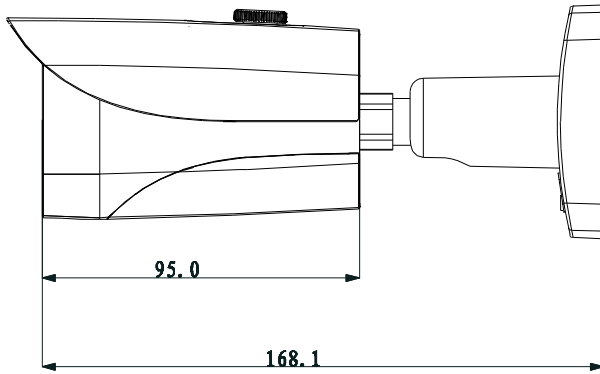
VIDEO	
Burnt-in Text	Time-Date / Name / Text - flexible display position
NETWORK	
Ethernet	RJ-45 (10/100Base-T)
Protocol	IPv4/IPv6, TCP/IP, UDP, HTTP, HTTPS, SSL, UPnP, SNMP, RTSP, RTP, ICMP, IGMP, SMTP, NTP, DHCP, DNS, PPPOE, Bonjour ,DDNS, FTP, QoS, IP Filter
ONVIF	Version 2.4.1 (support Profile S)
Users Connection	Live viewing for up to 20 clients
Security	Multi-level user access with password protection MAC address, IP address or address range filtering function for limit access
GENERAL	
IR Working Distance	Approx 30m
Event Sources	Motion detection, Video tamper
Event Actions	- Notification service via email message with snapshot, - Video clip / snapshot upload on external FTP server / NAS
Approvals	FCC, CE, IP66, RoHS
ELECTRICAL	
Power Source	DC12V, PoE(802.3af)
Power Consumption	Max 6W
Working Environment	-20°C ~ +60°C
Operating Humidity	≤90%, non-condensing
MECHANICAL	
Dimensions	66mm (W) x 59mm (H) x 168mm (D) (including bracket)
Weight	0.5kg
Material	Aluminum Die Casting

* Depending of frame rate and image resolution configuration for first /second video stream the max fps of third stream can diversity between 10-25fps in highest resolution.

RF6201IR

Dimension

(Unit: mm)



Accessories

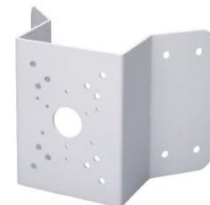
Junction Box
JBK121 (IP66)



Pole Mount Adapter
PMA150



Corner Mount Adapter
CMA151



To cover IP classification of the camera housing or bracket need accordingly installation