

RF6203IR

2 Megapixel Full HD Outdoor IR Bullet IP Camera

- H.264 & MJPEG triple-video-stream, two way Audio
- Up to 25fps@1080P (1920x1080)
- True Day/Night and digital WDR
- 3–9mm lens with remote zoom and focus, one click focus
- ONVIF support, PoE (IEEE 802.3af)
- IP66 Water Protection
- Integrated IR LEDs, max distance 30m
- Micro SD memory interface



Specifications

CAMERA	
Image Sensor	1/2.8" 2MegapixelExmor CMOS
Effective Pixels	1920x1080
Scanning System	Progressive scanning
Electronic Shutter Speed	1/4 ~ 1/10000
Shutter Exposure Modes	Automatic/Manual – with selectable fixed shutter speed or configurable min/max shutter speed range Presetting - Low Noise / Low Motion Blur Flicker-Control – Outdoor/50/60Hz
Minimum Illumination	Color: 0.1Lux, F1.2 B/W: 0.01Lux, F1.2 IR LED On: 0Lux, F1.2
S/N Ratio	Better than 50dB
CAMERA FEATURES	
White Balance	Auto / Sunny/ Night / Outdoor / Manual
Gain Control	Auto / Manual (configurable level 0-100)
Day/Night	Auto/Manual (3 predesigned switching levels selectable) - removable IR Cut Filter
Backlight Compensation	BLC On/Off (flexible configurable zone for BLC)
Wide Dynamic Range	Digital WDR (configurable level 0-100)
Image Settings	Configurable brightness, contrast, saturation, sharpness, vertical flip & horizontal mirror function
3D Noise Reduction	Configurable digital noise reduction 1-100
Motion Detection	4 zones with independent configuration of detection sensitivity and alarm trigger threshold
Privacy Masking Zones	4 flexible configurable regions
LENS	
Lens	3.0(w) – 9.0mm(t), DC Auto Iris, Motorized Focus & Zoom Control – One Click Focus Function
Max Aperture	F1.2
Angle of View	Horizontal angle: 103.9°(Wide) ~ 34.1°(Tele)
VIDEO	
Video	H.264: Controllable frame rate and image resolution, video stream bandwidth limitation (VBR/CBR) MJPEG: Controllable frame rate and image resolution, bandwidth limitation (CBR)
Resolution	1080P=1920x1080, 720P=1280x720, D1=704x576, CIF=352x288
Frame Rate	First Stream: 1080P/720P up to 25fps configurable Second Stream: D1/CIF up to 25fps configurable Third Stream: 720P/D1/CIF up to 25fps configurable*

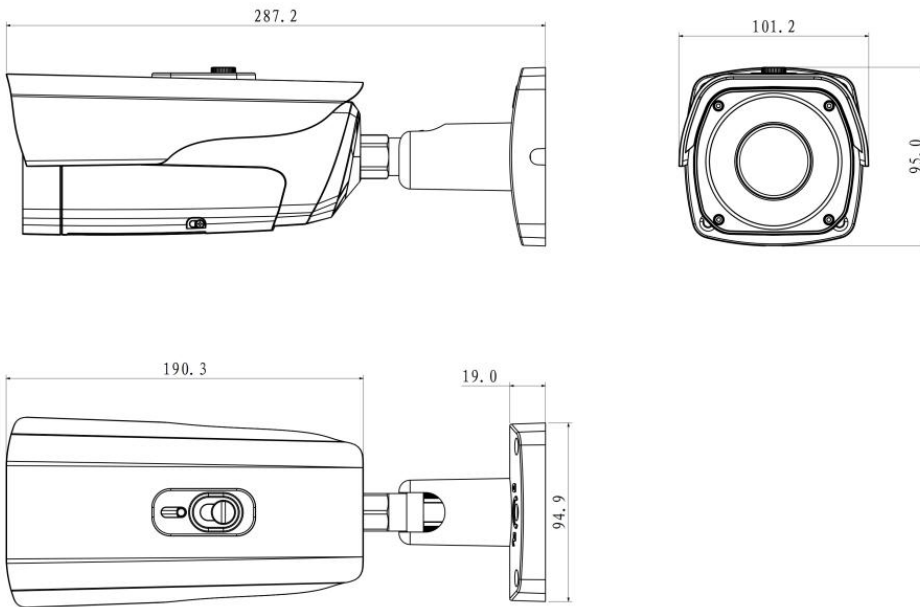
VIDEO	
Burnt-in Text	Time-Date / Name / Text - flexible display position
Analog Video Output	PAL Signal (1.0Vp-p, 75Ω)
AUDIO	
Compression Format	G.711a /G.711u /PCM
Interface	1/1 line in/out terminal
NETWORK	
Ethernet	RJ-45 (10/100Base-T)
Protocol	IPv4/IPv6, HTTP, HTTPS, SSL, TCP/IP, UDP, UPnP, ICMP, IGMP, SNMP, RTSP, RTP, SMTP, NTP, DHCP, DNS, PPPOE, DDNS, FTP, IP Filter, QoS, Bonjour
ONVIF	Version 2.4.1 (support Profile S)
Users Connection	Live viewing for up to 20 clients
Security	Multi-level user access with password protection MAC address, IP address or address range filtering function for limit access
GENERAL	
Memory Interface	1x Micro SD/SDHC slot, max 64GB support (Recommend Class 6 and higher for HD recording)
I/O Terminal	2x input contact / 1x output contact
IR Working Distance	Approx 30m
Event Sources	Motion detection, Video tamper, DI contact
Event Actions	- Notification service via email message with snapshot, - DO-contact - Video clip / snapshot upload on external FTP server / NAS - Local SD memory card recording
Approvals	FCC, CE,IP66, RoHs
ELECTRICAL	
Power Source	DC12V, PoE(802.3af)
Power Consumption	Max 8.5W
Working Environment	-40°C ~ +60°C with heater
Operating Humidity	≤90%, non-condensing
MECHANICAL	
Dimensions	102mm (W) x 95mm (H) x 282mm (D) (including bracket)
Weight	1,35 kg
Material	Aluminum Die Casting

* Depending of frame rate and image resolution configuration for first /second video stream the max fps of third stream can diversity between 10-25fps in highest resolution.

RF6203IR

Dimension

(Unit: mm)



Accessories

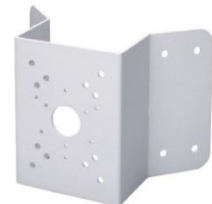
Junction Box
JBK121 (IP66)



Pole Mount Adapter
PMA150



Corner Mount Adapter
CMA151



To cover IP classification of the camera housing or bracket need accordingly installation