

RTC6500Q/V Series



Thermal Imaging IP Camera with Video Analyses

- 17 μm uncooled VOx microbolometer
- 320x240 / 640x480 Resolutions
- 30 fps or 9fps version for global commercial applications
- Flexible input power options: AC, DC, PoE
- 802.3af (PoE) simplified installation over a single network cable
- Integrated video analyses of VCA Technology
- Image Contrast Enhancement (ICE) features
- IP and analog connectivity
- Indoor/Outdoor IP66 Protection Ration



Spezifications

CAMERA	
Image Resolution	RTC6500Q: 320x240 RTC6500V: 640x480
Detection Type	Uncooled Vanadium Oxide Microbolometer
Sensor Pixel Size	RTC6500Q / RTC6500V: 17 μm
Spectral Response	8-14 μm
Sensitivity (NETD)	< 50 mK at f/1.0
Lens (FOV)	RTC6500Q: 6°, 9°, 16°, 24°, 42°, 60° RTC6500V: 12°, 18°, 25°, 37°, 50°
Image Settings	Configurable brightness, contrast, sharpness, vertical and horizontal rotation, Corridor Mode (-90° / +90° image flip)
Image Process	Image Contrast Enhancement (ICE™)
Gain / Level Control	Automatic
Scanning System	Progressive Scan
VIDEO	
Video Compression	H.264 Baseline, Main, High profile(MPEG-4 Part 10/ AVC), MJPEG(Motion JPEG)
Video Streaming	Dual Stream, Respective Configurable H.264: Controllable frame rate, image resolution, bandwidth limitation (CVBR/CBR) MJPEG: Controllable frame rate, image resolution, JPEG quality
Resolutions	RTC6500Q: 640x480 (VGA, Scaled-up), 320x240 (QVGA), 160x120 (QQVGA) RTC6500V: 640x480 (VGA), 320x240 (QVGA), 160x120 (QQVGA)
Frame Rate	Configurable up to 30 FPS or 9 FPS depending of selected model*
Motion Detection	Max. 8 zones with respective setting detection sensitivity and minimum object size
Video Stabilization	Supported for First/Second Stream and Snapshot
Text Overlay	Free positioning of display for time/ data/ name (name up to 48 signs)
Privacy Mask	4 configurable regions
Analog Output	NTSC / PAL

Audio	
Audio Streaming	Two-way
Audio Compression	G.711-uLaw
Audio Interface	Line Input / output terminal
NETWORK	
Ethernet Standard/IP	10 / 100 Base-T / IPv4, IPv6
Protocol	QoS Layer 3 DiffServ, TCP/IP, UDP/IP, HTTP, HTTPS, FTP, RTSP, RTCP, RTP/UDP, RTP/TCP, mDNS, UPnP™, SMTP, DHCP, DNS, DynDNS, NTP, SNMP v2c/v3(MIB-II), IGMP, ICMP, SSLv2/v3, TLS, SRTP, RTMP, IEEE802.1X
Users connection	Live viewing for up to 10 clients
Security	HTTPS(SSL), SRTP, IP Filtering, Multi-level access with password protection
GENERAL	
I/O Terminal	1x Alarm In - max 50mA@5VDC, TTL 2x Alarm Out - max 50mA@24VDC, TTL
Application Programming Interface	Software Development Kit (SDK) available ONVIF compliant
Event Metadata Streaming RTSP/RTP	Video Motion Detection (MD), Video Content Analytics(VCA)
ONVIF	Version: 2.41 (Support Profile S and G)
Event Sources	Input(DI), Output(DO), Video Motion Detection, Tamper Detection, Video Content Analytics(VCA), Network Loss/Detect, Network Setting Change, Time (Recurrence/Schedule)
Event Actions	Notification service via TCP/IP, HTTP, multicast or email text messages with snapshot, snapshot upload on external FTP server, output (DO) switching
Approvals	FCC, CE, KC, IP66, UL, RoHs
ELETRICAL	
Power Source	DC 12V, AC 24V, PoE (IEEE 802.3af)
Consumption	Max. 10 W @ DC 12V
ENVIROMENT	
Temperature	DC12V/AC24V/PoE: -40°C~60°C (-40°F~140°F)
Humidity	Up to 90% rel. humidity non-condensing

RTC6500Q/V Series



MECHANICAL	
Material	Polycarbonate, Aluminum Die-Casting
Color	White
Dimension	95(w) x 98(H) x 293(D) mm 3.7"x3.9"x11.5"
Weight (Approx)	1.2kg (2.65lb)
VIDEO CONTENT ANALYSIS (Included as Standard)	
High Performance	Advanced tracking algorithm and low false alarm rate
Easy to Use	Intuitive web browser interface
Detection Zones and Rules	Up to 40 zones (multi-segment polygons and lines) 60 VCA filter rules in total
On-screen Display	Real-time display of tracking data and events via activeX plug-in in IE browser
Burnt in Annotation	Allows the VCA annotation to be burnt into the raw video stream for displaying on third party application
Tamper Detection	Recognize camera tampering via VCA detection (defocusing, lens covering, camera moving)
VCA DETECT LICENSE (Included as Standard)	
3D VCA Calibration	Camera Scene Settings will be configured with innovative graphical controls and tools to optimize VCA output
Object Classification	Design of different Object classes to include in VCA Alarm Rules
Included VCA Detection Filters	Direction, Speed, Dwell, Stop, Classification

VIDEO CONTENT ANALYSIS (Option extension License)	
Additional Functions	VCAcountIP, VCAadvancedIP, VCAprofessionalIP
VCA Detection Filter	Objekt: Enter, Exit, Appear, Disappear, Stop, Direction, Dwell, Speed, Unauthorized Access, Counting Line, Color Filter, Object Classification
VCA Functions	<ul style="list-style-type: none"> - Up to 20 Onscreen Counter Displays - Counting-Line for accuracy people and vehicle counting with local database and reporting service - VCA calibration via 3D tools for right object size detection - Several definable object class to include into the detection rules for the VCA alarm - 10 colors in total to distinguish objects by color - People tracking mode to tracks individuals separately among overlapped multiple people - Heatmap Report shows relative crowd density of the 24 hour period (criterion: midnight)
Logical Rules	Extension of alarm rules using logical operators (AND, OR..) for the VCA detection filters of created zones / lines
ACCESSORIES	
Mounting Adapter	WBOVA2 – Wall Bracket WSFPA – Pole Mount Adapter WCWA – Corner Mount Adapter

**9 Hz models are export controlled by the U.S. Department of Commerce under ECCN 6A993.
 30 Hz models are export controlled by the U.S. Department of Commerce under ECCN 6A003b.4.b.
 The commodities described herein may require the U.S. Government authorization prior to export or re-export.*

Models assorted by Resolution

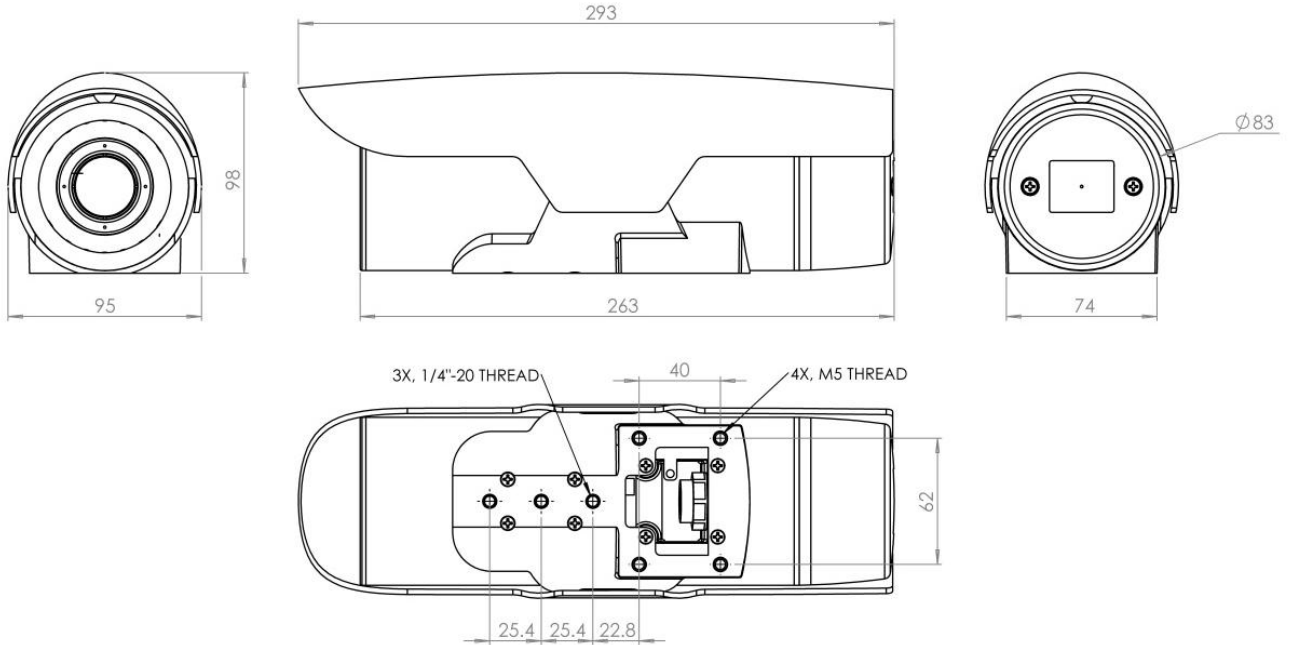
320x240 Resolution					
Model	Standard	FPS	FOV (HxV)	Focal Length	
RTC6500Q-30A06 / RTC6500Q-9A06	QVGA	30 / 9	6.2° x 4.6°	50mm	
RTC6500Q-30A09 / RTC6500Q-9A09	QVGA	30 / 9	9° X 6.7°	35mm	
RTC6500Q-30A16 / RTC6500Q-9A16	QVGA	30 / 9	16° X 12°	19mm	
RTC6500Q-30A24 / RTC6500Q-9A24	QVGA	30 / 9	24° X18°	13mm	
RTC6500Q-30A42 / RTC6500Q-9A42	QVGA	30 / 9	41.8° X 31.4°	7.5mm	
RTC6500Q-30A60 / RTC6500Q-9A60	QVGA	30 / 9	60° X 45°	5.3mm	

640x480 Resolution					
Model	Standard	FPS	FOV (HxV)	Focal Length	
RTC6500V-30A12 / RTC6500V-9A12	VGA	30 / 9	12.4° X 9.3°	50mm	
RTC6500V-30A18 / RTC6500V-9A18	VGA	30 / 9	17.6° X 13.2°	35mm	
RTC6500V-30A25 / RTC6500V-9A25	VGA	30 / 9	24.8° X 18.6°	25mm	
RTC6500V-30A37 / RTC6500V-9A37	VGA	30 / 9	37.5° X 28°	16.7mm	
RTC6500V-30A50 / RTC6500V-9A50	VGA	30 / 9	49.8° X 37°	12.8mm	

RTC6500Q/V Series

Dimensions

(Unit: mm)



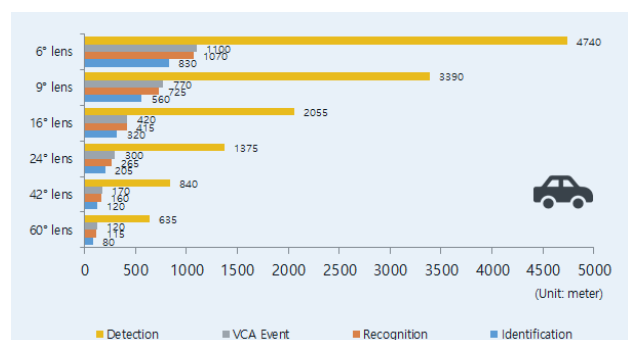
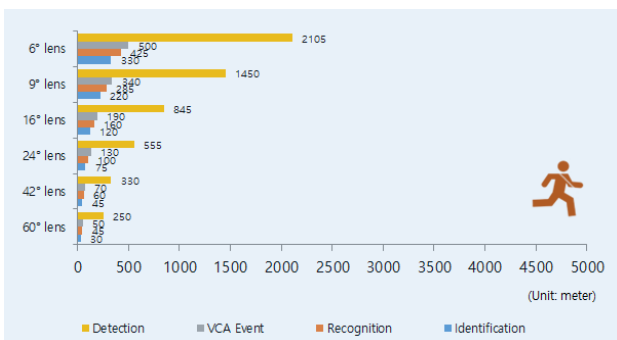
Detection Range

Please Note! Released distance are based on theoretical calculation. In practical application reached distance can diverse depending environment conditions.

Unit: meter					
RTC6500Q					
Lens	Object	Detection	VCA Event	Recognition	Identification
6° - 50mm	Person	2,105	500	425	330
	Vehicle	4,740	1100	1,070	830
9° - 35mm	Person	1,450	340	285	220
	Vehicle	3,390	770	725	560
16° - 19mm	Person	845	190	160	120
	Vehicle	2,055	420	415	320
24° - 13mm	Person	555	130	100	75
	Vehicle	1,375	300	265	205
42° - 7.5mm	Person	330	70	60	45
	Vehicle	840	170	160	120
60° - 5.3mm	Person	250	50	45	30
	Vehicle	635	120	115	80

Person

Vehicle

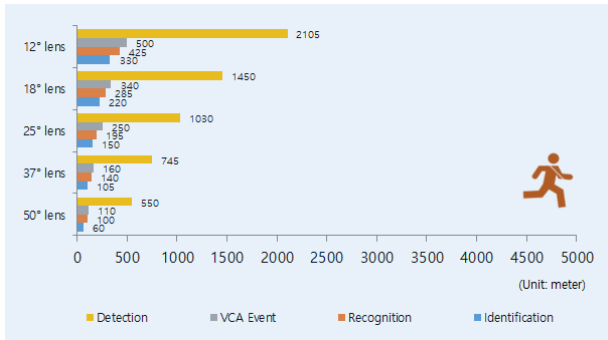


RTC6500Q/V Series

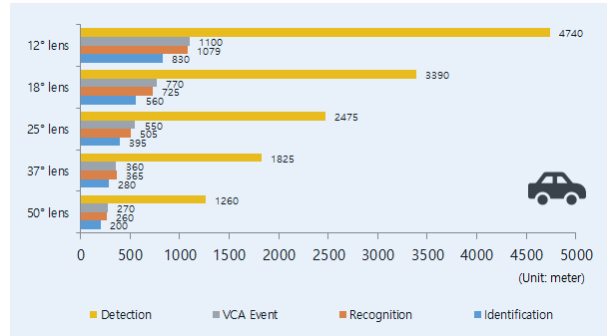


Unit: meter		RTC6500V			
Lens	Object	Detection	VCA Event	Recognition	Identification
12° - 50mm	Person	2,105	500	425	330
	Vehicle	4,740	1,100	1,079	830
18° - 35mm	Person	1,450	340	285	220
	Vehicle	3,390	770	725	560
25° - 25mm	Person	1,030	250	195	150
	Vehicle	2,475	550	505	395
37° - 16.7mm	Person	745	160	140	105
	Vehicle	1,825	360	365	280
50° - 12.8mm	Person	550	110	100	60
	Vehicle	1,260	270	260	200

Person

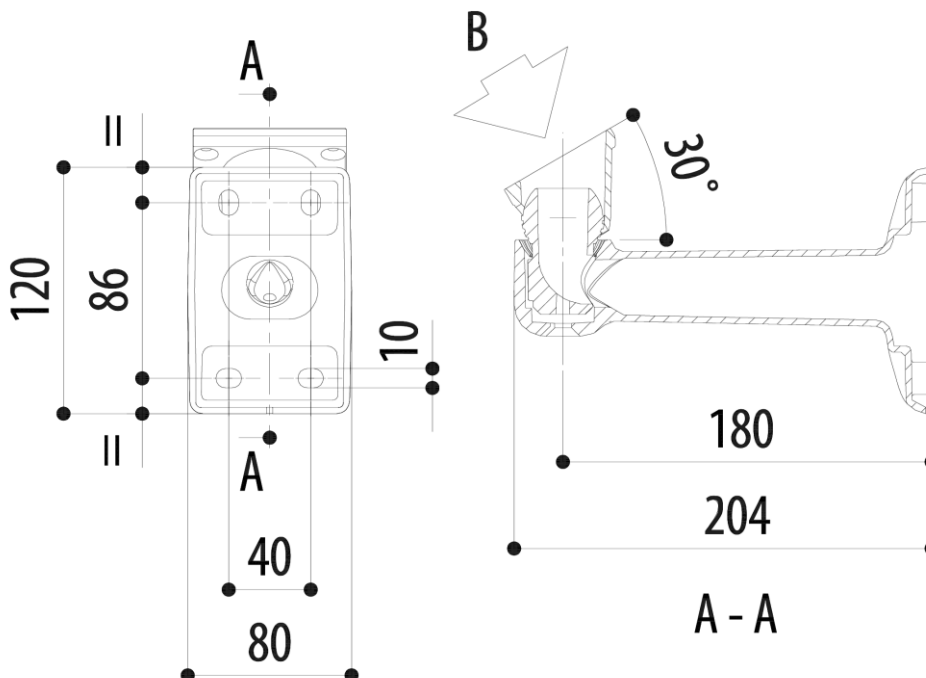


Vehicle



Accessories

(Unit: mm)



Wall Bracket

Model: WBOVA2
Weight: 0.6Kg (1.3lbs)