



PoE Switch with Eight PoE Ports and Gigabit Combo Port

XPS-102T1

PoE Switch with Eight 10/100M Ports and Two Gigabit Ports



Can supply power to network surveillance cameras that without PoE function

8x 10/100 Mbps auto-sensing RJ45 ports

Supports port auto-flip (Auto MDI/ MDIX)

Uplink port: 8.8Gbps LC fiber interface

Maximum PoE power: 130W (all PoE ports, 1 to 8 ports)

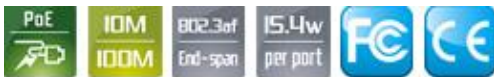
Maximum power per port: 15.4W

Adopts store-and-forward architecture

All ports support wire-speed switching, frame size within the range of 64 to 1536 can achieve wire-speed

Features with fanless, natural cooling, small, compact and quiet design, suitable for desktop or wall

Built-in 1U rack power supply series, easy to place it into standard mounting brackets



Description

This XPS-102T1 switch provides a network point for power supply and data transmission. All the 8 Ethernet ports can be connected with 10/100Mbps quickly, and the uplink port is 8.8Gbps fiber interface, among which 1-8 ports can provide standard IEEE802.3af power supply. Due the advanced self-sensing algorithm supply power for IEEE802.3af terminal unit only, there is no need to worry about damaging proprietary PoE or non-PoE standard equipment. In addition, it will stop power supply when PoE devices are not connected. In short, The XPS-102T1 features simple and reliable design, automatic identification PoE requirements, duplex and high-speed.

This cost-effective XPS-102T1 provide network layout need to simplify wireless access point (AP) and IP-based surveillance cameras network cameras in order to install in commercial network and home network. The devices far away from power socket are very suitable for hanging on the wall or ceiling. PoE eliminates the need for connecting these devices to power socket. So it make more flexible for those difficult to connect with AC power socket, and cut down the installation cost. It is ideal choice for those want to deploy a small commercial network and home network that use wireless access point (AP) and IP-based surveillance cameras.

Product Name

PoE Switch with Eight 10/100M Ports and Gigabit Combo Port

XPcable Group

11F, 51 HENGYANG ROAD, 100 TAIPEI, TAIWAN, R.O.C.

info@xpcable.com



PoE Switch with Eight PoE Ports and Gigabit Combo Port

Product Model	XPS-102T1
Connector	8x 10/100M copper cable RJ45 PoE ports(all ports support MDI/MDIX) 1x gigabit optical multiplexing port, 1x optical port
Transfer Mode	Store-And-Forward
Network Medium	10BASE-T: Cat3/4/5 UTP(≤100 meter) 100BASE-TX: Cat5 or more UTP(≤100 meter) Single mode(9/125um) optical transmission, transmission distance: 25km(double optical default, single optical alternative)
Performance Specifications	Bandwidth: 8.8Gbps (non-blocking) Network Latency (100 to 100M bps): maximum delay less than 20 microseconds Packet Buffer Memory: 2.75M Address Database Size: 4K MTBF: 100,000 hours
Network Protocols and Standards	IEEE 802.3i 10BASET; IEEE 802.3u 100BASETX; IEEE 802.3x Flow Control; IEEE 802.3af DTE Power via MDI; IEEE 802.3af
LEDs Status	System: power supply; Every Port: connecting, PoE working status
Power	Maximum PoE switch power:130 W PoE port power:15.4 W(1~8 port) Power input: AC100-240V 50/60Hz; (every country use a custom power plug)
Dimensions/Weight	Dimensions: 279x210x44mm Weight: 1.61kg
Working Environment	Operating Temperature:-20 ° ~ 55 ° C; Storage Temperature: -20 ° ~ 75 ° C; Humidity: 10% ~ 90%, non-condensing; Storage Humidity: 10% ~ 95%, non-condensing; Working Altitude: 3000 m (10,000 ft); Storage Altitude: 3,000 m (10,000 ft)
Radiation	CE mark, commercial FCC Part 15 Class B VCCI Class B EN 55022 (CISPR 22), Class B
Safety	CE Mark ,commercial CE/LVD EN60950
Warranty	1 year warranty(2 years for power adapter)

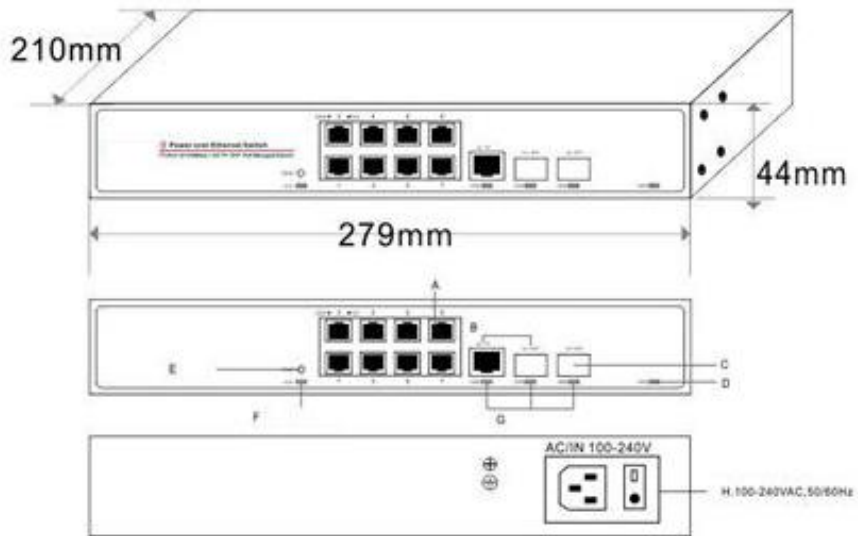
Technical Specification

XPcable Group

11F, 51 HENGYANG ROAD, 100 TAIPEI, TAIWAN, R.O.C.

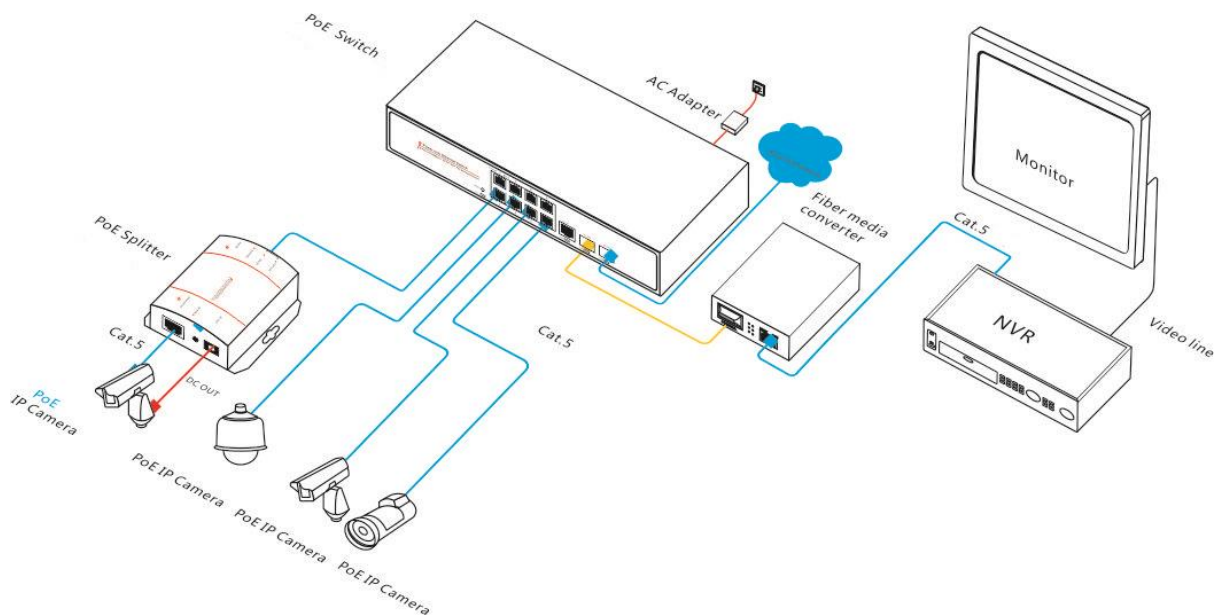
info@xpcable.com

Dimension



- | | |
|---|---------------------------|
| A. PoE Power Port | E. Reset |
| B. Uplink Gigabit Optical Multiplexing Port | F. System Indicator Light |
| C. Uplink Gigabit SFP Optical Port | G. Link Indicator Light |
| D. Power Indicator Light | H. 100-240V AC, 50/60Hz |

Application



Product Ordering Information

XPcable Group

11F, 51 HENGYANG ROAD, 100 TAIPEI, TAIWAN, R.O.C.

info@xpcable.com



PoE Switch with Eight PoE Ports and Gigabit Combo Port

Product Model: XPS-102T1

Product Description: Eight 10/100M ports + 1x gigabit electrical optical combo port+ 1x gigabit optical port PoE switch, and 1-8 ports supports POE / IEEE 802.3af international standard, each port power is 15.4W, whole power is 130W

Ordering Notes: PoE default power supply is end-span (1/2, 3/6 line pair), alternative PoE Power supply is mid-span(4/5, 7/8 line pair)

Packing List

Packing List	PoE Switch with Eight 10/100M PoE Ports and Gigabit Combo Port XPS-102T1
	Power Cable
	User Guide
	Warranty Card