

2MP Vandal-resistant IR Fixed Mini Dome Camera

IPC312SR-VPF28 (40)-C



Key Features

Optics

- Day/night functionality
- Smart IR, up to 15 m (49 ft) IR distance
- 3D DNR (Digital Noise Reduction)
- Car-grade LEDs, brighter and uniform light compensation

Compression

- H.265, H.264, MJPEG
- Embedded smart algorithm
- Triple streams
- ROI (Region of Interest)
- Customized OSD

Network

- ONVIF Conformance

Structure

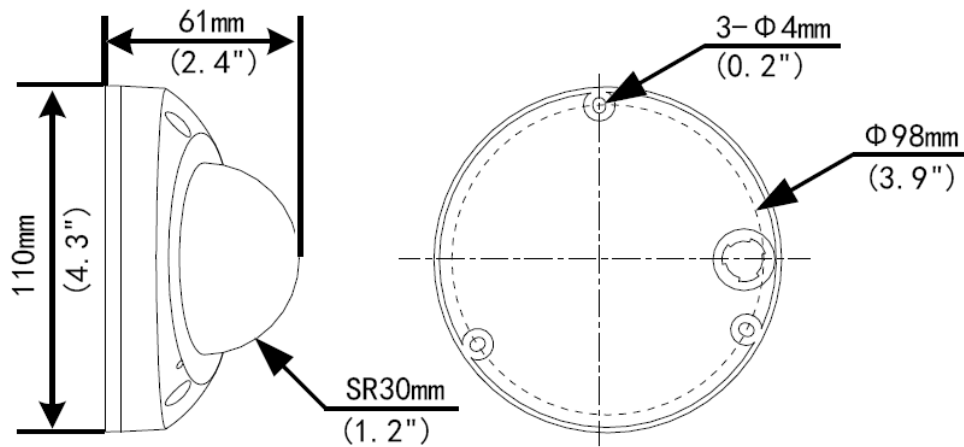
- Wide temperature range: -35°C to 60°C (-31°F to 140°F)
- Wide voltage range of $\pm 25\%$
- Built-in microphone
- IK10 vandal resistant
- IP67

Specifications

Camera	IPC312SR-VPF28-C	IPC312SR-VPF40-C
Sensor	1/2.9", 2 megapixel, progressive scan CMOS	
Lens	2.8mm@F2.0	4.0 mm@F2.0
Angle of View (H)	105.2°	83.7°
Shutter	Auto/Manual, 1/6~1/100000 s	
Min. Illumination	Colour: 0.02 Lux (F2.0, AGC ON) 0 Lux with IR	
Day/Night	IR-cut filter with auto switch (ICR)	
S/N	≥ 52dB	
Video		
Max. Resolution	1920 × 1080	
Video Compression	H.265, H.264, MJPEG	
Frame Rate	1080P (1920*1080): Max. 30 fps; 720P (1280*720): Max. 30 fps; D1 (720×576): Max. 8 fps	
Video Streaming	Triple	
9:16 Corridor Mode	Supported	
ROI	Supported	
HLC	Supported	
Evaluative Metering	Supported	
OSD	Up to 8 OSDs	
Privacy Mask	Up to 8 areas	
Smart		
Behavior Detection	Intrusion, crossing line, motion detection	
Exception Detection	Audio detection	
Intelligent Identification	Face detection, Defocus, Scene Change	
Statistical Analysis	People counting	
Audio		
Audio Compression	G.711	
Storage		
Edge Storage	Micro SD, Up to 128 GB	
Network		
Protocols	L2TP, IPv4, IGMP, ICMP, ARP, TCP, UDP, DHCP, PPPoE, RTP, RTSP, RTCP, DNS, DDNS, NTP, FTP, UPnP, HTTP, HTTPS, SMTP, 802.1x	
Compatible Integration	ONVIF, API	
Interface		
Audio I/O	audio cable	
	Input: impedance 35 kΩ; amplitude 2 V [p-p]	
	Output: impedance 600 Ω; amplitude 2 V [p-p]	
Built-in Mic	Supported	
Network	10M/100M Base-TX Ethernet	
General		
Power	12 V DC ± 25%, PoE (IEEE 802.3af)	

	Power consumption: max 5W
Dimensions (∅ x H)	∅110 x 61 mm (∅4.3" x 2.4")
Weight	0.25 kg (0.55 lb)
Working Environment	-35°C ~ +60°C (-31°F ~ 140°F), Humidity ≤ 95% RH(non-condensing)
Ingress Protection	IP67
Vandal Resistant	IK10

Dimensions



Accessories

Installation mode	Accessories	Description
Ceiling mount	Mounting pedestal is included in the Product package	TR-JB03-D-IN junction box and TR-A01-IN waterproof joint for the junction is optional

Zhejiang Uniview Technologies Co., Ltd.

South Tower, Building 10, Wanlun Science Park, 88 Jiangling Road, Hangzhou, P.R.China 310051

Email: overseasbusiness@uniview.com; globalsupport@uniview.com

<http://www.uniview.com>

©2017 Zhejiang Uniview Technologies Co., Ltd. All rights reserved.

*Product specifications and availability are subject to change without notice.