

Network Video Recorder

NVR201L Series



Key Features

4/8-channel input

Third-party IP cameras supported with ONVIF conformance

HDMI and VGA output up to 1080P

Up to 4 Megapixels resolution recording

Accurate retrieval, instant playback

1 SATA HDD up to 6 TB

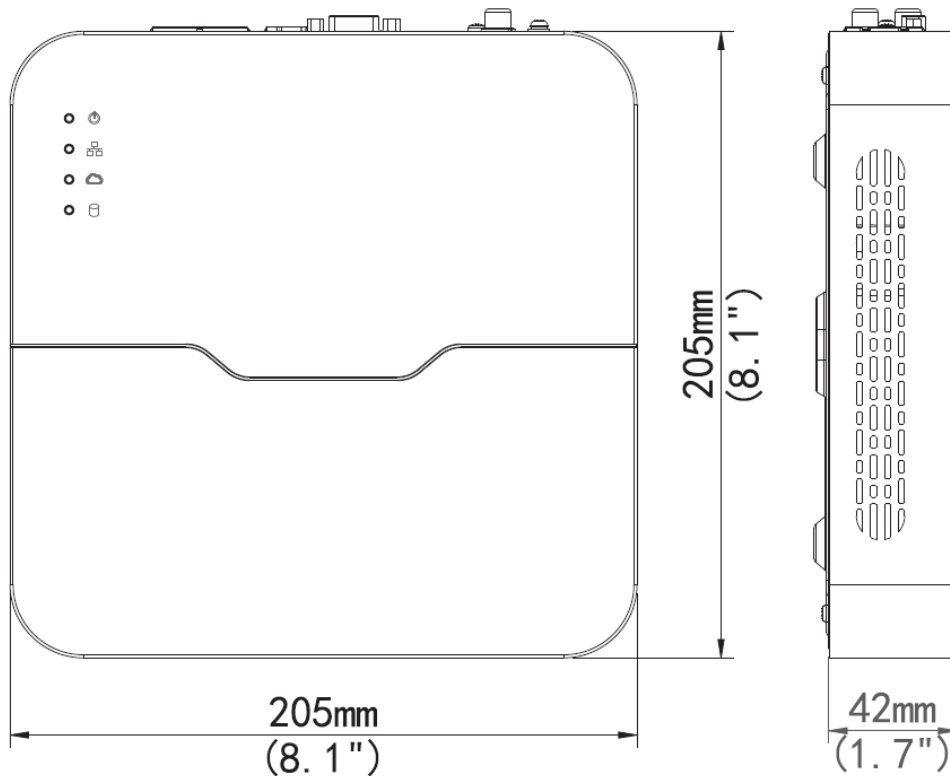
Support for P2P, UPnP, NTP, DHCP, PPPoE

Support for mobile client access

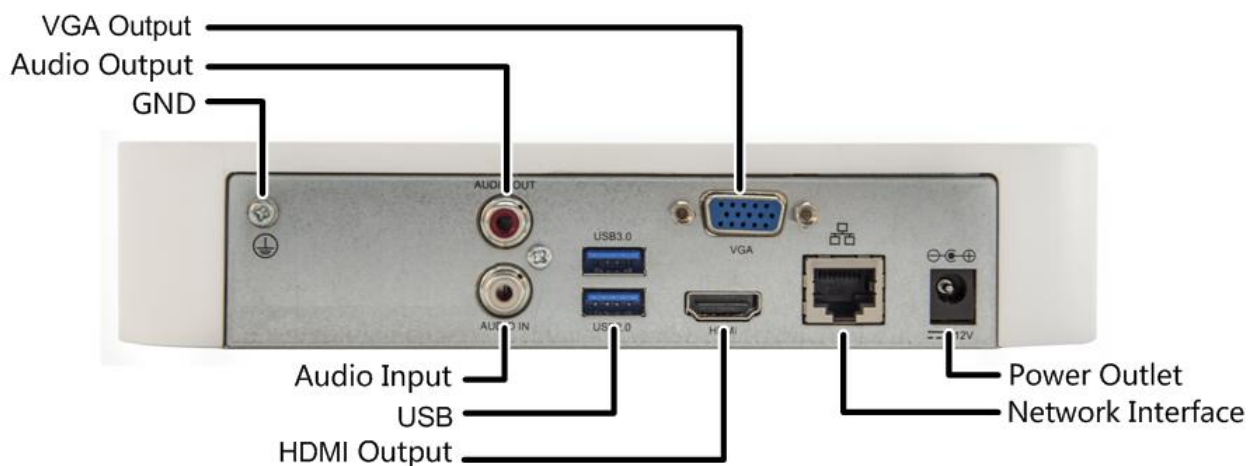
Specifications

Model	NVR201-04L	NVR201-08L
Video/Audio Input		
IP Video Input	4-ch	8-ch
Two-way Audio Input	1-ch, RCA	
Network		
Incoming Bandwidth	40Mbps	80Mbps
Outgoing Bandwidth	64Mbps	
Remote Users	128	
Video/Audio Output		
HDMI/VGA Output	HDMI/VGA: 1920x1080p/60Hz, 1920x1080p/50Hz, 1600x1200/60Hz, 1280x1024/60Hz, 1280x720/60Hz, 1024x768/60Hz	
Recording Resolution	4MP/3MP/1080p/960p/720p/D1/2CIF/CIF	
Audio Output	1-ch, RCA	
Synchronous Playback	4-ch	8-ch
Decoding		
Compression	H.264	
Live view/Playback	4MP/3MP/1080p/960p/720p/D1/2CIF/CIF	
Capability	2 x 4MP@20, 4 x 1080P@30	2 x 4MP@20, 4 x 1080P@25, 8 x 720P@25
Hard Disk		
SATA	1 SATA interface	
Capacity	up to 6TB for each disk	
External Interface		
Network Interface	1 RJ-45 10M/100M Self-adaptive Ethernet Interface	
USB Interface	Rear panel: 1 x USB2.0, 1 x USB3.0	
General		
Power Supply	12V DC	
Consumption (without HDD)	≤ 8 W	
Working Temperature	-10°C ~ +55°C (+14°F ~ +131°F)	
Working Humidity	10% ~ 90%	
Dimensions	205 × 205 × 42mm (8.1" × 8.1" × 1.7")	
Weight (without HDD)	≤ 0.52 Kg (1.14lb)	

Dimensions



Rear Panel



Zhejiang Uniview Technologies Co., Ltd.

Building No.10, Wanlun Science Park, Jiangling Road 88, Binjiang District, Hangzhou, Zhejiang, China

Email: overseasbusiness@uniview.com; globalsupport@uniview.com

<http://www.uniview.com>

©2011-2017 Zhejiang Uniview Technologies Co.,Ltd. All rights reserved.

*Product specifications and availability are subject to change without notice.