

Network Video Recorder

NVR302-08S



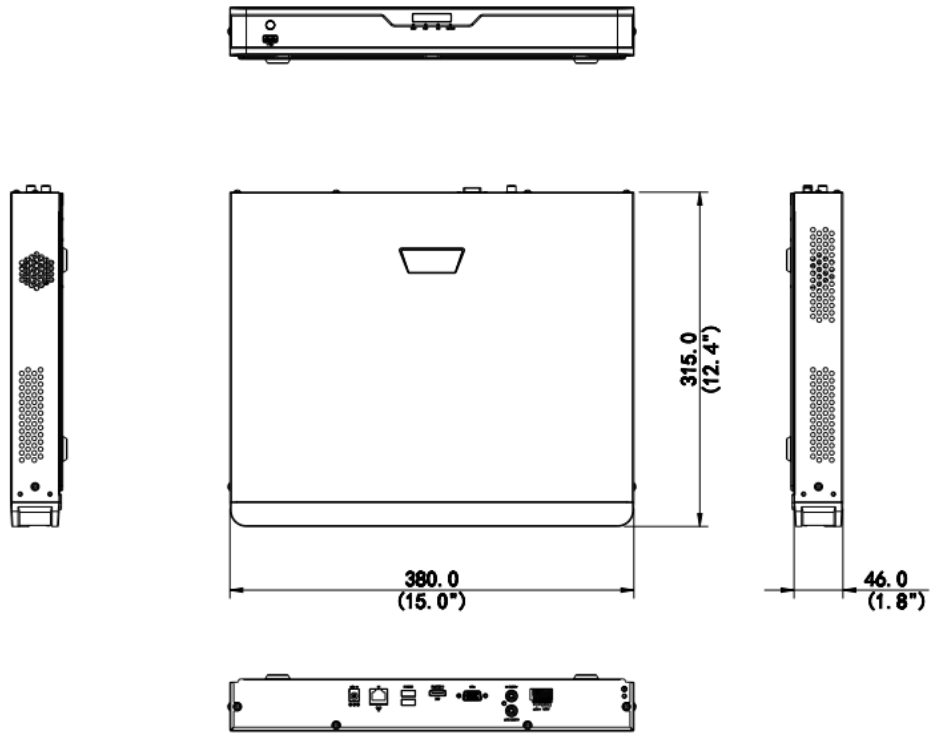
Key Features

- 8-channel input
- Third-party IP cameras supported with ONVIF conformance
- Support 1-ch HDMI, 1-ch VGA, HDMI at up to 4K(3840x2160) resolution
- Up to 8 Megapixels resolution recording
- Support H.265/H.264 video formats
- Accurate retrieval, instant playback
- Up to 8TB for each disk
- Support for P2P, UPnP, NTP, DHCP, PPPoE
- Support for mobile client access

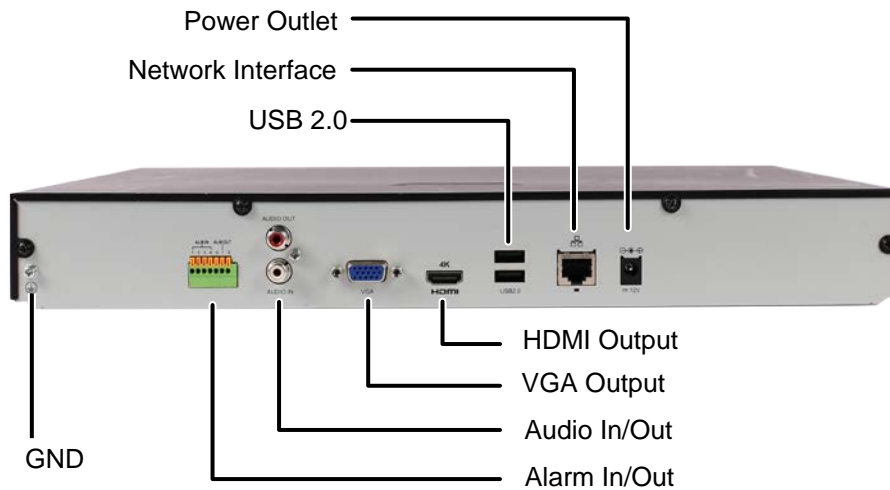
Specifications

| NVR302-08S | |
|-----------------------------|-----------------------------------------------------------------------------------------------------------------------------------------------------------------------------------------------------------------------------------------------------|
| Video/Audio Input | |
| IP Video Input | 8-ch |
| Two-way Audio Input | 1-ch, RCA |
| Network | |
| Incoming bandwidth | 48Mbps |
| Outgoing bandwidth | 48Mbps |
| Remote Users | 128 |
| Video/Audio Output | |
| HDMI/VGA Output | HDMI: 4K (3840x2160) /30Hz, 1920x1080p /60Hz, 1920x1080p /50Hz, 1600x1200 /60Hz, 1280x1024 /60Hz, 1280x720 /60Hz, 1024x768 /60Hz VGA: 1920x1080p /60Hz, 1920x1080p /50Hz, 1600x1200 /60Hz, 1280x1024 /60Hz, 1280x720 /60Hz, 1024x768 /60Hz |
| Audio Output | 1-ch, RCA |
| Recording Resolution | 8MP/6MP/5MP/4MP/3MP/1080p/960p/720p/D1/2CIF/CIF |
| Synchronous Playback | 8-ch |
| Decoding | |
| Compression | H.265/H.264 |
| Live view/ Playback | 8MP/6MP/5MP/4MP/3MP/1080p/960p/720p/D1/2CIF/CIF |
| Capability | 1 x 4K@30, 1 x 6MP@30, 1 x 5MP@30, 2 x 4MP@30, 4 x 1080p@30, 8 x 720p@30 |
| Hard Disk | |
| SATA | 2 SATA interface |
| Capacity | up to 8TB for each disk |
| External Interface | |
| Network Interface | 1 RJ-45 10M/100M self-adaptive Ethernet Interface |
| USB Interface | Rear panel: 2 x USB2.0, Front panel: 1 x USB2.0 |
| Alarm In | 4-ch |
| Alarm Out | 1-ch |
| General | |
| Power Supply | 12V DC |
| Consumption (without HDD) | ≤ 5 W |
| Working Temperature | -10°C ~ + 55°C (+14°F ~ +131°F) |
| Working Humidity | 10% ~ 90% |
| Dimensions | 46mm × 315mm × 380mm (1.8" × 12.4" × 15.0") |
| Weight (without HDD) | ≤ 2.18 Kg (4.81 lb) |

Dimensions



Rear Panel



Zhejiang Uniview Technologies Co., Ltd.

Building No.10, Wanlun Science Park, Jiangling Road 88, Binjiang District, Hangzhou, Zhejiang, China

Email: overseasbusiness@uniview.com; globalsupport@uniview.com

<http://www.uniview.com>

©2017 Zhejiang Uniview Technologies Co.,Ltd. All rights reserved.

*Product specifications and availability are subject to change without notice.