



AVM332



HD 720P



Solid Light



External I/O



PoE



Line in / out



Vari-focal
Lens



MicroSD
Card
Recording



IK08



Mobile
Surveillance

MARS
ETS



1.3MP IR Dome IP Camera

FEATURES

- Equipped with a vari-focal lens of **f2.8 ~ 12 mm**, suitable for various monitoring environments
- MicroSD card support (up to 64GB) for **video storage**
- **External alarm I/O device** connection



- **POE (Power-over-Ethernet)** support to eliminate the use of power cables and reduce installation costs
- **ONVIF** (**ONVIFS**) standard supported to simplify system integration
- **Solid Light** series featuring better overexposure prevention (Advanced Smart Light Control), automatic adjustment of image brightness, and longer lifetime of LEDs



- **IK08** rated, vandal-resistant case to withstand attempts to open or damage the camera
- **Line in / out** jacks available for audio transmission
- **Remote Surveillance**
 - **Fully compatible** with **iOS** and **Android** devices, and **Internet Explorer** on Windows operating system
 - **Push Video** available on your iOS and Android devices when used with Push Video NVR series.



SPECIFICATIONS

■ Network	
LAN Port	YES
LAN Speed	10/100 Based-T Ethernet
Supported Protocols	DDNS, PPPoE, DHCP, NTP, SNTP, TCP/IP, ICMP, SMTP, FTP, HTTP, RTP, RTSP, RTCP, IPv4, Bonjour, UPnP, DNS, UDP, IGMP, QoS, SNMP
ONVIF Compatible	YES (Profile S)
Number of Online Users	10
Security	(1) Multiple user access levels with password (2) IP address filtering (3) Digest authentication
Remote Access	(1) Internet Explorer on Windows operating system (2) 16CH Video Viewer on Windows & MAC operating system (3) EagleEyes on iPhone, iPad & Android mobile devices
■ Video	
Network Compression	H.264 / MPEG4 / MJPEG
Video Resolution	1280 x 1024 / 1280 x 720 / 640 x 480 / 320 x 240
Frame Rate	30fps
Multiple Video Streaming	4 (H.264, MJPEG, MPEG4)
■ General	
Image Sensor	1/3" SONY CMOS image sensor
Min Illumination	1 Lux / F1.4~2.8, 0 Lux (IR LED ON)
Shutter Speed	1/2 to 1/10,000 sec
S/N Ratio	More than 48dB (AGC off)
Lens	f2.8 ~ 12mm / F1.4 ~ F2.8
Viewing Angle	Wide: 92° (Horizontal) / 73.6° (Vertical) / 124° (Diagonal) Tele: 28° (Horizontal) / 22.4° (Vertical) / 35.9° (Diagonal)
IR LED	2 Units
IR Effective Distance**	Default: up to 20 meters IR Enhanced Mode: up to 30 meters
IR Shift	YES
White Balance	ATW
AGC	Auto
IRIS Mode	AES
POE	YES (IEEE 802.3af)
External Alarm I/O	YES (1 input / 1 output)
MicroSD Card Slot	YES (up to 64GB)
IP Rating	IP66
Vandal-proof	IK08
Operating Temperature	-20°C~40°C
Power Source (±10%)	DC12V / 1A
Current Consumption (±10%)	253mA (IR OFF) / 457mA (IR ON)
Power Consumption (±10%)	6.5W Max (PoE) ; 6.5W Max (PoN) ; 5.5W (DC Adapter)



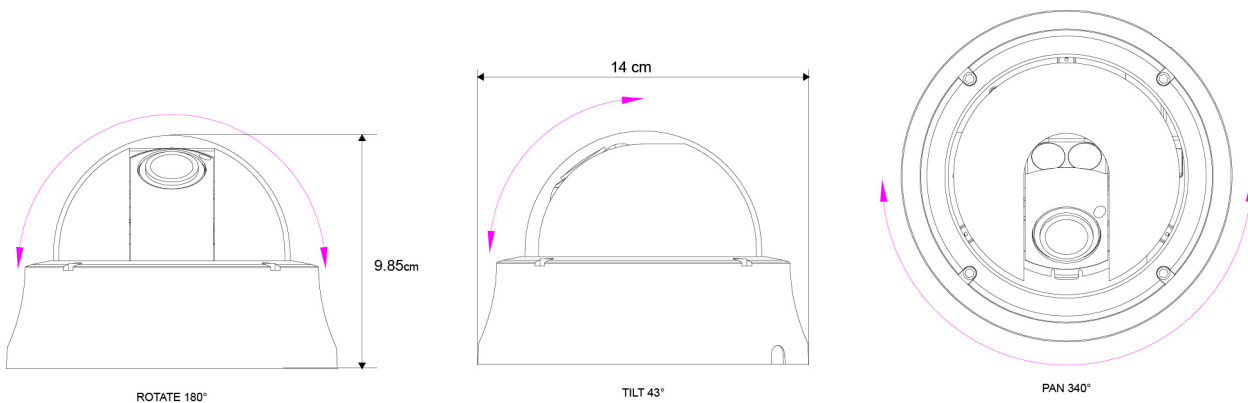
● SPECIFICATIONS (CONTINUED)

■ Audio	
Line in	YES
Line out	YES
■ Others	
Mobile Surveillance	iOS & Android mobile devices
Motion Detection	YES
Event Notification	FTP / Email / SMS
RTC (real-time clock)	YES
Digital Pan / Tilt / Zoom	YES
Minimum Web Browsing Requirements	<ul style="list-style-type: none"> • Intel core i3 or higher, or equivalent AMD • 2GB RAM • AGP graphics card, Direct Draw, 32MB RAM • Windows 8, Windows 7, Windows Vista & Windows XP, DirectX 9.0 or later • Internet Explorer 7.x or later

*The specifications are subject to change without notice.

** Using IR enhanced mode and slow shutter speed, the distance can be extended even longer.

DIMENSIONS



Dimensional tolerance: ± 5mm