

## N-Series Superior Night Vision 2 Megapixel Vandal Dome Network Camera

### VD-200N Series

HDTV 1080p/720p • 2M/1.3M Resolution Supported

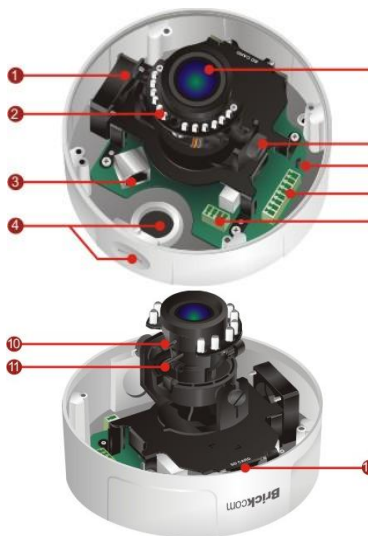


- N-Series Sony Exmor™ 2M Vandal Dome Camera
- **SmartFocus®** to Ease the Zoom and Focus Adjustment Remotely (\*)  
\*The feature is for VD-200Np/VD-200NpV5\*
- **FocusEasy™** to Ease the Focus Adjustment via the Buzzer for notification (\*)  
\*The feature is for VD-202NpV5\*
- Support HDTV Video Quality (Full HD 1080p @ 30fps Streaming)
- Motorized Lens /Vari-Focal Lens for Variable Needs
- Brickcom **WDR Enhancement®** technology inside
- MPEG-4, MJPEG and H.264 Triple Codec Compression
- **Intelligent Multi-Profile Sensor Management®** for Different Environments
- Removable IR-cut Filter /Auto Light Sensor for Day and Night
- 1 DI/DO for External Alarm and Sensor Device
- 3 Axis design
- TV out
- Two-way Audio/Built-in SD/SDHC Memory Card Slot for Local Storage
- IK10 Vandal Proof and IP67 Weather Proof Outdoor Enclosure
- Power over Ethernet/DC12V/AC 24V support



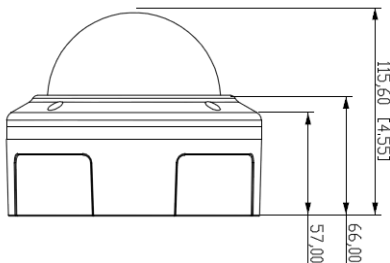
### Photo Indication & Dimension Diagram

#### VD-200Np/VD-202Np

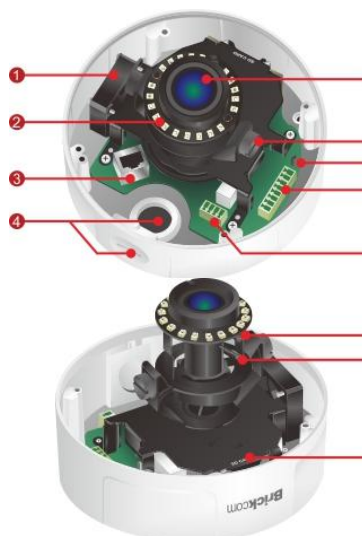


- 1 Fan (\*)
- 2 LEDs
- 3 RJ45 Connector  
(For Ethernet and 802.3 at PoE Plus)
- 4 Conduit Plug and Hole
- 5 LENS
- 6 Tilt Screw
- 7 Reset Button
- 8 Terminal Block  
(For Audio in/out, DIDO)
- 9 Terminal Block (For DC12V 1A)
- 10 Focus Control Bar (\*)
- 11 View Angel Control Bar (\*)
- 12 SD Card Slot

\* These are optional features \*

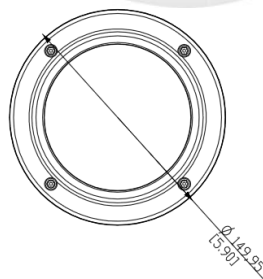


#### VD-200Np V5/VD-202Np V5



- 1 Fan (\*)
- 2 LEDs
- 3 RJ45 Connector  
(For Ethernet and 802.3 at PoE Plus)
- 4 Conduit Plug and Hole
- 5 LENS
- 6 Tilt Screw
- 7 Reset Button/FocusEasy Button
- 8 Terminal Block  
(For Audio in/out, DIDO)
- 9 Terminal Block (For DC12V / AC24V)
- 10 Focus Control Bar (\*)
- 11 View Angel Control Bar (\*)
- 12 SD Card Slot

\* These are optional features \*



## Camera

<b>Models</b>	<b>VD-200Np/ VD-200Np V5</b> 2M, Motorized Lens, Smart Focus <b>VD-202Np</b> 2M, Vari-Focal Lens <b>VD-202Np V5</b> 2M, Vari-Focal Lens, FocusEasy
<b>Hardware System</b>	CPU: 533 MHz Flash: 32M RAM: 256M DDR
<b>Image Sensor</b>	Sensor Type : 1/2.8" Sony Exmor™ CMOS Sensor Sensor Resolution : 2048x1536 pixel
<b>Minimum Illumination</b>	<b>VD-200Np/ VD-200Np V5/ VD-202Np V5</b> 0 lux (IR ON, B/W) 0.008 lux (IR OFF, B/W) 0.01 lux (F1.4, Color) <b>VD-202Np</b> 0 lux (IR ON, B/W) 0.02 lux (IR OFF, B/W) 0.01 lux (F1.4, Color)
<b>IR Illuminators</b>	<b>VD-200Np/ VD-202Np</b> Built -in IR Illuminators, effective up to 15 meters IR LED: 12pcs IR wavelength: 850nm <b>VD-200Np V5/ VD-202Np V5</b> Built -in IR Illuminators, effective up to 25 meters IR LED: 20pcs IR wavelength: 850nm
<b>Lens</b>	Lens Type: Board Lens F No.: 1.4 Focal Length: <b>VD-200Np/VD-200Np V5/VD-202Np V5</b> f= 3mm(W)~10.5mm(T) <b>VD-202Np</b> f= 3.3mm(W)~10.5mm(T) View Angle: <b>VD-200Np/VD-200Np V5/VD-202Np V5</b> (H): 90°~30°/ (V): 49°~17°/ (D):103°~34° <b>VD-202Np</b> (H): 72°~28°/ (V): 40°~16°/ (D):83°~32°
<b>Day &amp; Night ICR</b>	Triggered by Light sensor, Scheduling, Digital Input
<b>Local Storage</b>	Built-in SD/SDHC/SDXC Max.64G Memory Card Slot

## Video

<b>Compression Streaming</b>	H.264 / MPEG4 / MJPEG Simultaneous multiple streams
<b>Video Setting</b>	Multi-Profile Image Management: Day/ Night/ Sunset/ User 1/ User 2 Auto Exposure Control Manual Exposure Control: 1/10000~1/5s Manual Gain Control: 1X ~ 32X Manual White Balance Control: 2000K~7000K
<b>S/N Ratio</b>	>50 dB
<b>Image Resolution</b>	<b>2M (Full HD):</b> 1920x1080 @ 30fps <b>1.3M:</b> 1280x1024@25fps

## Events and Alarm Management

<b>Events</b>	Motion Detection/ Schedule/ Audio Detection/ Digital Input/ Temperature Alarm(*)/ Auto Focus Shift for Day & Night(**) *VD-200Np V5 and VD-202Np V5 only **VD-200Np V5 Only
<b>Alarm</b>	Stream/Snapshot to FTP/Email/Samba/SD-Card HTTP/Email Notification/ Digital Output

## Audio

<b>Audio Streaming</b>	2-way Audio Support
<b>Audio Compression</b>	G.711, AMR (8 kHz, Mono, PCM)
<b>Audio Input/ Output</b>	Line In/ Out
<b>General</b>	
<b>Communication</b>	Ethernet : one 10/100Mbps RJ-45 Supported Protocols : TCP/IP, UDP, ICMP, DHCP, NTP, DNS, DDNS, SMTP, FTP, HTTP, Samba, PPPoE, UPnP, RTP, RTSP, RTCP, IPv6
<b>Power Input/ Operating Temperature</b>	<b>VD-200Np/VD-202Np</b> 802.3 af POE/ DC12V 1A -20°C ~ 60°C (-4°F ~140°F) 802.3at PoE Plus(build in fan and heater): -40°C ~ 60°C (-40°F ~140°F)  <b>VD-200Np V5/VD-202Np V5</b> 802.3 af POE/ DC12V 1A /AC 24V: -20°C ~ 60°C (-4°F ~140°F) 802.3at PoE Plus(build in fan and heater): -40°C ~ 60°C (-40°F ~140°F)
<b>Max. Power Consumption</b>	DC12V 1A <b>VD-200Np:</b> 10 Watts / <b>VD-202Np:</b> 8 Watts  DC12V 1A/AC 24V <b>VD-202Np V5:</b> 10.5 Watts  DC12V 1.5A/AC 24V <b>VD-200Np V5:</b> 12.5 Watts  802.3 af POE <b>VD-200Np:</b> 12.5 Watts/ <b>VD-200Np V5:</b> 15 Watts <b>VD-202Np:</b> 10 Watts/ <b>VD-202Np V5:</b> 12.5 Watts  802.3at PoE Plus <b>VD-200Np:</b> 25 Watts/ <b>VD-200Np V5:</b> 27.5 Watts <b>VD-202Np:</b> 23 Watts/ <b>VD-202Np V5:</b> 25 Watts
<b>Environment</b>	Water Proof: IP67 Operating Humidity : 10% ~ 80%
<b>Dimension</b>	113.75 (D) mm X 144.25(H) mm
<b>Weight</b>	860g/1.90lb
<b>Housing</b>	Weather-proof (IP67) Vandal-proof (IK10)
<b>Certification</b>	FCC, CE, IK10
<b>Viewing System Requirements</b>	OS: Microsoft Windows 8/7/Vista/XP/2000 Browser: Mozilla Firefox, Internet Explorer 7/8 or above, Safari, Google Chrome Cell Phone: 3GPP player Real Player: 10.5 or above Quick Time: 6.6 or above VLC
<b>Warranty</b>	Limited 2-year warranty

## Work Best With

### Camera Accessories Options



**L-WM-01**  
Camera Bracket



**POE30U \***  
High Power PoE Injector

### Network Equipment Options



**PS-588I**  
8-port 10/100M PoE Fast Ethernet Switch



**PS-7242IL-AF**  
24-port 10/100M PoE Web Smart Ethernet Switch