

N-Series Superior Night Vision 3 Megapixel Vandal Dome Network Camera

VD-300N Series

HDTV 1080p/720p • 3M/2M/1.3M Resolution Supported

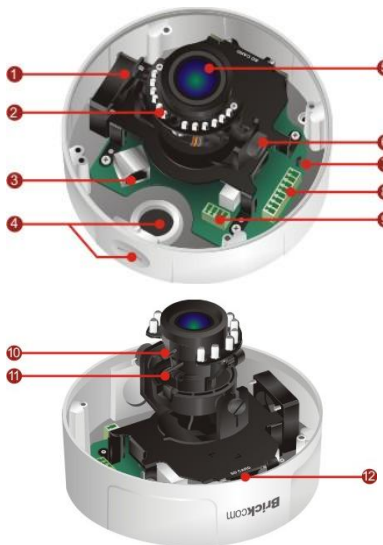


- N-Series Sony Exmor™ 3M Vandal Dome Camera
- **SmartFocus®** to Ease the Zoom and Focus Adjustment Remotely (*)
The feature is for VD-300Np/VD-300NpV5
- **FocusEasy™** to Ease the Focus Adjustment via the Buzzer for notification (*)
The feature is for VD-302NpV5
- Support HDTV Video Quality (Full HD 1080p @ 30fps Streaming)
- Motorized Lens /Vari-Focal Lens for Variable Needs
- Brickcom **WDR Enhancement®** technology inside
- MPEG-4, MJPEG and H.264 Triple Codec Compression
- **Intelligent Multi-Profile Sensor Management®** for Different Environments
- Removable IR-cut Filter /Auto Light Sensor for Day and Night
- 1 DI/DO for External Alarm and Sensor Device
- 3 Axis design
- TV out
- Two-way Audio/Built-in SD/SDHC Memory Card Slot for Local Storage
- IK10 Vandal Proof and IP67 Weather Proof Outdoor Enclosure
- Power over Ethernet/DC 12V/AC 24V support



Photo Indication & Dimension Diagram

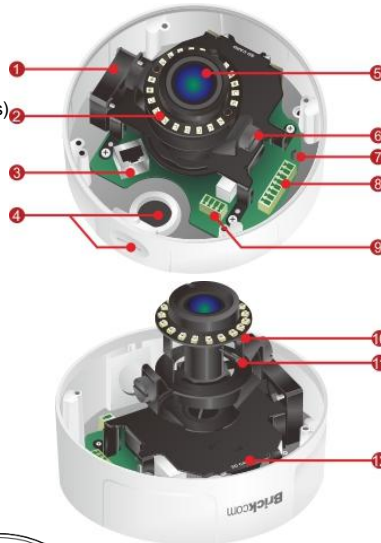
VD-300Np/VD-302Np



- 1 Fan (*)
- 2 LEDs
- 3 RJ45 Connector
(For Ethernet and 802.3 at PoE Plus)
- 4 Conduit Plug and Hole
- 5 LENS
- 6 Tilt Screw
- 7 Reset Button
- 8 Terminal Block
(For Audio in/out, DIDO)
- 9 Terminal Block (For DC12V 1A)
- 10 Focus Control Bar (*)
- 11 View Angel Control Bar (*)
- 12 SD Card Slot

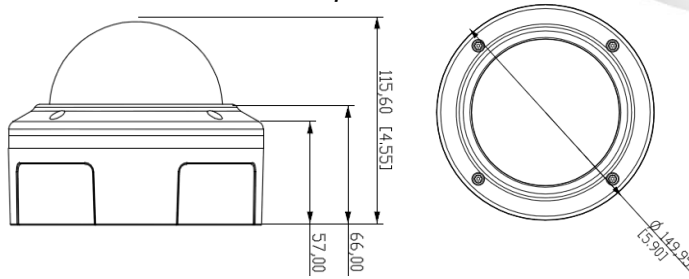
* These are optional features *

VD-300Np V5/VD-302Np V5



- 1 Fan (*)
- 2 LEDs
- 3 RJ45 Connector
(For Ethernet and 802.3 at PoE Plus)
- 4 Conduit Plug and Hole
- 5 LENS
- 6 Tilt Screw
- 7 Reset Button/FocusEasy Button
- 8 Terminal Block
(For Audio in/out, DIDO)
- 9 Terminal Block (For DC12V / AC24V)
- 10 Focus Control Bar (*)
- 11 View Angel Control Bar (*)
- 12 SD Card Slot

* These are optional features *



Camera		Audio	
Models	VD-300Np/ VD-300Np V5 3M, Motorized Lens, Smart Focus VD-302Np 3M, Vari-Focal Lens VD-302Np V5 3M, Vari-Focal Lens, FocusEasy	Audio Streaming	2-way Audio Support
Hardware System	CPU: 533 MHz Flash: 32M RAM: 256M DDR	Audio Compression	G.711, AMR (8 kHz, Mono, PCM)
Image Sensor	Sensor Type : 1/2.8" Sony Exmor™ CMOS Sensor Sensor Resolution : 2048x1536 pixel	Audio Input/ Output	Line In/ Out
Minimum Illumination	VD-300Np/ VD-300Np V5/ VD-302Np V5 0 lux (IR ON, B/W) 0.008 lux (IR OFF, B/W) 0.01 lux (F1.4, Color) VD-302Np 0 lux (IR ON, B/W) 0.01 lux (IR OFF, B/W) 0.02 lux (F1.4, Color)	General	
IR Illuminators	VD-300Np/ VD-302Np Built -in IR Illuminators, effective up to 15 meters IR LED: 12pcs IR wavelength: 850nm VD-300Np V5/ VD-302Np V5 Built -in IR Illuminators, effective up to 25 meters IR LED: 20pcs IR wavelength: 850nm	Communication	Ethernet : one 10/100Mbps RJ-45 Supported Protocols : TCP/IP, UDP, ICMP, DHCP, NTP, DNS, DDNS, SMTP, FTP, HTTP, Samba, PPPoE, UPnP, RTP, RTSP, RTCP, IPv6
Lens	Lens Type: Board Lens F No.: 1.4 Focal Length: VD-300Np/VD-300Np V5/VD-302Np V5 f= 3mm(W)~10.5mm(T) VD-302Np f= 3.3mm(W)~10.5mm(T) View Angle: VD-300Np/VD-300Np V5/VD-302Np V5 (H): 98°~32°/ (V): 72°~24°/ (D):128°~40° VD-302Np (H): 84°~31°/ (V): 62°~24°/ (D):110°~38°	Power Input/ Operating Temperature	VD-300Np/VD-302Np 802.3 af POE/ DC12V 1A -20°C ~ 60°C (-4°F ~140°F) 802.3at PoE Plus(build in fan and heater): -40°C ~ 60°C (-40°F ~140°F) VD-300Np V5/VD-302Np V5 802.3 af POE/ DC12V 1A /AC 24V: -20°C ~ 60°C (-4°F ~140°F) 802.3at PoE Plus(build in fan and heater): -40°C ~ 60°C (-40°F ~140°F)
Day & Night ICR	Triggered by Light sensor, Scheduling, Digital Input	Max. Power Consumption	DC12V 1A VD-300Np: 10 Watts / VD-302Np: 8 Watts DC12V 1A/AC 24V VD-302Np V5: 10.5 Watts DC12V 1.5A/AC 24V VD-300Np V5: 12.5 Watts 802.3 af POE VD-300Np: 12.5 Watts/ VD-300Np V5: 15 Watts VD-302Np: 10 Watts/ VD-302Np V5: 12.5 Watts 802.3at PoE Plus VD-300Np: 25 Watts/ VD-300Np V5: 27.5 Watts VD-302Np: 23 Watts/ VD-302Np V5: 25 Watts
Local Storage	Built-in SD/SDHC/SDXC Max.64G Memory Card Slot	Environment	Water Proof: IP67 Operating Humidity : 10% ~ 80%
Video		Dimension	113.75 (D) mm X 144.25(H) mm
Compression Streaming	H.264 / MPEG4 / MJPEG Simultaneous multiple streams	Weight	860g/1.90lb
Video Setting	Multi-Profile Image Management: Day/ Night/ Sunset/ User 1/ User 2 Auto Exposure Control Manual Exposure Control: 1/10000~1/5s Manual Gain Control: 1X ~ 32X Manual White Balance Control: 2000K~7000K	Housing	Weather-proof (IP67) Vandal-proof (IK10)
S/N Ratio	>50 dB	Certification	FCC, CE, IK10
Image Resolution	3M : 2048x1536 @ 20fps 2M (Full HD): 1920x1080 @ 30fps 1M : 1280x720 @ 30fps	Viewing System Requirements	OS: Microsoft Windows 8/7/Vista/XP/2000 Browser: Mozilla Firefox, Internet Explorer 7/8 or above, Safari, Google Chrome Cell Phone: 3GPP player Real Player: 10.5 or above Quick Time: 6.6 or above VLC
Events and Alarm Management		Warranty	Limited 2-year warranty
Events	Motion Detection/ Schedule/ Audio Detection/ Digital Input/ Temperature Alarm(*)/ Auto Focus Shift for Day & Night(**) *VD-300Np V5 and VD-302Np V5 only **VD-300Np V5 Only		
Alarm	Stream/Snapshot to FTP/Email/Samba/SD-Card HTTP/Email Notification/ Digital Output		

Work Best With

Camera Accessories Options



L-WM-01
Camera Bracket



POE30U *
High Power PoE Injector

Network Equipment Options



PS-588I
8-port 10/100M PoE Fast Ethernet Switch



PS-7242IL-AF
24-port 10/100M PoE Web Smart Ethernet Switch