

N-Series Superior Night Vision 3 Megapixel Bullet Network Camera

OB-300Np Series

HDTV 1080p/720p • 3M/2M/1.3M Resolution Supported

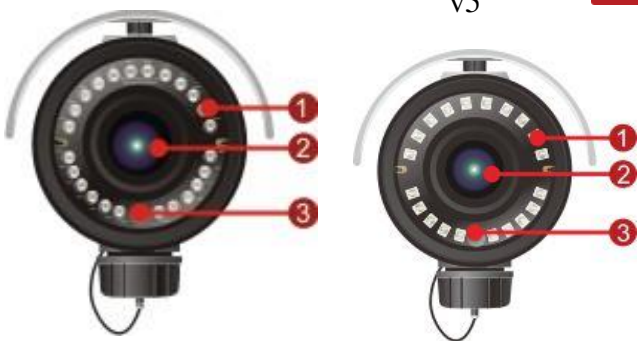


- N-Series Sony Exmor 3M Outdoor Bullet Camera
- Brickcom WDR Enhancement® Technology inside
- **SmartFocus®** to Ease the Zoom and Focus Adjustment Remotely (*)
**The feature is for OB-300Np/OB-300NpV5 **
- **FocusEasy™** to Ease the Focus Adjustment via the Buzzer for notification (*)
**The feature is for OB-302NpV5 **
- Motorized Lens / Vari-Focal Lens for Variable Needs
- HDTV Quality (Full HD 1080p @ 30fps Streaming)
- **Intelligent Multi-Profile Sensor Management®** for Different Environments
- Removable IR-cut Filter /Auto Light Sensor for Day and Night
- IP67 Outdoor Enclosure Built-in Fan (-40°C ~ 60°C) and Heater
- Built-in 3G module and SIM slot for Wireless Connectivity (*)
**The feature is for GOB-300Np / GOB-300NpV5 **
- Built-in IR Illuminators, effective up to 25 Meters
- Two-way Audio/Built-in Micro SD/SDHC Memory Card Slot for Local Storage
- 1 DI/DO for External Alarm and Sensor Device/ TV out Connector Supported

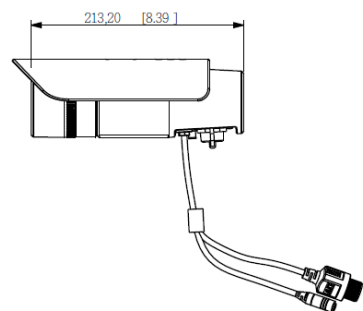
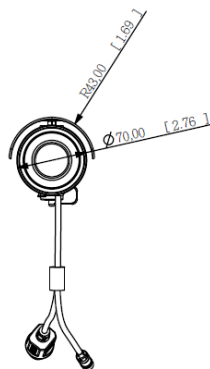
Photo Indication & Dimension Diagram



v5



- 1 IR LED
 - 2 LENS
 - 3 Light Sensor
 - 4 RJ45 Connector 1 (For Ethernet, 802.3at PoE and 802.3af PoE)
 - 5 DC12V/ AV24V Connector(*)
 - 6 Antenna Connector
 - 7 RJ45 Connector 2 (For Audio in/out, RS485, DI/DO)
- (*)- V5 only



Camera		Events and Alarm Management	
Models	OB-302Np/OB-302Np V5: 3M, Vari-Focal Lens OB-300Np/OB-300Np V5: 3M, Motorized Lens WOB-300Np/WOB-300N V5: 3M, Motorized Lens, Wireless GOB-300Np/GOB-300Np 3M, Motorized Lens, 3G	Events	Motion Detection/ Schedule/ Audio Detection/ Digital Input/ Temperature Alarm(*)/ Auto Focus Shift for Day & Night(**) *OB-300Np V5/OB-302Np V5 Only **OB-300Np V5 Only
Hardware System	CPU: 533 MHz Flash: 32M RAM: 256M DDR	Alarm	Stream/Snapshot to FTP/Email/Samba/SD-Card HTTP/Email Notification/ Digital Output
Image Sensor	Sensor Type : 1/2.8" 3M Sony Exmor Megapixel sensor Sensor Resolution : 2048 x 1536 pixel	Audio	
Lens	Lens Type: Board Lens IRIS: F1.4 OB/WOB/GOB-300Np & B/WOB/GOB-300Np V5 & OB-302N V5: Focal Length: 3mm~10.5mm View Angle: (H°/V°/D°) (H)98°~32°(V)/72°~24°/(D) 128°~40° OB-302N: Focal Length: 3.3mm~10.5mm View Angle: (H°/V°/D°) (H)84°~31°(V)/62°~24°/(D)110°~38°	Audio Streaming	2-way Audio Support
Local Storage	Built-in Micro SD/SDHC/SDXC Max.64G Memory Card Slot	Audio Compression	G.711, AMR (8 kHz, Mono, PCM)
Day & Night ICR	Triggered by Light sensor, Scheduling, Digital Input	Audio Input/ Output	Line input (Unbalanced, 1.4 Vp-p, 1 Vrms) / Line output
Minimum Illumination	OB/WOB/GOB-300Np & OB-300Np & OB/WOB/GOB-302Np V5: 0 Lux (IR ON, B/W) 0.001 Lux (IR OFF, B/W) 0.002 Lux(F1.4,Color) OB-302Np V5: 0 Lux (IR ON, B/W) 0.002 Lux (IR OFF, B/W) 0.003 Lux(F1.4,Color)	General	
IR Illuminators	Built -In IR Illuminators, OB/WOB/GOB-300Np & OB-302Np: effective up to 15 meters IR LED: 24pcs OB/WOB/GOB-300Np V5 & OB-302Np V5: effective up to 25 meters IR LED:20pcs	Communication	Ethernet : one 10/100Mbps RJ-45 IEEE 802.11a/b/g/n compliance WOB-300Np/WOB-300Np V5 HSUPA/UMTS 850/1900/2100 GOB-300N/GOB-300Np V5 Supported Protocols : TCP/IP, UDP, ICMP, DHCP, NTP, DNS, DDNS, SMTP, FTP, HTTP, Samba, PPPoE, UPnP, RTP, RTSP, RTCP, IPv6
Video		Power Input	DC12V 1A* / 802.3af PoE 802.3at PoE/ DC48V 0.8A* (*)- V5 only
Compression Streaming	H.264 / MPEG4 / MJPEG Simultaneous multiple streams	Power Input/ Temperature/ Environment	Operating Temperature: DC12V 1A / 802.3af PoE: -20°C ~ 60°C (-4°F ~140°F) 802.3at PoE/ DC48V 0.8A: (build in fan and heater): -40°C ~ 60°C (-40°F ~140°F) Operating Humidity: 10% ~ 80%
Video Setting	Multi-Profile Image Management: Day/ Night/ Sunset/ User 1/ User 2 Auto Exposure Control/Gain/ White Balance Control Manual Exposure Control: 1/10000~1/5s Manual Gain Control: 1X ~ 15X	Max. Power Consumption	OB-302Np & OB-302Np V5 7.6 Watts (PoE 802.3af, IR on) 7.8 Watts (PoE 802.3at, IR on) 18.2 Watts (PoE 802.3at, IR&Heater&Fan on) OB-300Np/WOB-300Np/GOB-300Np & OB-300Np/WOB-300Np/GOB-300Np V5 8.6 Watts (PoE 802.3af, IR on) 8.4 Watts (PoE 802.3at, IR on) 18.2 Watts (PoE 802.3at, IR&Heater&Fan on)
S/N Ratio	Above 50dB	Dimension	70(D) * 166(H) mm
Image Resolution	3M : 2048x1536 @ 20fps 2M (Full HD): 1920x1080 @ 30fps 1M (HDTV): 1280x720 @ 30fps	Weight	OB-300Np/OB-302Np & OB-300Np V5/OB-302Np V5 Net: 1100 g/2.43lb W/GOB-300Np & W/GOB-300Np V5 Net: 1110 g/2.45lb
		Housing	Weather-proof (IP67)
		Certification	FCC, CE
		Viewing System Requirements	OS: Microsoft Windows 7/Vista/XP/2000 Browser: Mozilla Firefox, Internet Explorer 6/7 or above, Safari, Google Chrome Cell Phone: 3GPP player Real Player: 10.5 or above Quick Time: 6.6 or above VLC
		Warranty	Limited 2-year warranty

OB-300N Series	OB-300Np	WOB-300Np	GOB-300Np	OB-302Np
Lens Type	Motorized-Len (SmartFocus®)	Motorized-Lens (SmartFocus®)	Motorized-Lens (SmartFocus®)	Vari-Focal-Lens
Wireless (11a/b/g/n dual band WiFi)	-	✓	-	-
3G/ 4G(WiMAX/LTE)	-	-	✓	-
Operating Temperature; Max. Power Consumption	-20°C ~ 60°C ; 10 Watts (DC12V 1A / 802.3af) -40°C ~ 60°C; 22 Watts(DC48V 0.8A/PoE 802.3at)		-20°C ~ 60°C; 8 Watts (DC12V 1A / 802.3af) -40°C ~ 60°C;20 Watts(DC48V 0.8A/PoE 802.3at)	

OB-300N Series	OB-300Np V5	WOB-300Np V5	GOB-300Np V5	OB-302Np V5
Lens Type	Motorized-Len (SmartFocus®)	Motorized-Lens (SmartFocus®)	Motorized-Lens (SmartFocus®)	Vari-Focal-Lens (FocusEasy™)
Wireless (11a/b/g/n dual band WiFi)	-	✓	-	-
3G/ 4G(WiMAX/LTE)	-	-	✓	-
Operating Temperature; Max. Power Consumption	-20°C ~ 60°C ; 10 Watts (DC12V 1A / 802.3af) -40°C ~ 60°C; 22 Watts(DC48V 0.8A/PoE 802.3at)		-20°C ~ 60°C; 8 Watts (DC12V 1A / 802.3af) -40°C ~ 60°C;20 Watts(DC48V 0.8A/PoE 802.3at)	

Work Best With

Camera Accessories Options



CI-812
Camera Bracket



GEM04-222008A
Wi-Fi Dual Band Omni Antenna



GEM07-15072A
3G Antenna

Network Equipment Options



GEM04-222060
Wi-Fi Dual Band Antenna



POE30U
High Power PoE Injector

Copyright© 2012 Brickcom Corporation. All rights reserved. All other company names and products are trademarks or registered trademarks of their respective companies. We reserve the right to introduce modifications without notice.

Brickcom
info@brickcom.com