

700TVL High Resolution, High Sensitivity. 960H Analog Vandal Dome Camera

The SCV-3083 belongs to the 960H premium WDR analog camera series that provides 700TV lines resolution with user-friendly and value added functions such as a motorised varifocal lens, Day & Night, Privacy Masking, Digital Noise Reduction and Video Analytics (That includes Fixed / Moved, Area, Fence, Tracking, Detection, Counting). The SCV-3083 provides clear images under a variety of challenging environment conditions, making it a perfect and practical solution for anyone looking for a cost effective high performance video surveillance camera.

SCV-3083

Premium Resolution WDR Vandal-Resistant Dome Camera

- High Resolution of 700TV lines (Color, ER mode)
- Min. Illumination 0.1Lux@F1.2 (Color), 0.01Lux (B/W)
- 2.8x motorized V/F Lens (3 ~ 8.5mm)
- WDR, VPS, Simple focus, Day & Night (ICR), SSNRIII
- IP66, Coax : Pelco-C (Coaxitron), Dual power



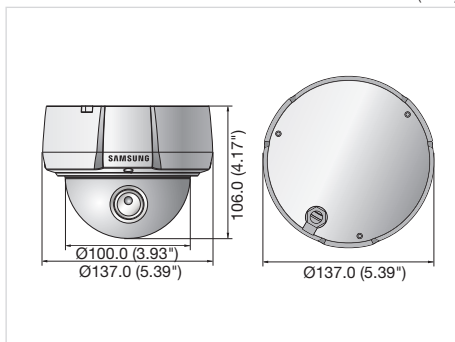
Premium Resolution WDR Vandal-Resistant Dome

SCV-3083



Dimensions

Unit : mm (inch)



Accessories (Optional)



Specifications

	SCV-3083N	SCV-3083P
VIDEO		
Imaging Device	1/3" Super HAD CCD II (Double scan)	
Total Pixels	1,028(H) x 508(V)	1,028(H) x 596(V)
Effective Pixels	976(H) x 494(V)	976(H) x 582(V)
Scanning System	2 : 1 Interlace	
Synchronization	Internal / Line lock	
Frequency	H : 15.734KHz / V : 59.94Hz	H : 15.625KHz / V : 50Hz
Horizontal Resolution	Color : 700TV lines (ER mode), B/W : 700TV lines	
Min. Illumination	Color : 0.1Lux@ F1.2 (50IRE), 0.0006Lux (Sens-up, 512x) B/W : 0.01Lux@ F1.2 (50IRE), 0.00002Lux (Sens-up, 512x)	
S / N Ratio	52dB (AGC off, Weight on)	
Video Output	CVBS : 1.0 Vp-p / 75Ω composite	
LENS		
Focal Length (Zoom Ratio)	3 ~ 8.5mm (2.8x) motorized varifocal	
Max. Aperture Ratio	F1.2	
Angular Field of View	H : 105.5°(Wide) ~ 37.1°(Tele) / V : 57.5°(Wide) ~ 21°(Tele)	
Min. Object Distance	0.5m (1.64ft)	
Focus Control	Simple focus / Manual, Botton control (Manual, Simple focus, Day & Night)	
Lens Type	DC auto iris	
Mount Type	Board type	
PAN / TILT		
Pan Range	0° ~ 352°	
Tilt Range	0° ~ 73°	
Rotate Range	0° ~ 348°	
OPERATIONAL		
On Screen Display	English, Japanese, Spanish, French, Portuguese, Korean	English, French, German, Spanish, Italian, Chinese, Russian, Polish, Czech, Romanian, Serbian, Swedish, Danish, Turkish, Portuguese
Camera Title	Off / On (Displayed 15 characters)	
Day & Night	Auto (ICR) / External / Color / B/W	
Backlight Compensation	Off / User BLC / HLC / WDR	
Wide Dynamic Range	128x (52dB)	160x (54dB)
Contrast Enhancement	SSDR (Off / On)	
Digital Noise Reduction	SSNR III (Off / On)	
Digital Image Stabilization	Off / On	
Motion Detection	Built-in (in INTELLIGENCE menu)	
Privacy Masking	Off / On (12 programmable zones)	
Sens-up (Frame Integration)	2x ~ 512x	
Gain Control	Off / Low / High	
White Balance	ATW / Outdoor / Indoor / Manual / AWC (1,700°K ~ 11,000°K)	
Electronic Shutter Speed	1/60 ~ 1/120,000sec	1/50 ~ 1/120,000sec
Digital Zoom	Off / On (1x ~ 16x)	
Reverse	Off / H-Rev / V-Rev / HV-Rev	
Profile	Basic / Day & Night / Backlight / ITS / Indoor / User	
VPS	Off / On	
Intelligent Video Analytics	Fixed / Moved, Area, Fence, Tracking, Detection, Counting	
PIP	Off / On	
Alarm	1 Out	
Communication	Coaxial control (SPC-300 compatible)	
Protocol	Coax : Pelco-C (Coaxitron)	
ENVIRONMENTAL		
Operating Temperature / Humidity	-10°C ~ +55°C (+14°F ~ +131°F) / Less than 90% RH	
Ingress Protection	IP66 grade	
ELECTRICAL		
Input Voltage / Current	Dual (24V AC & 12V DC ±10%)	
Power Consumption	0.35A	
MECHANICAL		
Color / Material	Ivory / Aluminum, Plastic (Dome cover : Clear)	
Dimensions (WxH)	Ø137.0 x 106.0mm (Ø5.39" x 4.17")	
Weight	749g (1.65 lb)	



The Eco mark represents Samsung Techwin's will to create environment-friendly products, and indicates that the product satisfies the EU RoHS Directive.

Design and specifications are subject to change without notice.

■ DISTRIBUTED BY



SAMSUNG TECHWIN CO., LTD.

6, Pangyo-ro 319beon-gil, Bundang-gu, Seongnam-si, Gyeonggi-do, SEOUL 463-400 Rep. of KOREA
Tel : +82-70-7147-8741~8749, 8752~8760 Fax : +82-31-8018-3745 www.samsungsecurity.com www.samsungcctv.com

SAMSUNG TECHWIN AMERICA Inc.

100 Challenger Rd, Suite 700 Ridgely Park, NJ 07660
Toll Free : +1-877-213-1222 Direct : +1-201-325-6920
Fax : +1-201-373-0124

SAMSUNG TECHWIN EUROPE LTD.

2nd floor No5, The Height, Brookland, Weybridge, Surrey, U.K.
KT13 0NY
Tel : +44-1932-82-6700 Fax : +44 1932 82 6701

SHANGHAI SAMSUNG TECHWIN CO., LTD.

32F, Blk B, International Business Center,
No. 391 Guiping Rd., Shanghai, China, 200233
Tel : +86-21-5427-1155 Fax : +86-21-5423-5122



SAMSUNG TECHWIN