

# SNC-ZP550

Hybrid PTZ HD Camera

**SONY**  
make.believe

## High-quality 720p HD Hybrid PTZ Camera

- IPELA HYBRID™ — Sony IP and analog-over-coax technology\*1
- Excellent 720p HD picture quality (1280 x 720 maximum resolution), supporting H.264 at 30 fps (IP)
- Three codecs (H.264, MPEG-4, JPEG) and dual streaming capability\*6
- Powerful 28x optical zoom capability
- High speed 340° pan, +15 degree above horizon tilt



### KEY FEATURES

- Simultaneous transmission of IP HD video and analog SD video\*2
- Maximum cable length of 1,000 feet (300 m) with an RG-59 coaxial cable\*3
- The Exmor™ CMOS sensor delivers high quality images with low noise
- 28x optical and total zoom ratio of 336x with 12x digital zoom
- Pan/Tilt Angle — the SNC-ZP550 affords a 340° field of rotation and an above horizon tilt of 15°
- DynaView™ — Wide-D technology to capture high-contrast scenes and produce clear images even under challenging lighting conditions

**Exmor™**



**DynaView**

- True Day/Night function to switch to Day or Night mode depending on the light level
- Powered by HPoE for simple installation
- SD memory card slot for an on-board recording capability\*4\*5

- DEPA™ Intelligent Video analytics enables cameras to send not only video images, but related metadata, including object data (size and position) to the DEPA-enabled recorder. Since part of the image processing is done on the camera side, the load to the recorder can be reduced enabling camera expansion
- Smartphone viewer for accessing the camera from a smartphone
- ONVIF™ (Open Network Video Interface Forum) Version 1.02 software that ensures greater interoperability and more flexibility in building multiple-vendor systems



\*1 Sony IP and analog-over-coax technology is developed based on Intersil's SLOC™ (Security Link Over Coax) technology.

\*2 For output of IP and analog signals from its SLOC port, the camera must be connected to a SLOC-compatible device via a coaxial cable. The output analog image may not display correctly, depending on the video format and image size settings. For details please contact your nearest Sony office.

\*3 Cable length varies according to cable grade and quality.

\*4 The on-board recording function, the intelligent motion detection function, and the tamper alarm function cannot be used simultaneously.

\*5 Data recorded on an SD memory card may be lost or damaged by data access during power-off, mechanical shock, memory card detachment, or other operations. Data loss or damage can also occur when a memory card reaches end of life, which varies according to operational conditions. No guarantee is given against damage (including passive damage).

\*6 Dual streaming is only available when SLOC is OFF.

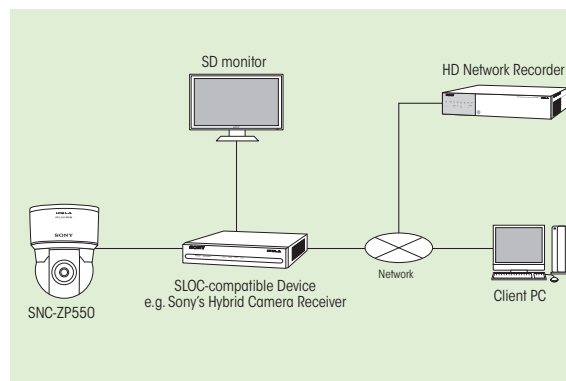
## SPECIFICATIONS

SNC-ZP550	
<b>Camera</b>	
Image sensor	1/4-type Exmor CMOS sensor
Number of effective pixels	Approx. 1.43 Megapixel
Signal system	NTSC color system/PAL color system (switchable)
Minimum illumination	Color: 1.00 lx, B/W: 0.10 lx (F1.35, shutter 1/30 s, AGC ON, 50 IRE [IP])
Gain	Auto/Manual (-3 dB to 28 dB)
Shutter speed	1/1 s to 1/10,000 s
Exposure control	Full auto, Shutter priority, Iris priority, Manual
White balance	Auto, ATW, Advanced Auto, Indoor, Outdoor, One-push, Manual, Sodium vapour lamp
Lens	Auto-focus zoom lens
Zoom ratio	Optical zoom 28x, Digital zoom 12x, Total zoom 336x
Horizontal viewing angle	55.9° to 2.1°
Focal length	f = 3.5 mm to 98 mm
F-number	F1.35 (Wide), F3.7 (Tele)
Minimum object distance	10 mm (wide) to 1500 mm (tele)
Par/Tilt angle	340° field of rotation / tilt angle of 105°
Par/Tilt speed	300°/s (max)
Preset position	256
Tour	5
<b>Camera Features</b>	
Day/Night	Yes, true day/night
Wide-D	Yes (DynaView Technology)
Noise reduction	Yes
<b>Image</b>	
Codec image size (H x V)	1280 x 720, 1024 x 576, 800 x 600, 800 x 480, 768 x 576, 720 x 576, 704 x 576, 720 x 480, 640 x 480, 640 x 368, 384 x 288, 320 x 240, 320 x 192
Video compression format	H.264, MPEG-4, JPEG
Codec streaming capability	Dual streaming*1 (Any combination with H.264/MPEG-4/JPEG, including multiple streams of the same format)
Maximum frame rate	30 fps (H.264, MPEG-4, JPEG) at 1280 x 720
Composite video output	Yes, when SLOC switch is off
<b>Scene Analytics</b>	
Intelligent motion detection	Yes
<b>Network</b>	
Protocols	IPv4, IPv6, TCP, UDP, ARP, ICMP, IGMP, HTTP, HTTPS, FTP (client/server), SMTP, DHCP, DNS, NTP, RTP/RTCP, RTSP, SNMP (MIB-2)
ONVIF software	Yes (version 1.02)
Number of clients	5
Authentication	IEEE802.1X
<b>Interface</b>	
Video out (SLOC OFF)	BNC x1 (Video out: 1.0 Vp-p, 75 ohms, unbalanced, sync negative)
Line output	Mini-jack (monaural), Max output level: 1 Vrms
Network port	10BASE-T/100BASE-TX (RJ-45)
Sensor input	x2, make contact, break contact
Alarm output	x1, 24 V AC/DC, 1 A (mechanical relay outputs electrically isolated from the camera)
Microphone input	Mini jack (monaural)
Card slots	SD/SDHC card x1
<b>System Requirements</b>	
Operating system	Microsoft Windows XP® (32 bit), Windows Vista® (32 bit), Windows 7® (32 bit/64 bit)
Processor	Intel Core2 Duo 2 GHz or higher
Memory	1 GB or more
Web browser	Microsoft Internet Explorer® Ver. 6.0, Ver. 7.0, Ver. 8.0 Firefox® Ver. 3.5 (plug-in free viewer only) Safari® Ver. 4.0 (plug-in free viewer only) Google® Chrome Ver. 4.0 (plug-in free viewer only)
<b>General</b>	
Power requirements	HPoE (IEEE802.3at compliant, LAN mode only)*2, AC 24 V
Power consumption	25.0 W max.
Operating temperature	23 °F to 122 °F (-5 °C to +50 °C)
Starting temperature	32 °F to 122 °F (0 °C to +50 °C)
Storage temperature	-4 °F to +140 °F (-20 °C to +60 °C)
Operating humidity	20% to 80%
Storage humidity	20% to 95%
Vandal resistant	No
Dimensions (W x H x D)	ø5 7/8 inches x 7 5/8 inches (147.4 mm x 190.9 mm)
Weight	Approx. 3 lb 12 oz (1.7 kg), including the ceiling bracket
Safety regulations	JATE Technical standard (LAN), UL2044, IEC60950-1 (CB) VCCI (Class A), FCC (Class A), IC (Class A) Emission: EN55022 (Class A) + EN50130-4 Immunity: EN55022 (Class A) + EN55024 Emission: AS/NZS CISPR22 (Class A)
Supplied accessories	CD-ROM (User's guide, supplied programs) (1), Installation manual (1 set), Ceiling bracket (1), Screws (2), Template (1), 24 V AC Connector (1), I/O connector (1)

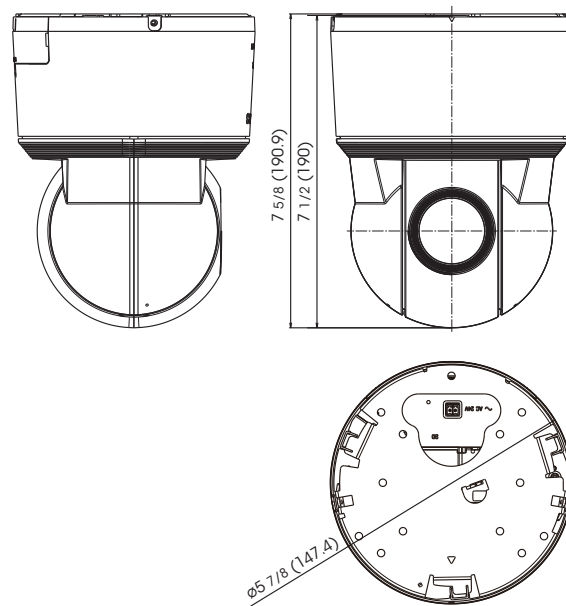
\*1 Dual streaming is not available when an analog video signal is output from the SLOC port.

\*2 HPoE is available when the camera is connected to HPoE-compatible equipment via an Ethernet cable.

## SYSTEM CONFIGURATION



## DIMENSIONS



Unit: inches (mm)