

DH-CA-F581EP/N-A

700TVL Day/Night WDR Camera



Model

DH-CA-F581EP-A: 700TVL, WDR, ICR Day/Night, OSD, PAL

DH-CA-F581EN-A: 700TVL, WDR, ICR Day/Night, OSD, NTSC

Features

- > 1/3" SONY Super HAD CCD II & Effio-P DSP
- > High resolution of 700TVL(Color), 750TVL(B/W)
- > Mini. Illumination of 0.001Lux@F1.2(Color), 0.0001Lux@F1.2(B/W)
0.0001Lux@F1.2(Color), 0.00001Lux@F1.2(B/W) (Slow shutter, 512x)
- > Wide Dynamic Range(WDR) up to 500x
- > Slow shutter up to 512x, PAL/NTSC(10s/8s)
- > ICR true Day/Night
- > 2D/3D- NR, AWB, AGC, BLC, HLC, ATR-EX, MD, DZOOM, DIS, Privacy Mask, Picture Adjust
- > Powerful OSD operational function
- > Support RS-485 control
- > Dual power AC24V/DC12V

DH-CA-F581EP/N-A

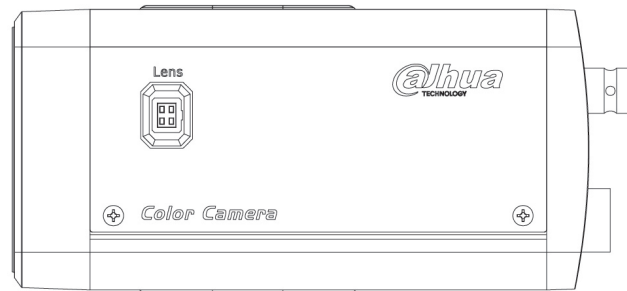
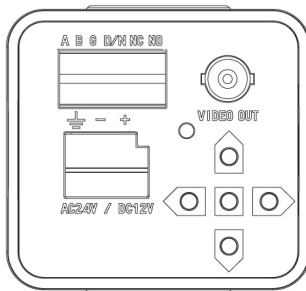
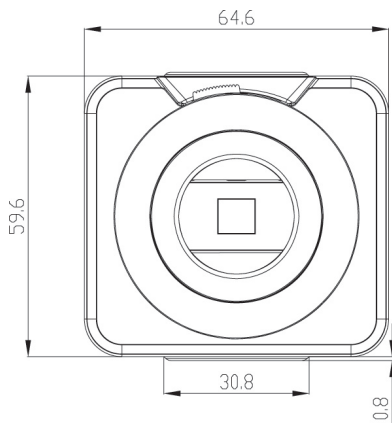
Specifications

Model	DH-CA-F581EP-A	DH-CA-F581EN-A
Camera		
Image Sensor	1/3" Super HAD CCD II	
Video Format	PAL	NTSC
Effective Pixels	976(H) x 582(V), 570K pixels	976(H) x 494(V), 480K pixels
Horizontal Resolution	Color: 700TVL, B/W: 750TVL	
Mini. Illumination	Color: 0.001Lux@F1.2, 0.0001Lux@F1.2(Slow shutter, 512x)	
	B/W: 0.0001Lux@F1.2, 0.00001Lux@F1.2(Slow shutter, 512x)	
Electronic Shutter	Auto: 1/50s~1/100,000s, 10s~1/100,000s@(Slow shutter, 512x) Manual: 1/50s, 1/120s, 1/250s, 1/500s, 1/1000s, 1/2000s, 1/4000s, 1/10,000s	Auto: 1/60s~1/100,000s, 8s~1/100,000s@(Slow shutter, 512x) Manual: 1/60s, 1/100s, 1/250s, 1/500s, 1/1000s, 1/2000s, 1/4000s, 1/10,000s
Synchronization	Internal / Line lock	
S/N Ratio	>60dB	
Video Output	1Vp-p Composite Output (75Ω/BNC)	
Lens		
Lens Type	Manual / Auto Iris	
Mount Type	C / CS	
Operational(OSD)		
Lens	Manual / DC / Video	
WDR	Off / On (500x)	
Shutter / AGC	Auto / Manual	
White Balance	ATW / Push / User 1 / User 2 / ANTI CR / Manual / Push lock	
Backlight	Off / BLC / HLC	
Picture Adjust	Mirror / Brightness / Contrast / Sharpness / Hue / Gain	
ATR-EX	Off / On (Contrast)	
Motion Detect	Off / On (Sensitivity / Block display / Area selection)	
Privacy	Off / On (Area selection / Color / Transparent / Mosaic)	
Day/Night	Auto (ICR) / B/W / Color	
Noise Reduction	Off / 2D / 3D	
Digital zoom	Magnitude / Position	
DIS	Off / On	
Camera ID	Off / On (Character / Position)	
Language	English, Chinese	
General		
Communication	RS-485	
Power Supply	AC24V±10% / DC12V±10%	
Power Consumption	Max 6W	
Working Temperature	-10°C~+60°C	
Dimension	131.3mm x 64.6mm x 61.2mm	

DH-CA-F581EP/N-A

Weight	500g
--------	------

Dimensions (mm)



Dahua Technology Co., Ltd.

1187 BinAn Road, Binjiang District, Hangzhou, China

Tel: +86-571-87688883

Fax: +86-571-87688815

Email: overseas@dahuatech.com

www.dahuatech.com

*Design and specifications are subject to change without notice.

© 2011 Dahua Technology Co., Ltd.