

## GKB Diplomat™ D3822 IP Camera

Self-Networking 1.3 Megapixel IP Camera

GKB Diplomat™ D3822 is a professional 1.3 Megapixel IP camera which covers wider range and provides much clearer images than traditional analog cameras.

It is also the world's first High Definition network camera to feature automated self-networking for fast network set-up and installation.

### Features:

- **1.3 Megapixel CMOS Sensor**

GKB Diplomat™ D3822 is a professional 1.3 Megapixel IP Camera and provides SXGA resolution. One GKB Diplomat™ D3822 covers the resolution over 4 times of D1 resolution analog cameras.

- **H.264 Video Compression**

GKB Diplomat™ D3822 features H.264 video compression for superior video resolution. The low bit-rate of H.264 codec makes for smoother video streaming, even under the most unfavorable of network environments.

- **Digital Zoom Function**

GKB Diplomat™ D3822 features 1.3 Megapixel high resolution. Bundled GKB Envoy™ software which provides Digital Zoom Function, users are able to see clear live view image in all surveillance area by using few cameras.

- **Automated Self-Networking**

GKB Diplomat™ D3822 is a self-networking IP camera that eliminates the need for complicated and time-consuming router configuration. Bundled GKB Envoy™ software reduces network set-up to less than 30 seconds.

- **Cloud Platform**

Cloud platform framework brings IP solution to a new level. The IP cameras are managed by account and password. The live image and playback can display anytime anywhere via the IE browser, without any extra software installed.

- **Micro-SD Card Storage**

GKB Diplomat™ D3822 is equipped with a Micro-SD card slot. The video is recorded locally in the Micro-SD card, and can be retrieved easily remotely by IE browser without taking out the Micro-SD card.



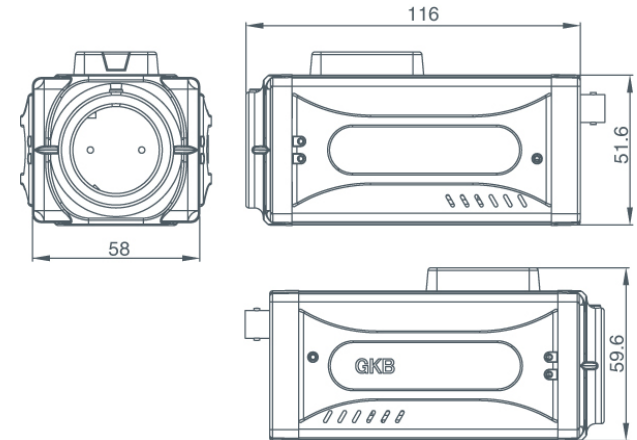
### Alternate Views



# GKB Diplomat™ D3822 IP Camera

Video	Image Sensor	1/3" Megapixel CMOS Sensor	
	Video Compression	H.264	
	Video Streams	8	
	Resolution	SXGA(1280*1024),VGA,QVGA	
	Frame Rate	Up to SXGA, 15 fps	
	Min. Illumination	0.5 Lux at F1.0 (2400 °K, 30 IRE)	
	S/N Ratio	>44dB	
	Scanning System	Progressive	
	Shutter Control	1/5~1/15,000 sec Electronic rolling shutter(ERS)	
	Night Mode	Auto	
	Auto Gain Control	Auto	
	Back Light Control	Auto	
	White Balance	Auto / Manual(by remote software)	
Power	Power Supply	12V DC	
	Power Consumption	3.5W	
Audio	Audio Streaming	2 way, GSM Encoder 13 kbits/s	
	Audio Input / Output	Audio in: Line Level Input 50Hz-20KHZ 0.7Vp-p, or Built-in Microphone/ Audio out: Line Level Output : Speaker 8 ohm 330mW	
I/O Interface	Serial Interface	RS-485, Baud Rate9600,ID1	
	DI/DO	DIx1, 12V~24V DC DOx1, 30V DC-1A or 125V AC-0.5A	
Storage	Micro SD Card up to 32GB (Enable Remote Site Playback)		
Lens	4.2mm; 6mm Board Mega Pixel Lens; 3.5-8mm Vari-focal Megapixel Lens		
Dimension	116(L) * 58(W) * 60(H)mm (Lens included)		
Weight	0.45 Kg		
Operating Temperature	-10°C ~60°C		

Dimension (mm)



Networking	Protocol	HTTP,TCP,UDP,DNS,DHCP,PPPoE, Samba,RTP,RTCP,RTSP	
	Ethernet	10/100Mbps Fast Ethernet RJ-45 port	
Software	Operating System	Windows XP and above	
	Software Package	NVR-10: 64 Channel NVR NAS & SD Card Remote Playback Supported	Viewer-10 Setup Software Utility