

GKB Diplomat™ D8722 IP Camera

Self-Networking Weatherproof Megapixel IP Camera with Infrared

GKB Diplomat™ D8722 is a professional 1.3 Megapixel IP camera which covers a wider range and provides much clearer images than traditional analog cameras. It is also the world's first High Definition network camera to feature automated self-networking for fast network set-up and installation.

Features:

- **1.3 Megapixel CMOS Sensor**

GKB Diplomat™ D8722 is a professional 1.3 Megapixel IP Camera providing SXGA resolution. One GKB Diplomat™ D6122 covers over 4 times the resolution of D1 analog cameras.

- **H.264 Video Compression**

GKB Diplomat™ D8722 features H.264 video compression for superior video transmission and economy of storage. The low bit-rate of the H.264 codec makes for smoother video streaming, even under the most unfavorable of network environments.

- **Digital Zoom Function**

GKB Diplomat™ D8722 features bundled GKB Envoy™ software which provides Digital Zoom Function, users are able to see clear live images in all surveillance areas by using fewer cameras.

- **Automated Self-Networking**

GKB Diplomat™ D8722 is a self-networking IP camera that eliminates the need for complicated and time-consuming router configuration. Bundled GKB Envoy™ software reduces network set-up to less than 30 seconds.

- **Cloud Platform**

Cloud platform framework brings this IP solution to a new level. The IP cameras are managed by account and password. The live image and playback can display anytime anywhere via the IE browser, without any extra software installed.

- **Micro-SD Card Storage**

GKB Diplomat™ D8722 is equipped with a Micro-SD card slot. The video is recorded locally in the Micro-SD card, and can be retrieved remotely by IE browser without removing the Micro-SD card.



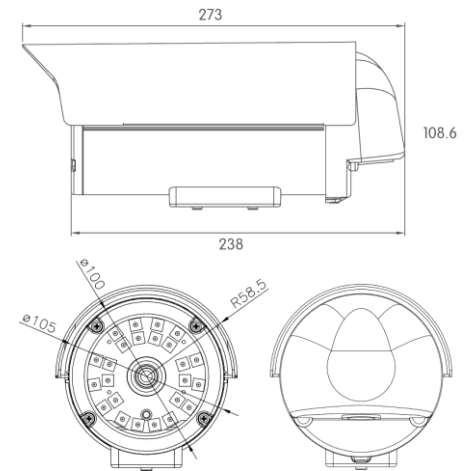
Alternate Views



GKB Diplomat™ D8722 IP Camera

Video	Image Sensor	1/3" Megapixel CMOS Sensor	
	Video Compression	H.264	
	Video Streams	8	
	Composite Video Output	YES	
	Resolution	SXGA(1280*1024),VGA,QVGA	
	Frame Rate	Up to SXGA, 15 fps	
	Min. Illumination	0.1 Lux	
	S/N Ratio	>44dB	
	Shutter Control	1/5~1/15,000 sec Electronic rolling shutter(ERS)	
	Night Mode	Auto (Phototransistor Sensor)	
	Auto Gain Control	Auto	
	Back Light Control	Auto	
	White Balance	ATW/ Manual (by remote software)	
	Infrared LED	Quantity	24
Peak Wavelength		850nm	
Radiant Distance		30 meters	
IR LED ON		Under 3-5 Lux	
Power	Power Supply / Consumption	12V DC / 6.6W	
	Audio Streaming	Two-way Audio	
Audio	Audio Input / Output	Audio in: Line Level Input / Audio out: Line Level Output : Speaker 8 ohm 330mW	
	Utility	DIx1, 12V~24V DC DOx1, 30V DC-1A or 125V AC-0.5A	
Ingress Protection Rating	IP66		
Storage	Micro SD Card up to 32GB (Enable Remote Site Playback)		
Lens	6mm Board Mega Pixel Lens		
Dimension / Weight	273 (L) * 108.6(H) * 100(Φ)mm / 1.1 Kg		
Ingress Protection Rating	IP66		
Operating Temperature	-10°C to +60°C		
Optional Model	PoE (Power over Ethernet)		
Networking	Protocol	HTTP,TCP,UDP,DNS,DHCP,PPPoE, Samba,RTP,RTCP,RTSP	
	Ethernet	10/100Mps Fast Ethernet RJ-45 port	
Software	Operating System	Windows XP and above	
	Software Package (Included)	NVR-10: 64 Channel NVR	Viewer-11
		NAS & SD Card Remote Playback Supported	Setup Software Utility

Dimension (mm)



Optional Accessories



GKB HD914