

HD in CCTV

1.3Megapixel HD Network Dome Camera



1.3Megapixel HD Network Dome Camera

SND-5080/5080F

The SND-5080/5080F is an ONVIF compliant 1.3Megapixel HD Network Dome Camera that incorporates Samsung's WiseNet DSP chipset. This camera is capable of displaying multiple resolutions from CIF (320 x 240) through to 16:9 format 720p full HD and up to 1.3 megapixel (1280 x 1024). The SND-5080 provides up to 10 video streams and offers H.264, MPEG-4, MJPEG. The SND-5080 Series cameras feature video analytics such as virtual line, scene changes, object detection.

- Max. 1.3M (1280 x 1024) resolution
- 16 : 9 HD (720p) resolution support
- 2.8 ~ 10mm (3.6x) Vari-focal lens
- H.264, MPEG-4, MJPEG multiple codec
- PoE, SD memory, bi-directional audio support

1.3Megapixel HD Network Dome Camera

SND-5080/5080F



SND-5080

SND-5080F

Specifications

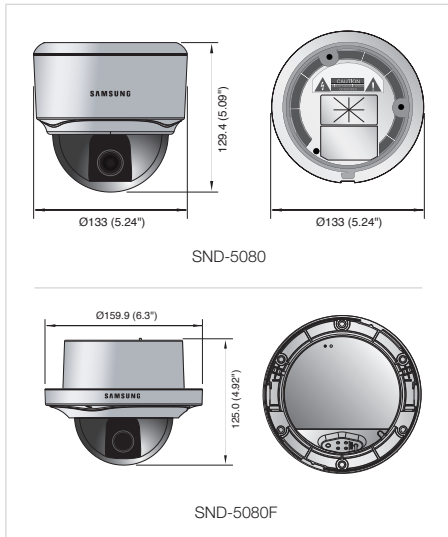
SND-5080(F)N/P



VIDEO	
Imaging Device	1/3" 1.3M PS CMOS
Total Pixels	1,384(H) x 1,076(V)
Effective Pixels	1,329(H) x 1,049(V)
Scanning System	Progressive
Min. Illumination	Color : 0.3Lux (F1.2, 50IRE), 0.005Lux (Sens-up 60x) B/W : 0.01Lux (F1.2, 50IRE), 0.0002Lux (Sens-up 60x)
S / N Ratio	50dB
Video Output	CVBS : 1.0 Vp-p / 75Ω composite, 704 x 480(N), 704 x 576(P), for installation
LENS	
Focal Length (Zoom Ratio)	2.8 ~ 10mm (3.6x) Vari-focal
Max. Aperture Ratio	F1.2
Angular Field of View	H : 94.6°(Wide) ~ 28.8°(Tele), V : 68.4°(Wide) ~ 21.6°(Tele)
Lens Type	DC auto iris
Mount Type	Board-in type
PAN / TILT / ROTATE	
Pan Range	0° ~ 355°
Tilt Range	0° ~ 90°
Rotate Range	0° ~ 355°
OPERATIONAL	
Camera Title	Off / On (Displayed up to 15 characters)
Day & Night	Auto (ICR) / Color / B/W
Backlight Compensation	Off / BLC / HLC
Contrast Enhancement	SDDR (Samsung Super Dynamic Range) (Off / On)
Digital Noise Reduction	SSNRIII (2D+3D noise filter) (Off / On)
Motion Detection	Off / On (4 programmable zones)
Privacy Masking	Off / On (12 programmable zones)
Sens-up (Frame Integration)	Off / Auto (2x ~ 60x)
Gain Control	Off / Low / Medium / High / Manual
White Balance	ATW / AWC / Manual / Indoor / Outdoor
Electronic Shutter Speed	Auto / A.FLK / Manual (1/30 ~ 30,000sec)
Flip / Mirror	Off / On
Intelligent Video Analytics	Scene change, Virtual line, Enter / Exit, Appear / Disappear
Alarm I/O	Input 1ea / Output 1ea (Relay)
NETWORK	
Ethernet	RJ-45 (10/100BASE-T)
Video Compression Format	H.264, MPEG-4, MJPEG
Resolution	1280 x 1024, 1280 x 720P (HD), 1024 x 768, 800 x 600, 640 x 480, 320 x 240
Max. Framerate	22fps (1280 x 1024), 30fps (720P HD)
Video Quality Adjustment	H.264, MPEG-4 : Compression level, Target bitrate level control MJPEG : Quality level control
Bitrate Control Method	H.264, MPEG-4 : CBR or VBR, MJPEG : VBR
Streaming Capability	Multiple streaming (Up to 10 profiles)
Audio I/O	Mic / Line in, Line out
Audio Compression Format	G.711 u-law
Audio Communication	Bi-directional audio
IP	IPv4, IPv6
Protocol	TCP/IP, UDP/IP, RTP(UDP), RTP(TCP), RTSP, NTP, HTTP, HTTPS, SSL, DHCP, PPPoE FTP, SMTP, ICMP, IGMP, SNMPv1/v2c/v3(MIB-2), ARP, DNS, DDNS, ONVIF
Security	HTTPS(SSL) login authentication, Digest login authentication IP address filtering, User access log
Streaming Method	Unicast / Multicast
Max. User Access	10 users at unicast mode
Memory Slot	SD/SDHC memory slot
ONVIF Conformance	Yes
Webpage Language	English, French, German, Spanish, Italian, Chinese, Korean, Russian, Japanese, Swedish, Danish, Portuguese, Turkish, Polish, Czech, Rumanian, Serbian, Dutch, Croatian, Hungarian, Greek
Web Viewer	Supported OS : Windows XP / VISTA / 7, MAC OS Supported Browser : Internet Explorer 6.0 or Higher, Firefox, Google Chrome, Apple Safari
Central Management Software	NET-i viewer
ENVIRONMENTAL	
Operating Temperature / Humidity	-10°C ~ +50°C (+14°F ~ +122°F) / 20% ~ 80% RH
ELECTRICAL	
Input Voltage	12V DC, 24V AC, PoE (IEEE802.3af)
Power Consumption	Max. 7W
MECHANICAL	
Color / Material	White / Plastic
Dimensions (WxH)	SND-5080 : Ø133.0 x 129.4mm (Ø5.24" x 5.09") SND-5080F : Ø159.9 x 125.0mm (Ø6.3" x 4.92") (Flush mounting type)
Weight	SND-5080 : 523g (1.15 lb), SND-5080F : 650g (1.43 lb)

Dimensions

Unit : mm (inch)



■ DISTRIBUTED BY

