

# Value line 3 Megapixel Network Camera



## 3 Megapixel Full HD Network Camera

# SND-7011

This cost effective 3MP High Definition network camera is a great fit for applications which require high resolution video. The SND-7011 features contrast enhancement and day/night capabilities for challenging lighting conditions, and is equipped with high-end functionalities such as Tampering Detection and Motion Detection.

- Maximum 3 MP resolution (2048 X 1536)
- 3mm fixed lens
- Multiple Streaming
- H.264 & MJPEG dual codec
- Tampering Alarm, Motion Detection
- Privacy Masking, Smart codec(ROI encoding)
- Day & Night (Software)

# 3 Megapixel Full HD Network Camera

# SND-7011

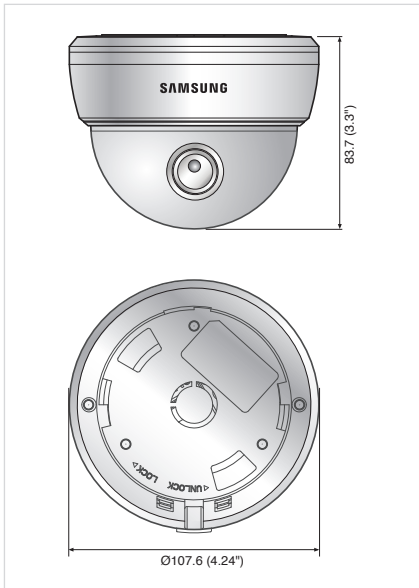


## Specifications

	SND-7011N/P
<b>VIDEO</b>	
Imaging Device	1/2.8" 3M PS CMOS
Total Pixels	2,144(H) X 1,588(V)
Effective Pixels	2,096(H) X 1,561(V)
Scanning System	Progressive
Min. Illumination	Color / B/W : 0.9 Lux (F1.8, 50IRE)
Video Out	CVBS : 1.0 Vp-p / 75Ω composite, 704x480(N), 704x576(P), for installation
<b>LENS</b>	
Focal Length (Zoom Ratio)	3mm Fixed
Max. Aperture Ratio	F2.0
Angular Field of View	H : 101.9°, V : 72.7°, D : 134°
Min. Object Distance	50cm (500mm, 19.69")
Focus Control	Manual
Mount Type	Board-in Type
<b>PAN / TILT / ROTATE</b>	
Pan Range	0° ~ 352°
Tilt Range	0° ~ 90°
Rotate Range	0° ~ 352°
<b>OPERATIONAL</b>	
Camera Title	Off / On (Displayed up to 15 characters)
Day & Night	Auto (S/W) / Color / B/W
Backlight Compensation	Off / BLC
Digital Noise Reduction	SSNR (Off / On)
Motion Detection	Off / On (4 programmable zones, 3M 15fps, 2M 20fps)
Privacy Masking	Off / On (12 rectangular zones)
Sens-up (Frame Integration)	Off / Auto (2x ~ 60x)
Gain Control	Off / Low / Middle / High
White Balance	ATW / AWC / Manual / Indoor / Outdoor
Electronic Shutter Speed	Auto / A.FLK / Manual (1/30 ~ 12,000sec)
Flip / Mirror	Off / On
Intelligent Video Analytics	Tampering (3M 15fps, 2M 20fps)
Alarm I/O	Input 1ea
<b>NETWORK</b>	
Ethernet	RJ-45 (10/100BASE-T)
Video Compression Format	H.264, MJPEG
Resolution	<3M Mode> 2048x1536, 1920x1080P(Full HD), 1600x1200, 1280x1024, 1280x960, 1280x720P(HD), 1024x768, 800x600, 800x450 640x480, 640x360, 320x240, 320x180 <2M Mode> 1920x1080P(Full HD), 1280x1024, 1280x960, 1280x720P(HD), 1024x768, 800x600, 800x450, 640x480, 640x360 320x240, 320x180
Max. Framerate	<3M Mode> H.264 : Max 20fps at all resolutions MJPEG : 800x600 ~ 320x180 - 20fps / 1280x1024 ~ 1920x1080 - 15fps / 2048x1536 - 10fps <2M Mode> H.264 : Max 30fps at all resolutions MJPEG : 800x600 ~ 320x180 - 30fps / 1280x1024 ~ 1920x1080 : 15fps
Smart Codec	Yes (Area Based Method)
Video Quality Adjustment	H.264 : Compression Level, Target Bitrate Level Control MJPEG : Quality Level Control
Bitrate Control Method	H.264 : CBR or VBR*H.264 : CBR or VBR MJPEG : VBR
Streaming Capability	Multiple Streaming (Up to 5Profiles)
IP	IPv4, IPv6
Protocol	TCP/IP, UDP/IP, RTP(UDP), RTP(TCP), RTSP, NTP, HTTP, HTTPS, SSL, DHCP, PPPoE, FTP, SMTP, ICMP IGMP, SNMPv1/v2c/v3(MIB-2), ARP, DNS, DDNS, ONVIF
QoS	On/Off
Security	HTTPS(SSL) Login Authentication, Digest Login Authentication, IP Address Filtering, User access Log 802.1X Authentication
Streaming Method	Unicast / Multicast
Max. User Access	10 users at Unicast Mode
ONVIF Conformance	Yes
Web Language	English, French, German, Spanish, Italian, Chinese, Korean, Russian, Japanese, Swedish, Danish, Portuguese, Turkish, Polish, Czech Rumanian, Serbian, Dutch, Croatian, Hungarian, Greek, Norwegian, Finnish
Web Viewer	Supported OS : Windows XP / VISTA / 7, MAC OS 10.7 or higher Supported Browser : Internet Explorer 7.0 or Higher, Firefox 9 or higher, Google Chrome 15 or higher, Apple Safari 5.1 or higher
Central Management Software	NET-i viewer
<b>ENVIRONMENTAL</b>	
Operating Temperature / Humidity	-10°C ~ +55°C (+14°F ~ +131°F) / Less than 90% RH
Storage Temperature / Humidity	-30°C ~ +60°C / Less than 90%RH
<b>ELECTRICAL</b>	
Input Voltage / Current	12V DC, PoE(IEEE802.3af)
Power Consumption	Max 2.7W (DC 12V), Max 3.3W (PoE)(TBD)
<b>MECHANICAL</b>	
Color / Material	Ivory, Plastic
Dimension (WxHxD)	Ø107.6 x 83.7mm (Ø4.24" x 3.3")
Weight	285g (0.63lb)

## Dimensions

Unit : mm (inch)



Design and specifications are subject to change without notice.

■ DISTRIBUTED BY

